



SMART

C A B I N E T R Y

2010 Cabinet Specifications Guide



LIMITED 5 YEAR WARRANTY

We warrant our products to be free from defect in material and workmanship under normal home use and service for a period of 5 years. Our obligation under this warranty shall be limited to the repair or exchange of any part or parts which may thus prove defective under normal home use and service within the warranty period, and which our examination shall disclose to our satisfaction to be thus defective. This warranty does not cover expenses involved in the removing or installing of any item or product.

This warranty applies only to defects and does not apply to the mellowing and aging of wood products due to photo-degradation of its finished appearance (effect of natural and artificial light to woods and finishes). This warranty only applies to the original purchaser of products at the original site of installation.

This warranty shall not apply to our products or any part thereof which has been subject to accident, negligence, alteration, abuse, misuse, defective installation, improper storage, normal wear and tear or exposure to extremes in temperature or humidity; or cleaning with harsh household chemicals or abrasives. We make no warranty whatsoever in respect to accessories or parts not supplied or manufactured by us.

THERE ARE NO WARRANTIES EXPRESS OR IMPLIED WHICH EXTEND BEYOND THE DESCRIPTION SET FORTH HEREIN. THIS LIMITATION APPLIES TO THE IMPLIED WARRANTY OF MERCHANTABILITY AND THE IMPLIED WARRANTY OF FITNESS FOR A PARTICULAR PURPOSE. BUYER'S SOLE AND EXCLUSIVE REMEDY FOR A BREACH OF WARRANTY SHALL BE AS SET FORTH ABOVE.

*Revised 07/30/10

Table of Contents:



Wood and Finish Characteristics			4
Finish Availability			5
Upgrade Specifications			5
Door Styles			6-7
Construction Features / Photos			8
Wall Cabinet Features			9
Base Cabinet Features			9
Tall Cabinet Features			10
Vanity Cabinet Features			10
ANSI / ADA Compliant Cabinet Features			11
Cabinet Dimensions			12
Blind Cabinets: Minimum / Maximum Pulls			13
Wall Cabinets			14
Standard Wall	14-17	Microwave Wall	20-21
Blind Wall	17	Open Shelf Wall	22-23
Corner Wall	18	Wine Rack	22
Appliance Garages	18	Wall Organizers	23
Peninsula Wall	19-20		
Base Cabinets			24
Standard Base	24	Peninsula Base	27
Drawer Units	25	Open Shelf	28
Sink Base	25	Angled End Base	28
Blind Base	26	Fronts	29
Corner Base and Lazy Susan	26-27		
Tall Cabinets			30
12" Deep Tall	30	Tall Oven Cabinets	32-33
24" Deep Tall	31	Broom Closets	33
Tall Fronts	32	Book Cases	33
Handicap			34
Sink Base (Removable Front)	34	Wall Hung Lav	34
Sink Base (Pocket Door)	34		
Vanity Cabinets			36
Standard Vanity	36	Vanity File	38
16" Deep Vanity	36	Standard with Drawer	38-39
Sink Base	36	Fronts / Knee Drawers	40
Sink / Drawer Combo	37-38	Wall Boutique / Tall Linen	40
Accessories			41
Roll out Shelves	41	Fillers / Legs / Brackets / Valances	45
Pull out Storage	42	Moulding	46-47
Tilt out Sink Tray	42	Shelves / Sink Floor	48
Waste Bins	42	Touch up / Tape	48
Toe Kicks / Skins / End Panels	43-44		
Cabinet Modification Notes			49

Wood & Finish Characteristics

Smart Cabinetry makes every effort to ensure that our product line is consistently high in quality and will provide years of reliable use with minimum maintenance. Our concern for customer satisfaction leads us to ask all dealers to review with the customer, representative samples pertaining to the particular selection(s) made by each customer.

It's important that every customer understand the following information regarding both the natural and manufactured characteristics of our products.

Our wood finishes accentuate the natural beauty of the wood while giving long lasting protection to your investment. Different processes are used for different finishes but the final result for all finishes is a durable, consistent finish, guaranteed to give years of satisfaction. Individual finishes look different when applied to different wood species and pieces. Mellowing, to some degree, will occur with ALL products as a result of being exposed to natural and artificial types of light.

Reviewing representative samples during the species and finish selection process is critical to ensuring the desired outcome. For best results, a door sample of the style, species and finish combination selected should be reviewed prior to placing the order. The sample(s) should be current (not expired) and viewed under different types of lighting, especially the type of lighting under which the cabinets will be installed.

Wood Selections

We select for purpose, color, consistency and quality from a wide variety of veneer and solid cut wood to make the parts for our cabinetry. No two pieces of wood, whether cut from the same tree or two different trees, are exactly alike. Variation in weather and soil conditions will cause different growth rates, color and grain features. In addition, different wood cuts (veneer versus solid for example) affect appearance and how the wood accepts finishes.

As wood ages it mellows, a coloration change due mostly to exposure to light. Different species as well as different pieces of the same species of wood mellow differently. Wood with clear or near clear finish exposed to direct sun will mellow more rapidly and noticeably than wood with dark stains under low light situations.



Maple

The sapwood is creamy white with a slight reddish brown tinge and the heartwood varies from light to dark reddish brown. The wood is usually straight grained but it can also occur as 'curly', and 'fiddleback' figure.



Oak

The sapwood of red oak is white to light brown and the heartwood is a pinkish reddish brown. The wood is similar in general appearance to white oak, but with a slightly less pronounced figure due to the smaller rays. The wood is mostly straight grained, with a coarse texture.

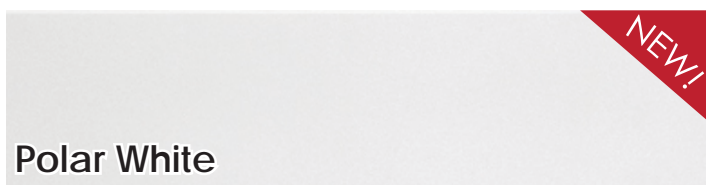


Cherry

The heartwood of cherry varies from rich red to reddish brown and will darken on exposure to light. In contrast the sapwood is creamy white. The wood has a fine uniform straight grain, smooth texture, and may naturally contain brown pith flecks and small gum pockets.

Finishes

All parts are sanded and stained to bring out the wood's natural beauty. After a sealer coat is applied, parts are lightly sanded and cleaned. A final topcoat is applied to complete the finish process. This combination of sealer and conversion topcoat achieves the ultimate in appearance, durability and long lasting beauty.



Polar White

Our newest addition is powdercoated. Available only in Bridgeport and Newport, this new finish features seamless edges, and is highly resistant to heat, moisture, abrasion, staining, and fading.

Finish Availability



	Bridgeport	Newport	Somerset	Hampton	Dover	Oxford	Brighton	Sheffield	Prescott	Manhattan I	Manhattan II	Manchester	Bradford	Cambridge	Lancaster	Chateau*
Polar White	•	•														
Belgian			•	•												
Spice					•	•										
Cinnamon					•	•										
Ginger							•	•	•	•	•	•	•	•	•	•
Honey							•	•	•	•	•	•	•	•	•	•
Carmel							•	•	•	•	•	•	•	•	•	•
Chestnut							•	•	•	•	•	•	•	•	•	•
Pecan					•	•	•	•	•	•	•	•	•	•	•	•
Coffee					•	•	•	•	•	•	•	•	•	•	•	•
Chocolate Glaze											•	•				

*Chateau available soon!

Upgrade Specifications

	Drawer Slides		Construction		Drawer Box	Shelves	
	Captive Roller	Full-Extension Soft Close	Particleboard	Plywood	Dovetail	1/2"	3/4"
Newport	•	▲	•	▲	•	○	•
Bridgeport	•	▲	•	▲	•	○	•
Hampton	•	▲	•	▲	•	○	•
Somerset	•	▲	•	▲	•	○	•
Manhattan II	•	▲	•	▲	•	○	•
Lancaster	•	▲	•	▲	•	○	•
Cambridge	•	▲	•	▲	•	○	•
Bradford	•	▲	•	▲	•	○	•
Manchester	•	▲	•	▲	•	○	•
Prescott	•	▲	•	▲	•	○	•
Oxford	•	▲	•	▲	•	○	•
Sheffield	•	▲	•	▲	•	○	•
Brighton	•	▲	•	▲	•	•	▲
Dover	•	▲	•	▲	•	•	▲
Manhattan	•	▲	•	▲	•	•	▲

Standard • Upgrade ▲ Downgrade ○

Smart Cabinetry Door Styles



Sheffield shown in Ginger

Cambridge shown in Ginger

1/2" Standard Overlay

In Standard Overlay door styles, the door and drawer front partially reveals the face frame of the cabinet all around the parameter of the door and drawer. Standard Overlay construction has a 1/2" opening between the door and drawer for easy access without the need for door/drawer hardware.

Full Overlay

In Full Overlay door styles, the door and drawer front reveals 1/4" of face frame of the cabinet on the sides of the door and drawer. Full Overlay construction has a 1/2" opening between the door and drawer for easy access without the need for door/drawer hardware.



Newport in Polar White

Bridgeport shown in Polar White

Routed One Piece

Newport	Polar White Finish (Full Overlay)
Bridgeport	Polar White Finish (Standard Overlay)

- Routed One Piece Door
- Shaker Styling (Newport)
- Raised Panel Styling (Bridgeport)
- Solid Slab Drawer Front
- Reversed Bevel Edge
- Decorator Hardware not Required

*9" wide cabinets include slab doors.

Flat Panel Door Style

Dover	Red Oak (Standard Overlay)
Brighton	Maple (Standard Overlay)

- Mortise & Tenon Door Frame
- Veneer Flat Panel Inset Into Frame
- Solid Slab Drawer Front
- Reversed Bevel Edge
- Decorator Hardware not Required



Brighton shown in Carmel



Oxford
shown in Pecan

Raised Panel Door Style

Oxford	Red Oak (Standard Overlay)
Prescott	Maple (Standard Overlay)
Lancaster	Maple (Full Overlay)
Hampton	Cherry (Full Overlay)

- Mortise & Tenon Door Frame
- Veneer Raised Panel (Oxford, Prescott, Lancaster)
- Solid Raised Panel Inset into Frame (Hampton)
- Solid Slab Drawer Front
- Reversed Bevel Edge
- Decorator Hardware not Required



Sommerset
shown in Belgium

Shaker Door Style

Sheffield	Maple (Standard Overlay)
Cambridge	Maple (Full Overlay)
Sommerset	Cherry (Full Overlay)

- Mortise & Tenon Door Frame
- Veneer Flat Panel Inset Into Frame (Sheffield, Cambridge)
- Reversed Raised Panel Inset into Frame (Sommerset)
- Solid Slab Drawer Front
- Reversed Bevel Edge
- Decorator Hardware not Required



Manchester
in Honey Glaze

Bradford
shown in Honey Glaze

Mitered Door Style

Manchester	Maple (Standard Overlay)
Bradford	Maple (Standard Overlay)

- Mortise & Tenon Door Frame
- Veneer Flat Panel Inset Into Frame (Manchester)
- Raised Panel (Bradford)
- Mortise & Tenon Door Frame Drawer Front



Manhattan I
shown in Chestnut

Slab Door Style

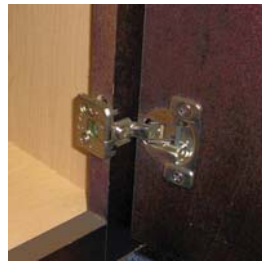
Manhattan I	Maple (Standard Overlay)
Manhattan II	Maple (Full Overlay)

- Veneer Slab Door and Drawer Front
- Square Veneered Edge

Standard Construction Features



6-way Adjustable hinges
(standard overlay detail)



6-way Adjustable hinges
(full overlay detail)



Plywood Dovetail Drawers



Adjustable shelves



Particleboard construction
(back detail)



Particleboard construction
(side detail)



I-beam Construction



Water Resistant Flooring
(All vanities and sink base vanities)

Upgraded Construction Features



Plywood option
(back detail)



Plywood option
(side detail)



Full Extension Soft Close
(inside detail)



Full Extension Soft Close
(underside detail)

Wall Cabinet Features



***End Panels**
 1/2" substrate with light maple wood grain interior matching laminate exterior.

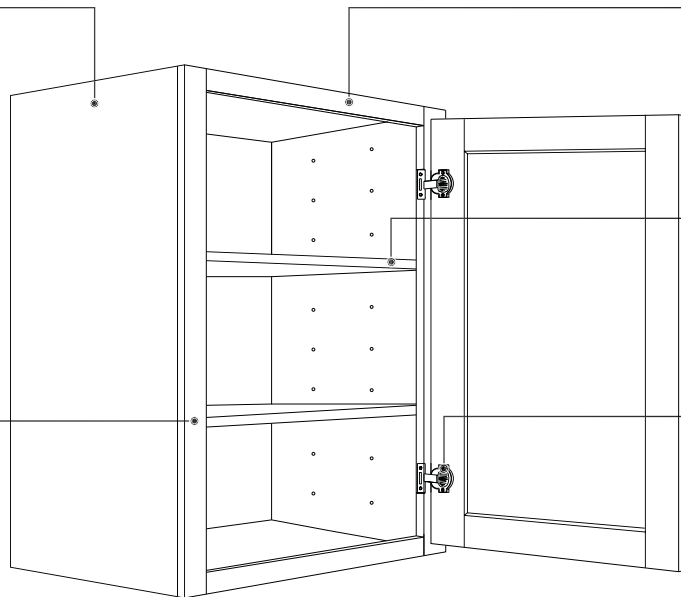
***Back**
 1/2" woodgrain laminate rabbeted into ends, glued to top and bottom with industrial grade hot melt glue.

Frames
 3/4" thick and 1 1/2" wide, kiln-dried hardwood assembled under pressure with screws. Offers maximum strength and squareness.

***Tops and Bottoms**
 1/2" substrate with light maple wood grain interior and exterior.

Adjustable Shelves
 Full depth MDF with a powder coated finish with Teflon additive. Attached with locking shelf clips.

Hinges
 6-way adjustable, self-closing concealed hinges.



*Part included with plywood upgrade (see page 5 for additional upgrades)

Base Cabinet Features

***Back**
 1/2" woodgrain laminate rabbeted into ends, glued to top and bottom with industrial grade hot melt glue.

Adjustable Shelves
 Half depth MDF with a powder coated finish with Teflon additive.

***End Panels**
 1/2" substrate with light maple wood grain interior matching laminate exterior.

Frames
 3/4" thick and 1 1/2" wide, kiln-dried hardwood assembled under pressure with screws. Offers maximum strength and squareness.

***Toe Kicks**
 4 1/2" toe kicks with 3 1/2" inset on all standard base cabinets.

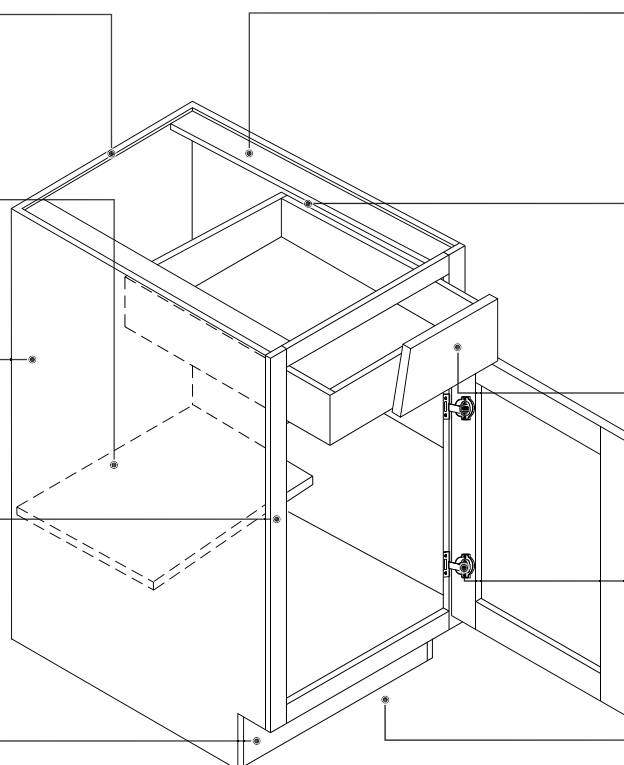
***Braces**
 Full depth braces provide I-beam stability and convenient anchor points for counter tops.

Drawer Guides
 Features captive roller, epoxy-coated stay-closed side guides.

Drawers
 1/2" plywood dovetail drawers, featuring four-sided construction and captive 1/4" matching laminate bottom.

Hinges
 6-way adjustable, self-closing concealed hinges.

***Bottoms**
 1/2" substrate with light maple wood grain interior.

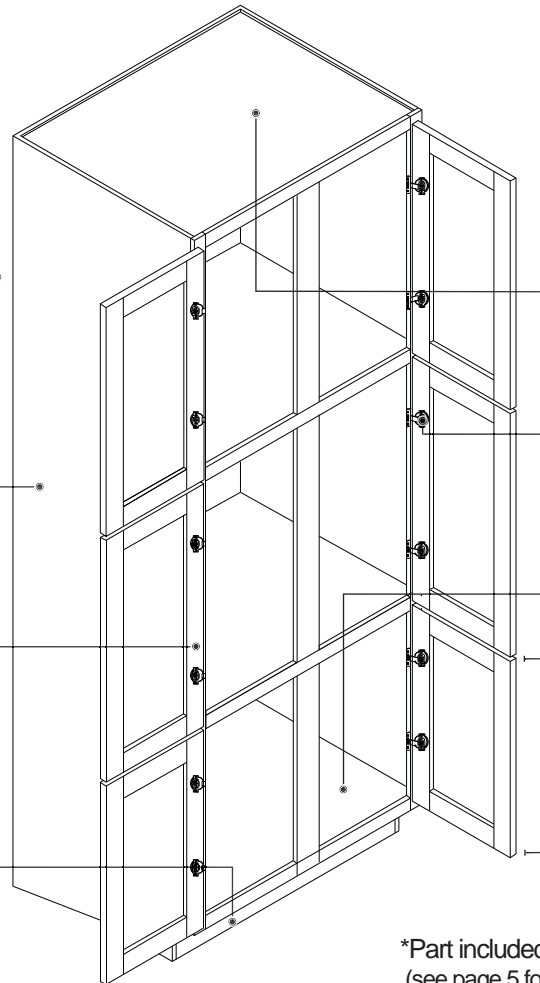


*Part included with plywood upgrade (see page 5 for additional upgrades)

Tall Cabinet Features



- *Back
1/2" woodgrain laminate rabbeted into ends, glued to top and bottom with industrial grade hot melt glue.
- *End Panels
1/2" substrate with light maple wood grain interior matching laminate exterior.
- Frames
3/4" thick and 1 1/2" wide, kiln-dried hardwood assembled under pressure with screws. Offers maximum strength and squareness.
- *Toe Kicks
4 1/2" toe kicks with 3 1/2" inset on all standard base cabinets.

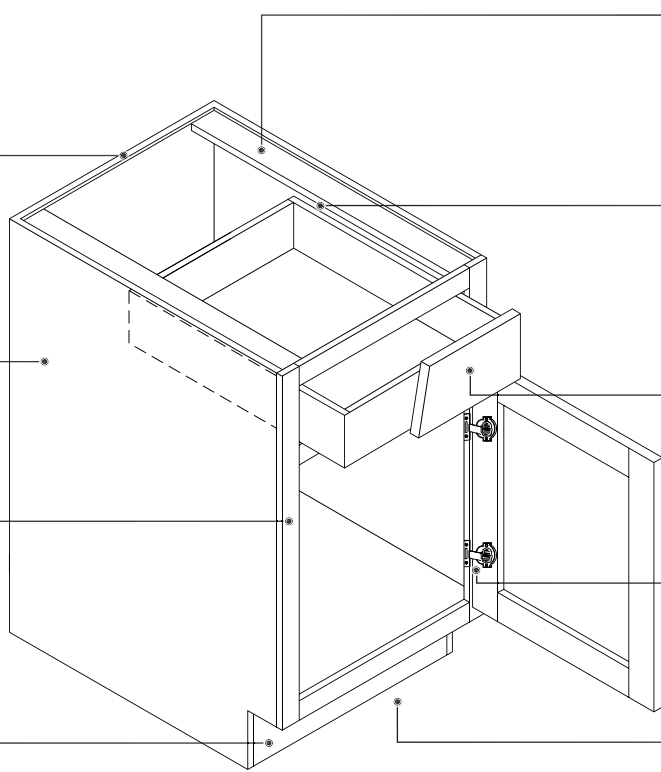


- *Tops
1/2" substrate with light maple wood grain interior and exterior.
- Hinges
6-way adjustable, self-closing concealed hinges.
- *Bottoms
1/2" substrate with light maple wood grain interior.
- Matches base cabinet door height. (28")

*Part included with plywood upgrade (see page 5 for additional upgrades)
**Shelf kits not included

Vanity Cabinet Features

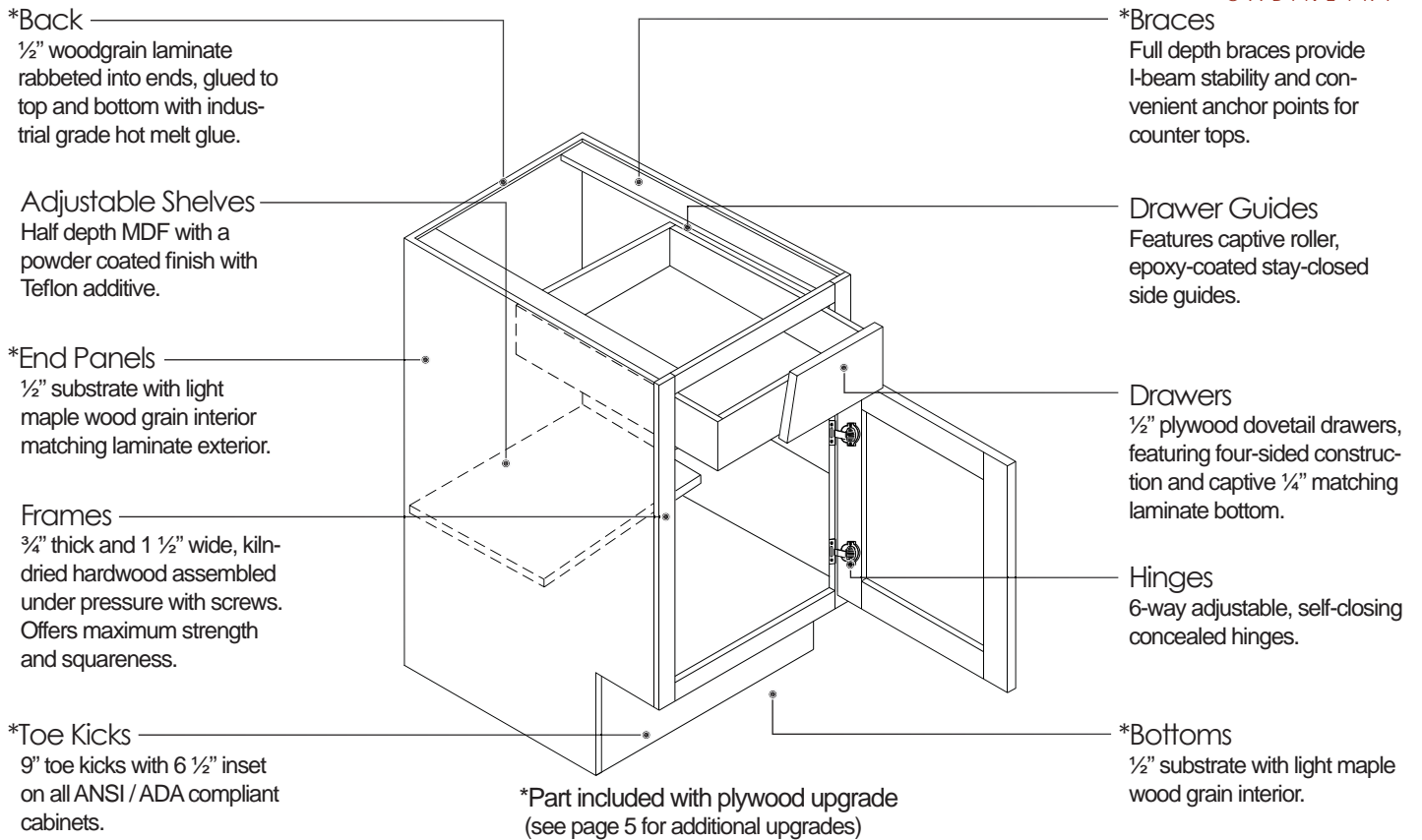
- *Back
1/2" woodgrain laminate rabbeted into ends, glued to top and bottom with industrial grade hot melt glue.
- *End Panels
1/2" substrate with light maple wood grain interior matching laminate exterior.
- Frames
3/4" thick and 1 1/2" wide, kiln-dried hardwood assembled under pressure with screws. Offers maximum strength and squareness.
- *Toe Kicks
4 1/2" toe kicks with 3 1/2" inset on all standard base cabinets.



- *Braces
Full depth braces provide I-beam stability and convenient anchor points for counter tops.
- Drawer Guides
Features captive roller, epoxy-coated stay-closed side guides.
- Drawers
1/2" plywood dovetail drawers, featuring four-sided construction and captive 1/4" matching laminate bottom.
- Hinges
6-way adjustable, self-closing concealed hinges.
- *Bottoms
1/2" substrate with light maple wood grain interior.

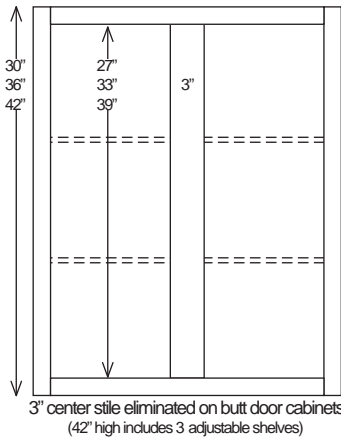
*Part included with plywood upgrade (see page 5 for additional upgrades)

ANSI / ADA Cabinet Features (Handicap Accessible)

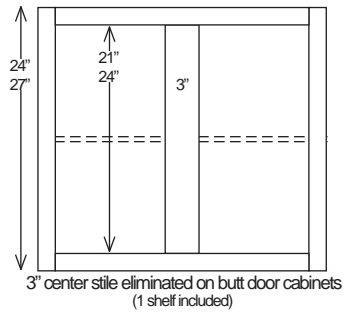


Cabinet Dimensions

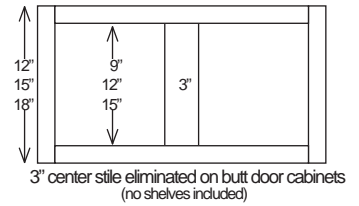
Wall Cabinet



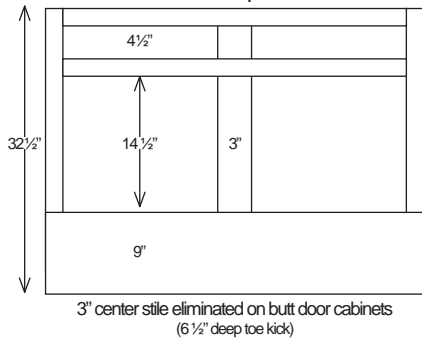
Wall Cabinet



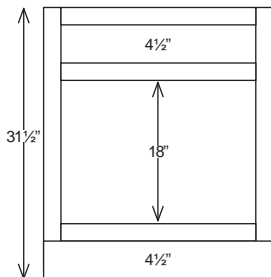
Wall Cabinet



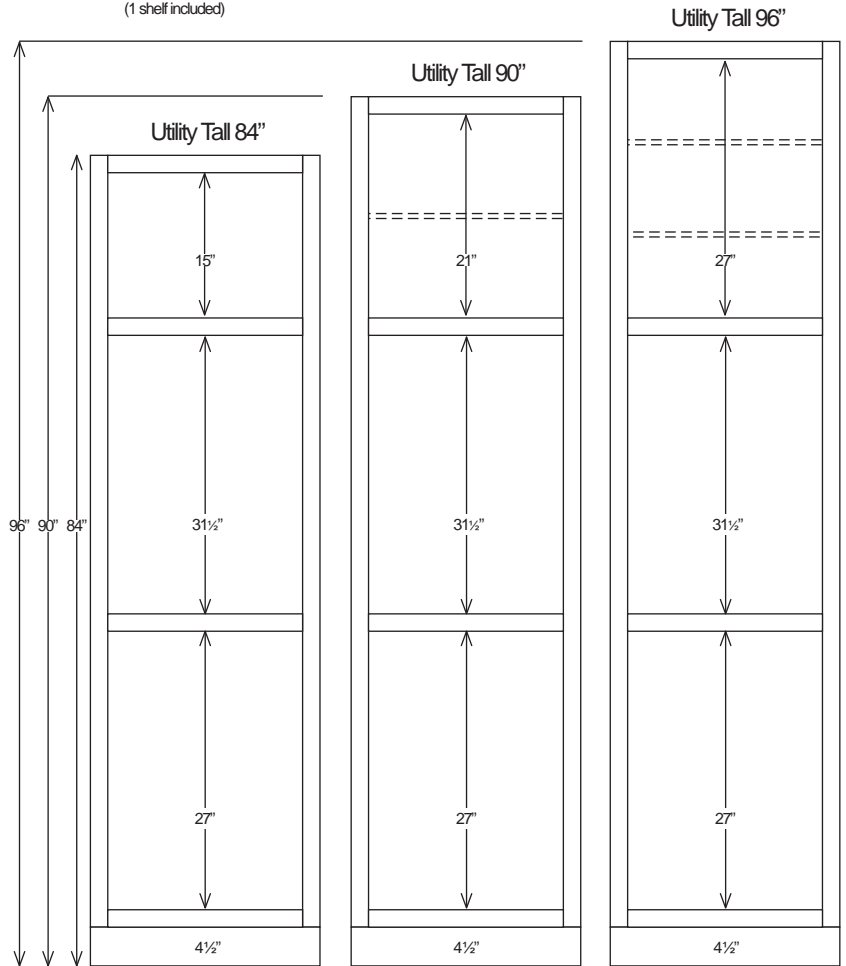
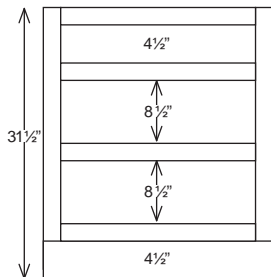
Handicap
ANSI/ADA Compliant Cabinet



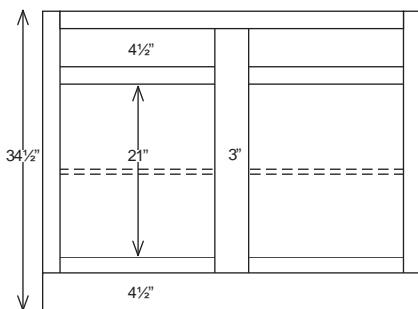
Vanity Base



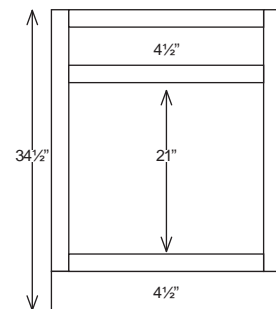
Vanity Base Drawer



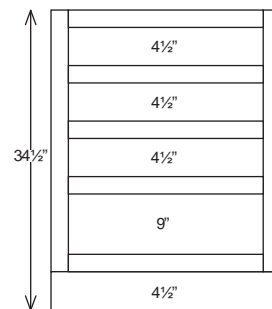
Base Cabinet



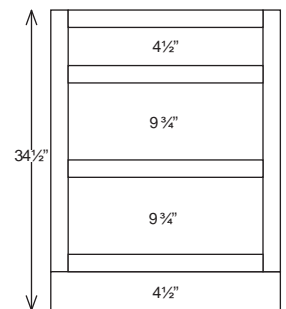
Base Cabinet Butt Door



Base 4 Drawer



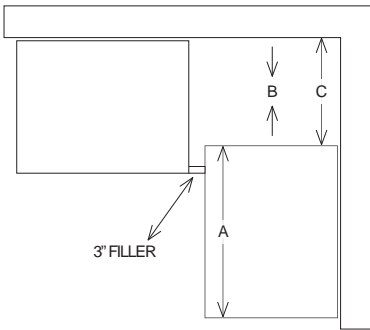
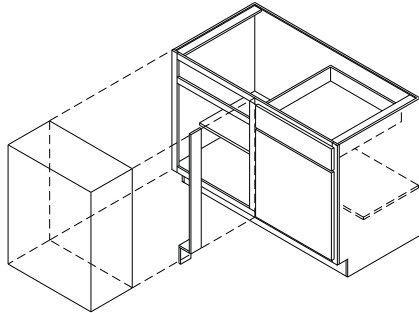
Base 3 Drawer



Blind Cabinets: Minimum / Maximum Pull Distance



Reversible Blind Bases



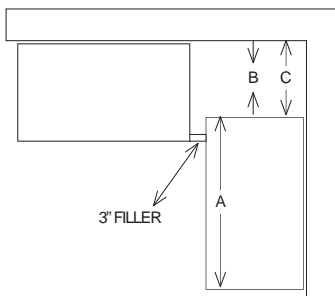
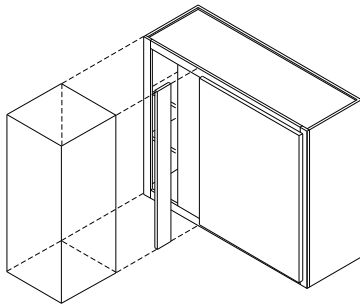
	A	B	C	Standard Door	Full Overlay Door
BBC33	21"	9 3/4"	16 1/2"	7"	8 1/2"
BBC36	25"	11"	14 1/2"	9"	10 1/2"
BBC39	30"	8 1/2"	12"	11 1/2"	13"
BBC42	36"	5 1/2"	9"	14 1/2"	16"
BBC45	42"	3"	6"	17 1/2"	19"
BBC48	45"	1 1/2"	4 1/2"	19"	20 1/2"

- A = Cabinet Width
- B = Minimum Pull
- C = Maximum Pull

NOTES

- Order filler separately.
- Reversible for left or right.
- If hardware applied, pull 1" over minimum space.

Reversible Blind Walls



	A	B	C	Standard Door	Full Overlay Door
WBC24	23"	1"	5"	10	11 1/2"
WBC27	26"	1"	5"	13	14 1/2"
WBC30	29"	1"	5"	16	17 1/2"
WBC33	32"	1"	5"	19	20 1/2"
WBC36	35"	1"	5"	22	23 1/2"
WBC39	38"	1"	5"	12 1/2"	14
WBC42	41"	1"	5"	13	14 1/2"
WBC45	44"	1"	5"	14 1/2"	16
WBC48	47"	1"	5"	16	17 1/2"

- A = Cabinet Width
- B = Minimum Pull
- C = Maximum Pull

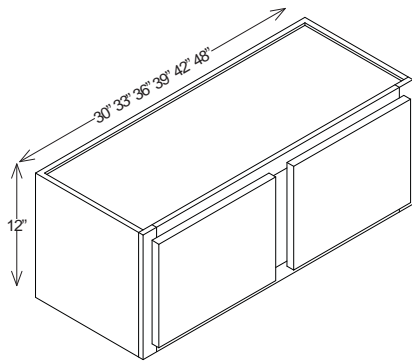
NOTES

- Order filler separately.
- Reversible for left or right.
- If hardware applied, pull 1" over minimum space.

Wall Cabinets

WALL

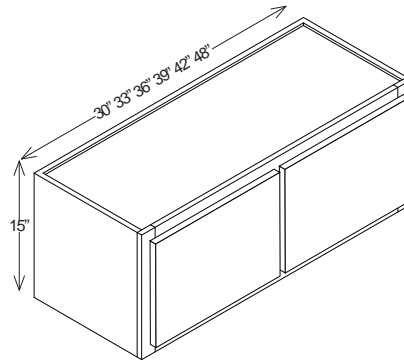
12" High Wall Cabinets



12" High Double

W3012B	W3912
W3312B	W4212
W3612B	W4812B

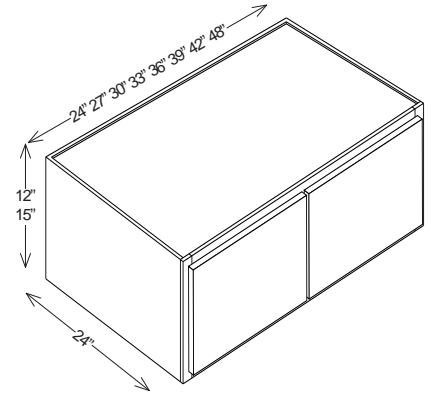
15" High Wall Cabinets



15" High Double

W3015B	W3915
W3315B	W4215
W3615B	W4815

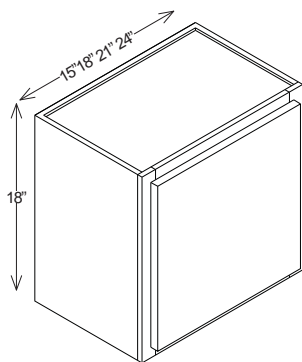
Over-the-Refrigerator Cabinets



12" & 15" High - Refrigerator

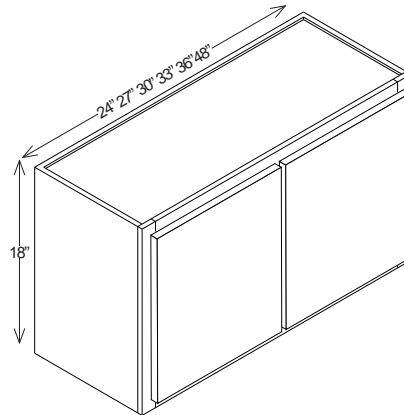
W301524B	W361524B
W331524B	W391524B
W241224B	W361224B
W271224B	W391224B
W301224B	W421224B
W331224B	W481224B

18" High Wall Cabinets



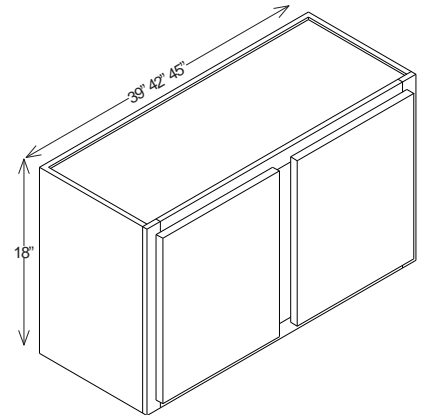
18" High Single

W1518	W2118
W1818	W2418



18" High Double - Butt

W2418B	W3318B
W2718B	W3618B
W3018B	W4818B



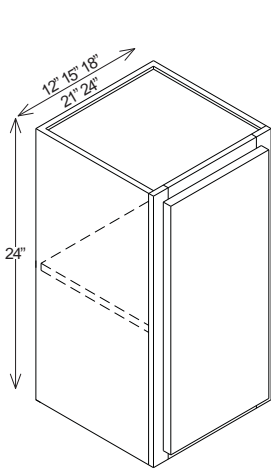
18" High Double

W3918
W4218
W4518

Wall Cabinets

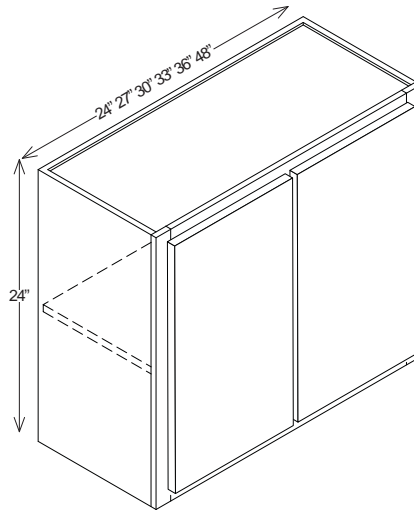
WALL

24" High Wall Cabinets



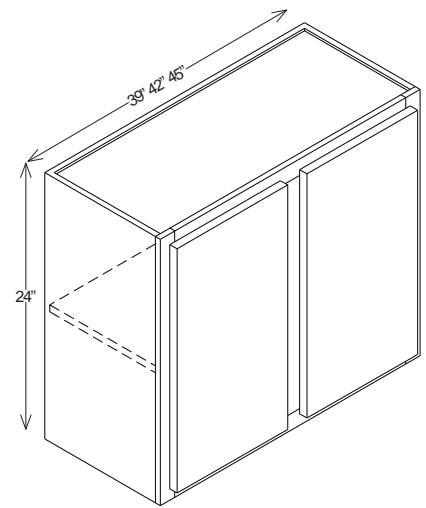
24" High Single

W1224	W2124
W1524	W2424
W1824	



24" High Double - Butt

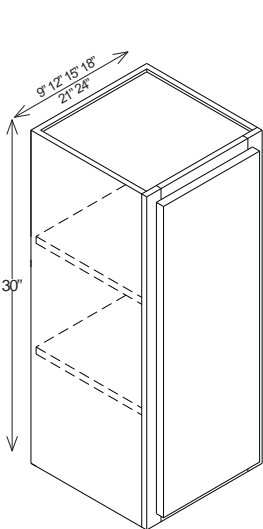
W2424B	W3324B
W2724B	W3624B
W3024B	W4824B



24" High Double

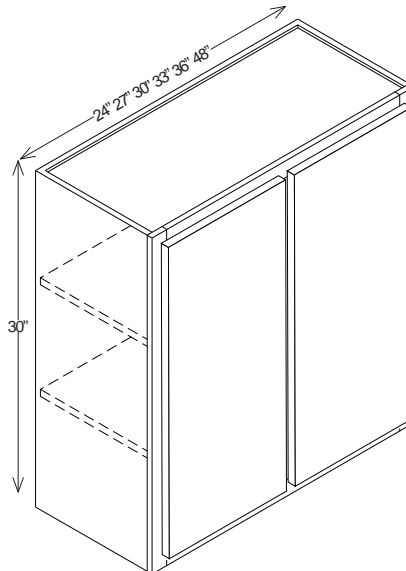
W3924
W4224
W4524

30" High Wall Cabinets



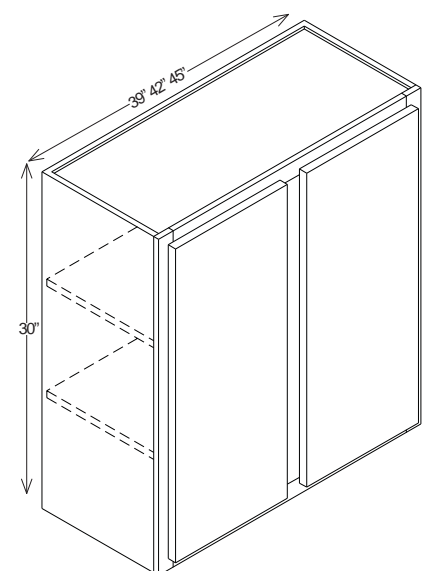
30" High Single

W930	W1830
W1230	W2130
W1530	W2430



30" High Double - Butt

W2430B	W3330B
W2730B	W3630B
W3030B	W4830B



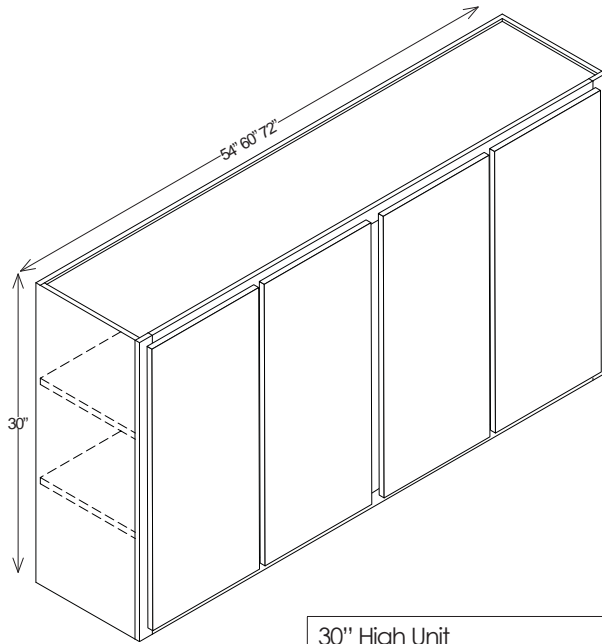
30" High Double

W3930
W4230
W4530

B : following Cabinet Size Designates Butt Doors
All Wall Cabinets are 12" deep, unless specified

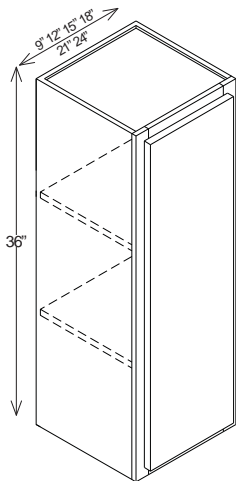
Wall Cabinets

30" High Wall Cabinets (continued)

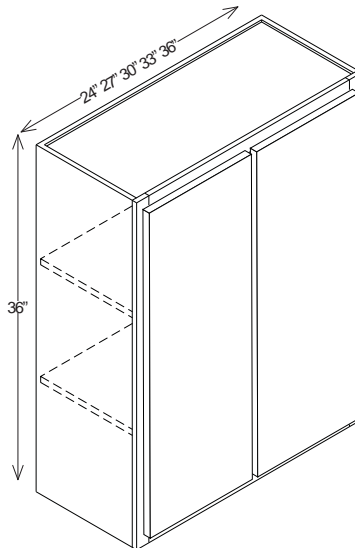


30" High Unit	
W5430B	W7230B
W6030B	

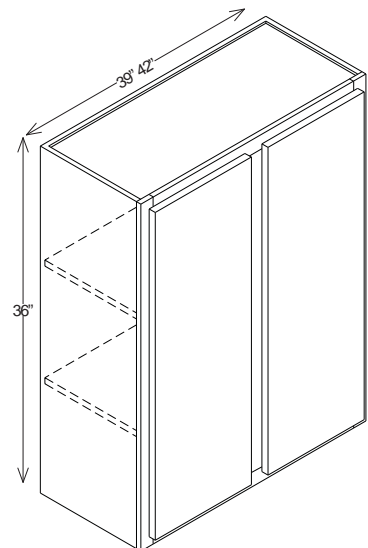
36" High Wall Cabinets



36" High Single	
W936	W1836
W1236	W2136
W1536	W2436



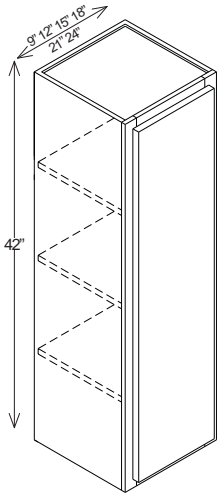
36" High Double - Butt	
W2436B	W3336B
W2736B	W3636B
W3036B	



36" High Double	
W3936	
W4236	

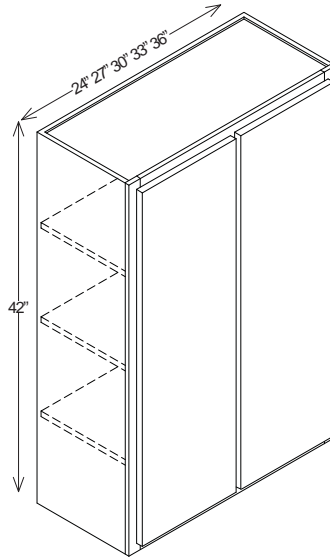
Wall Cabinets

42" High Wall Cabinets



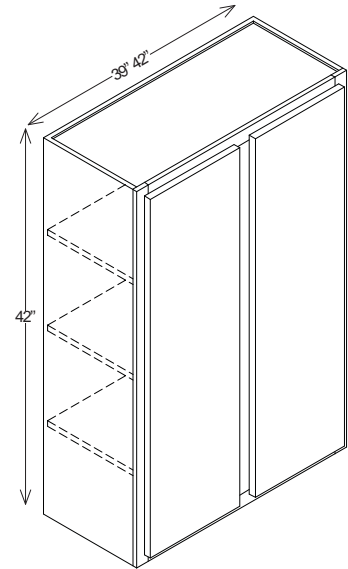
42" High Single

W942	W1842
W1242	W2142
W1542	W2442



42" High Double - Butt

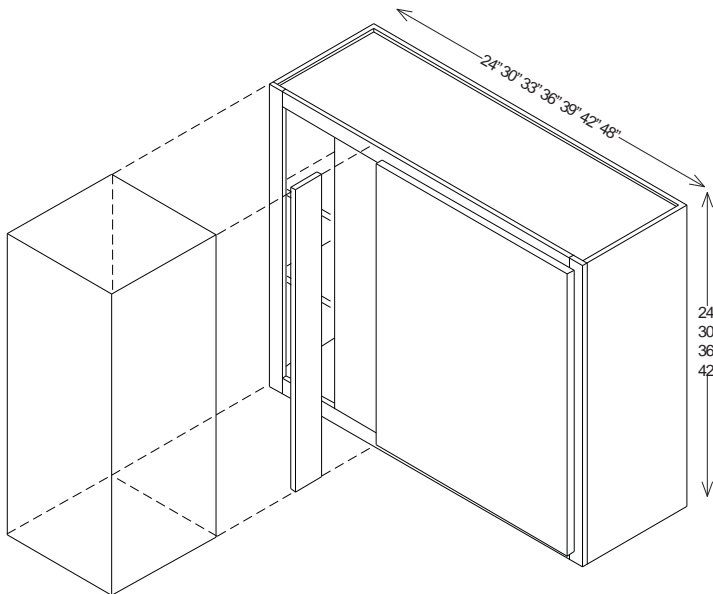
W2442B	W3342B
W2742B	W3642B
W3042B	



42" High Double

W3942
W4242

Wall Blind Cabinets



24" High Blind

WBC2424	WBC3924B
WBC3024	WBC4224B
WBC3624B	WBC4824B

30" High Blind

WBC2430	WBC3930B
WBC3030	WBC4230B
WBC3330	WBC4830B
WBC3630B	

42" High Blind

WBC2442	WBC3942B
WBC3042	WBC4242B
WBC3642B	WBC4842B

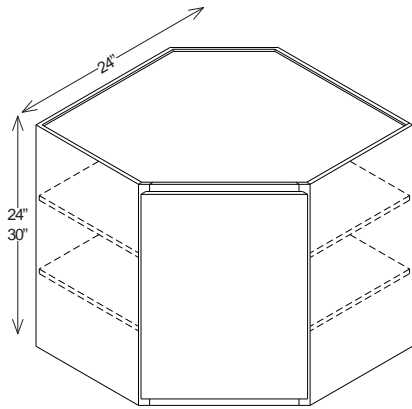
36" High Blind

WBC2436	WBC3936B
WBC3036	WBC4236B
WBC3636B	WBC4836B

Wall Cabinets

WALL

24" & 30" High Wall Cabinets



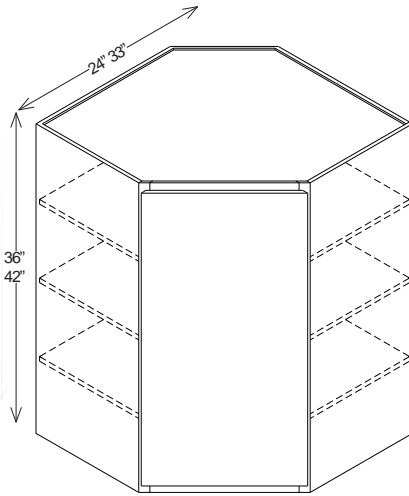
24" High Corner Wall (1 shelf)

DWA2424

30" High Corner Wall (2 shelves)

DWA2430

36" & 42" High Wall Cabinets



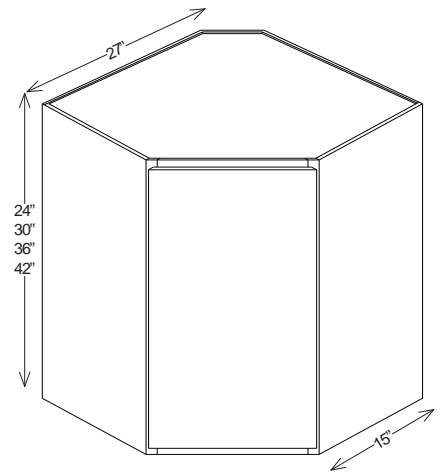
36" High Corner Wall (2 shelves)

DWA2436 DWA3336B

42" High Corner Wall (3 shelves)

DWA2442

Extra Width and Depth



Extra Width and Depth

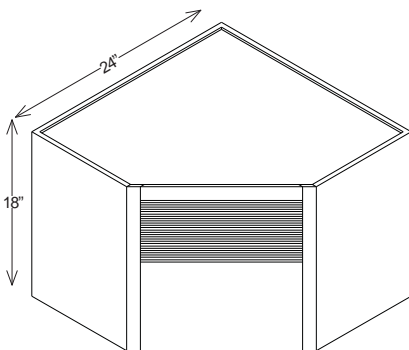
DWA272415 (No shelf)

DWA273015 (2 shelves)

DWA273615 (2 shelves)

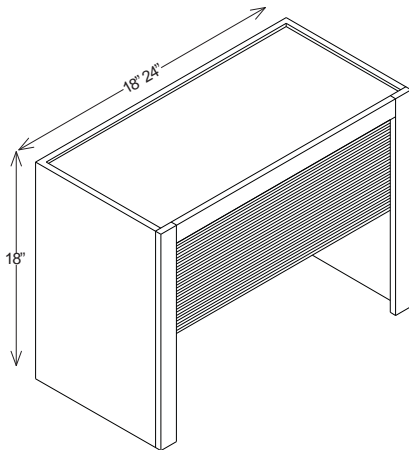
DWA274215 (3 shelves)

Appliance Garages



18" High Corner Garage

CAG24



18" High Garage

SAG1818

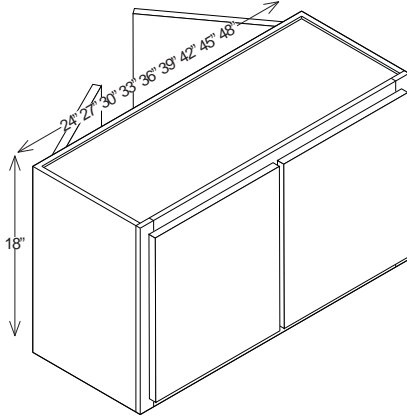
SAG2418

Wall Cabinets

WALL

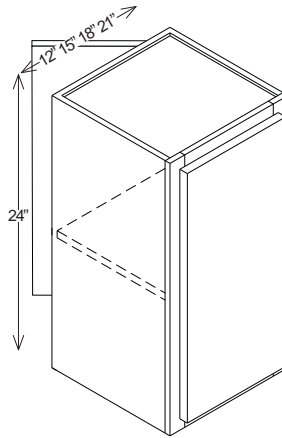
18" High Wall Peninsula Cabinets

24" High Wall Peninsula Cabinets



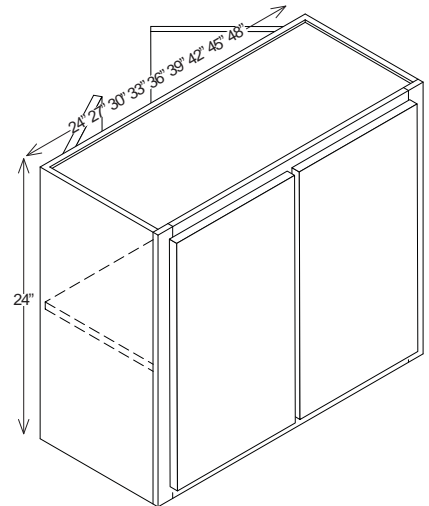
18" High Double Peninsula

- | | |
|---------|---------|
| W2418BP | W3918P |
| W2718BP | W4218P |
| W3018BP | W4518P |
| W3318BP | W4818BP |
| W3618BP | |



24" High Single Peninsula

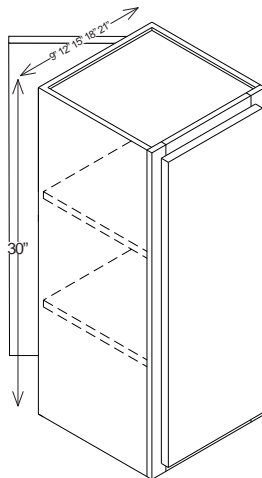
- | | |
|--------|--------|
| W1224P | W1824P |
| W1524P | W2124P |



24" High Double Peninsula

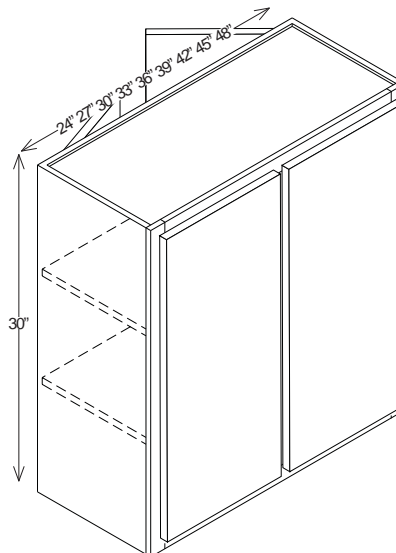
- | | |
|---------|---------|
| W2424BP | W3924P |
| W2724BP | W4224P |
| W3024BP | W4524P |
| W3324BP | W4824BP |
| W3624BP | |

30" High Wall Peninsula Cabinets



30" High Single Peninsula

- | | |
|--------|--------|
| W930P | W2130P |
| W1230P | |
| W1530P | |
| W1830P | |



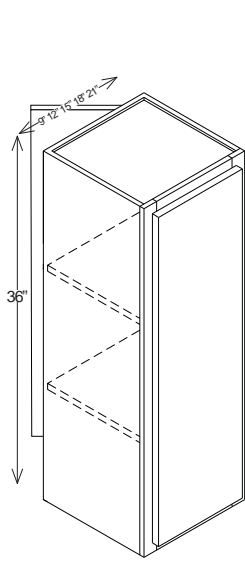
30" High Double Peninsula

- | | |
|---------|---------|
| W2430BP | W3930P |
| W2730BP | W4230P |
| W3030BP | W4530P |
| W3330BP | W4830BP |
| W3630BP | |

B : following Cabinet Size Designates Butt Doors
All Wall Cabinets are 12" deep, unless specified

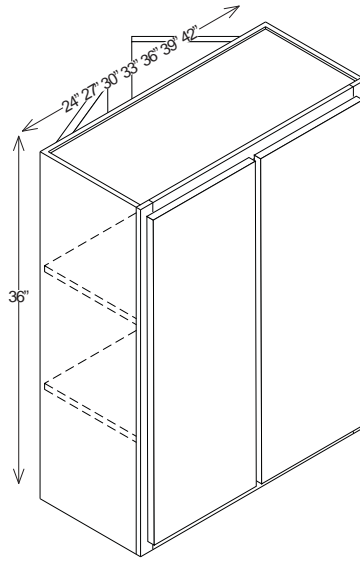
Wall Cabinets

36" High Wall Peninsula Cabinets



36" High Single Peninsula

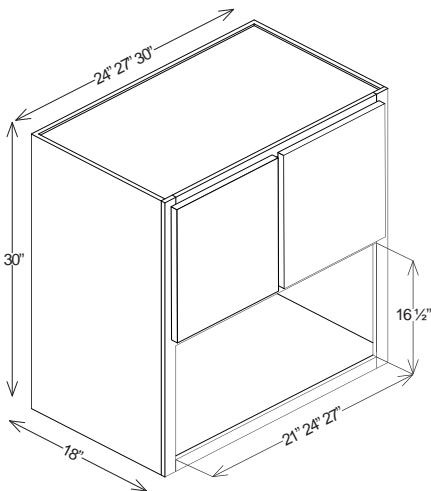
W936P W1836P
 W1236P W2136P
 W1536P



36" High Double Peninsula

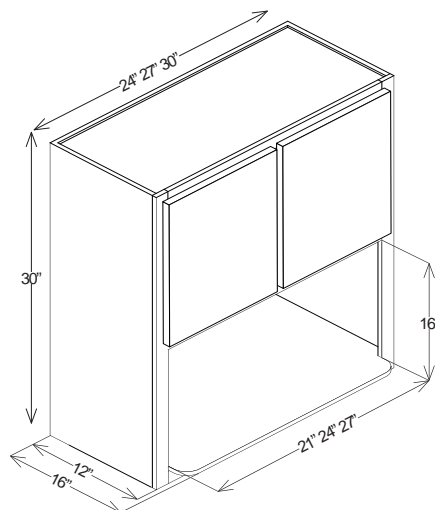
W2436BP W3636BP
 W2736BP W3936P
 W3036BP W4236P
 W3336BP

30" High Microwave Wall Cabinets



30" High

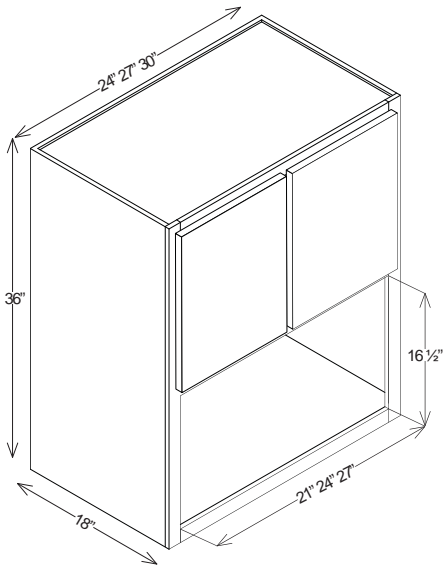
MWW2430B (18" deep)
 MWW2730B (18" deep)
 MWW3030B (18" deep)



30" High

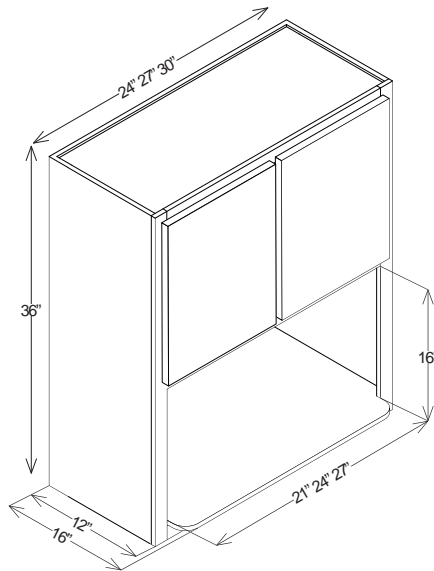
MWW243012BEXS (12" deep)
 MWW273012BEXS (12" deep)
 MWW303012BEXS (12" deep)

36" High Microwave Wall Cabinets



36" High

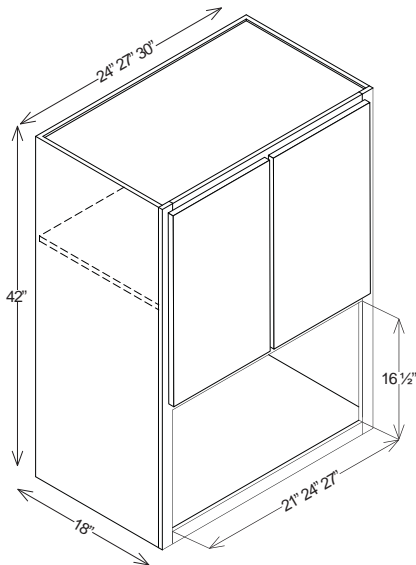
- MWW2436B (18" deep)
- MWW2736B (18" deep)
- MWW3036B (18" deep)



36" High

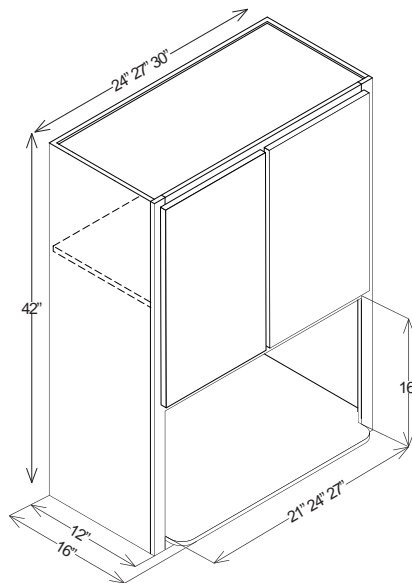
- MWW243612BEXS (12" deep)
- MWW273612BEXS (12" deep)
- MWW303612BEXS (12" deep)

42" High Microwave Wall Cabinets



42" High

- MWW2442B (18" deep)
- MWW2742B (18" deep)
- MWW3042B (18" deep)

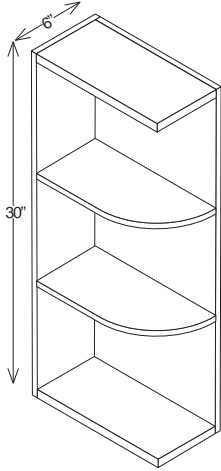


42" High

- MWW244212BEXS (12" deep)
- MWW274212BEXS (12" deep)
- MWW304212BEXS (12" deep)

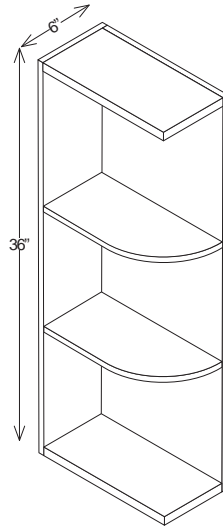
Wall Cabinets

30" High Wall End Open Shelf



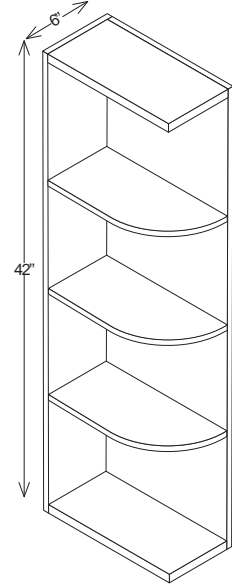
30" High
WEOS630

36" High Wall End Open Shelf



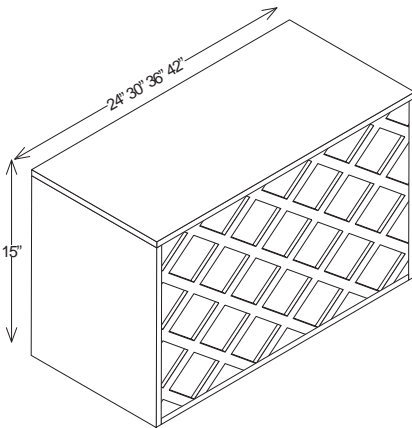
36" High
WEOS636

42" High Wall End Open Shelf



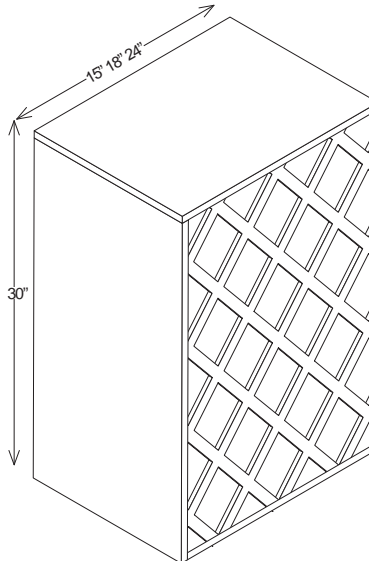
42" High
WEOS642

15" High Wine Rack

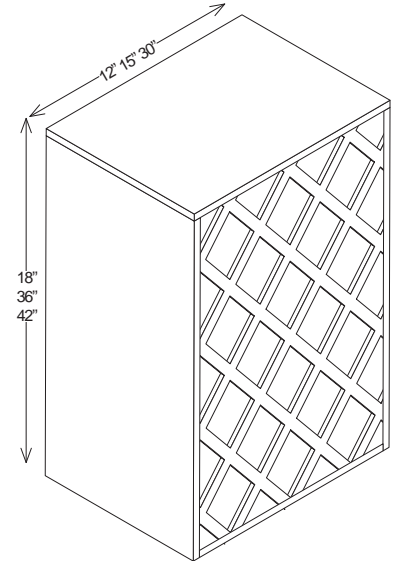


15" High
WR2415 WR3615
WR3015 WR4215

30" High Wine Rack



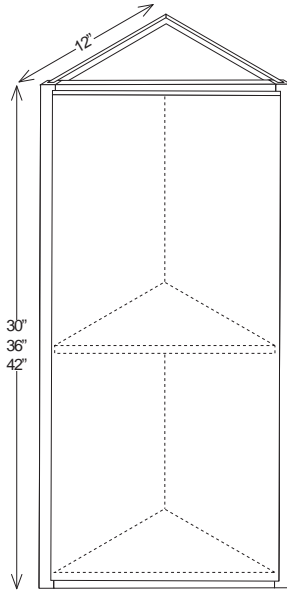
30" High
WR1530 WR2430
WR1830



18" 36" 42" High
WR3018 WR1542

WR1236
WR1536

Diagonal Wall End Cabinet



Diagonal End Cabinet

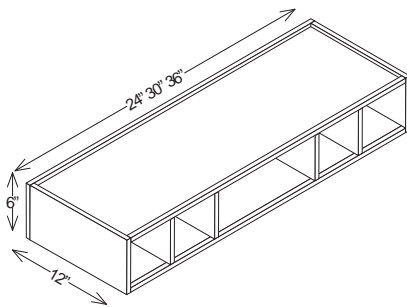
WEC1230

WEC1236

WEC1242

Wall Organizers

Wall Spice Drawers

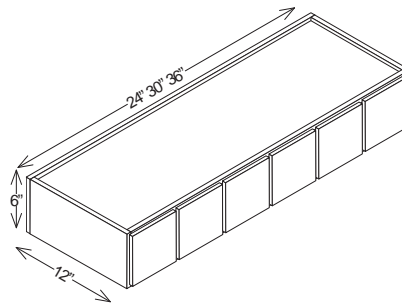


Wall Organizer

ORG246

ORG306

ORG366



Spice Drawer

SD24

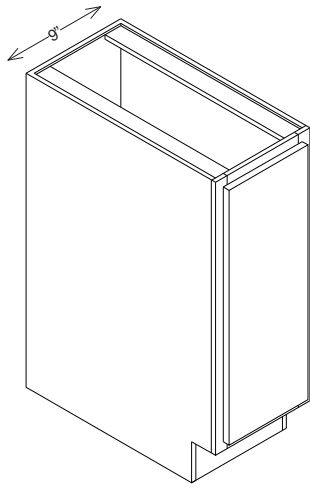
SD30

SD36

Base Cabinets

BASE

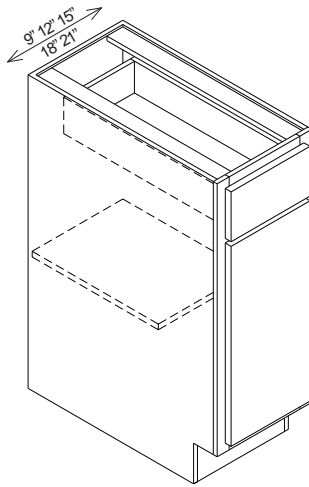
Full Height Door Tray Base



Full Height Door Tray Base

TB9

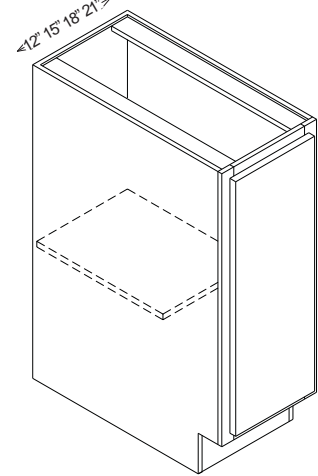
Single Door / Drawer Cabinets



Single Door / Drawer

B9 B18
 B12 B21
 B15

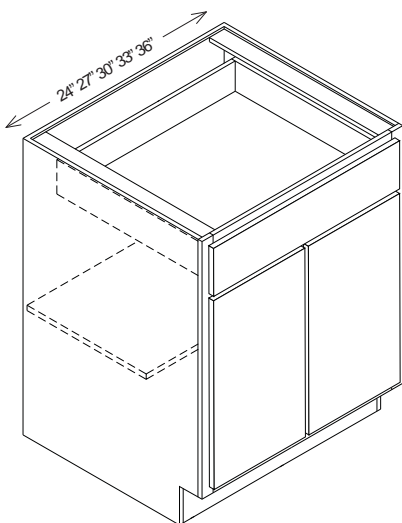
Single Full Height Door Cabinets



Single Door

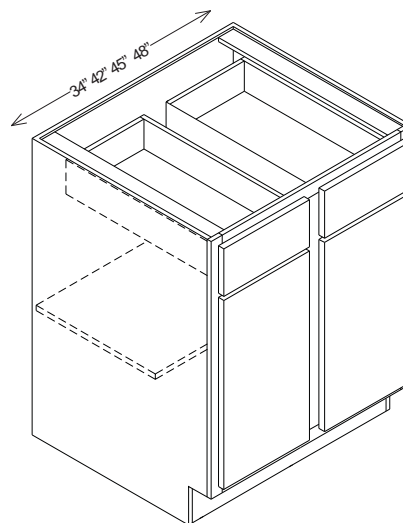
B12FH B18FH
 B15FH B21FH

Double Door / Drawer Cabinets



Double Door - Butt

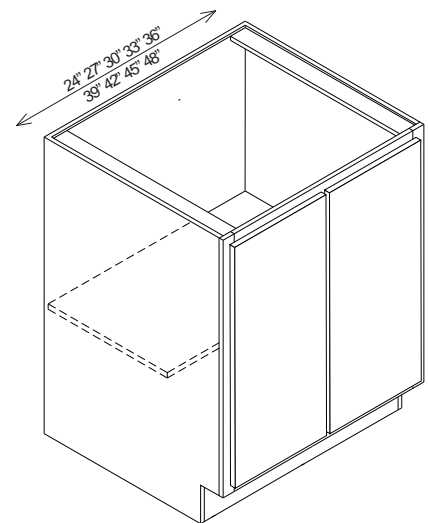
B24B B33B
 B27B B36B
 B30B



Double Door

B39 B45
 B42 B48B

Double Full Height Door Cabinets



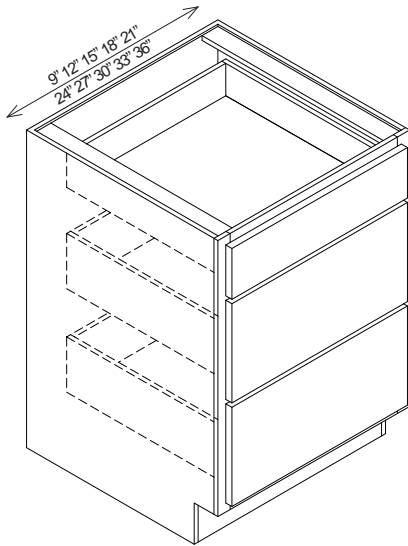
Double Door - Full Height

B24BFH B39FH
 B27BFH B42FH
 B30BFH B45FH
 B33BFH B48BFH
 B36BFH

Base Cabinets



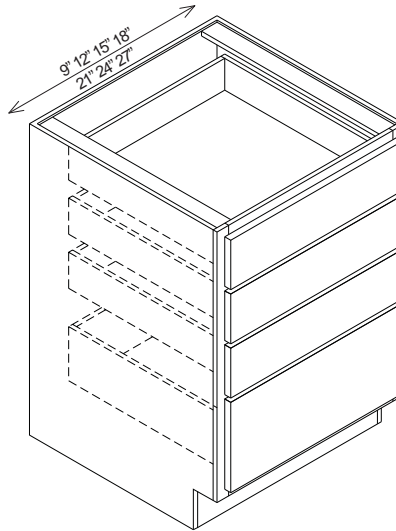
3 Drawer Base Cabinets



3 Drawer Base

B3D9	B3D24
B3D12	B3D27
B3D15	B3D30
B3D18	B3D34
B3D21	B3D36

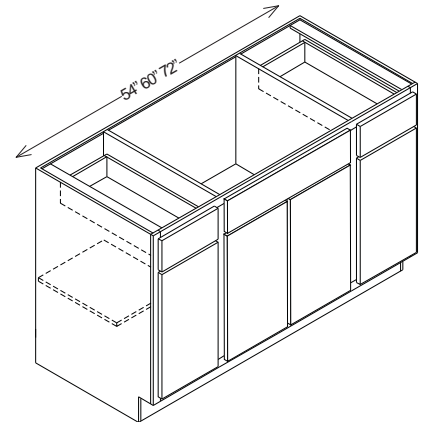
4 Drawer Base Cabinets



4 Drawer Base

B4D9	B4D21
B4D12	B4D24
B4D15	B4D27
B4D18	

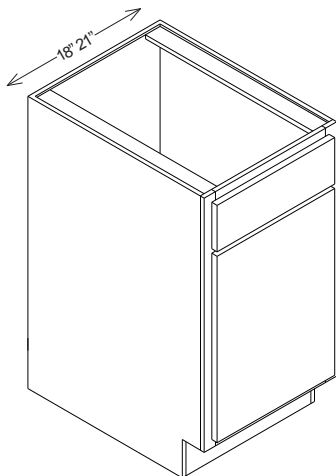
Combination Sink Cabinets



Combination Sink Base

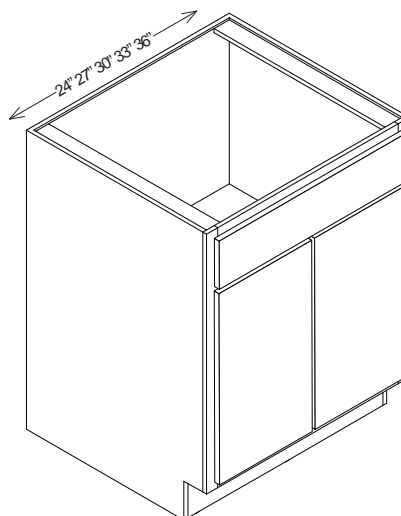
CSB54B
CSB60B
CSB72B

Sink Base Cabinets



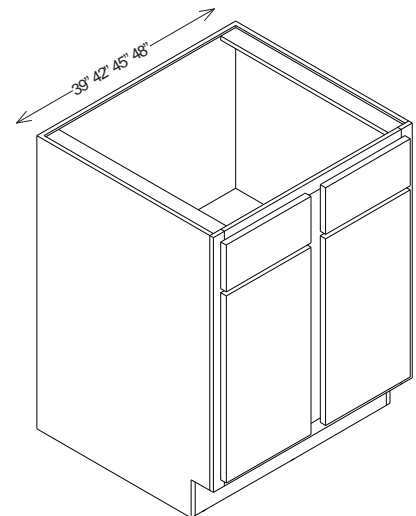
Single Door

SB18
SB21



Double Door - Butt

SB24B	SB33B
SB27B	SB36B
SB30B	

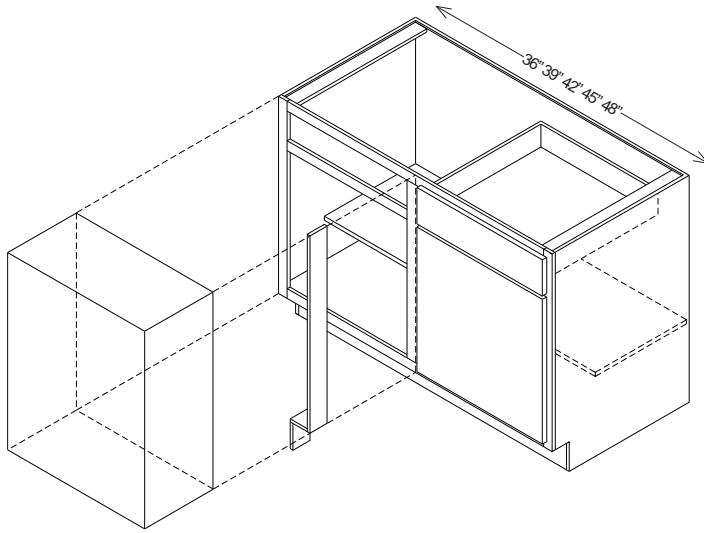


Double Door

SB39	SB48B
SB42	
SB45	

Base Cabinets

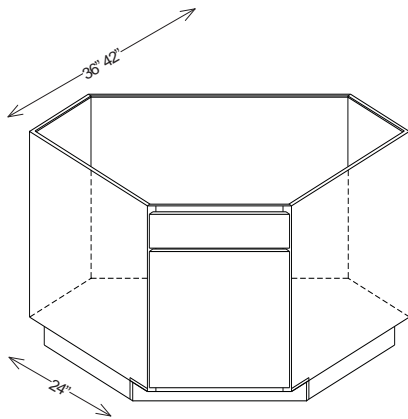
Blind Base Cabinets



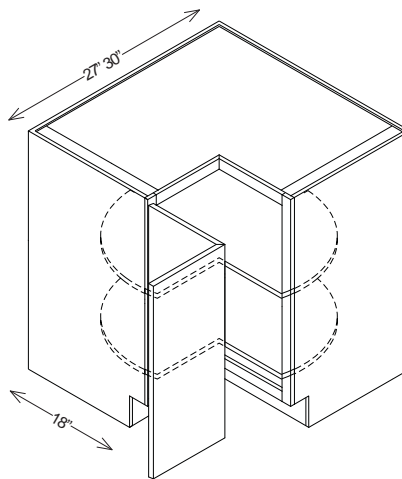
Blind Base	
BBC36	BBC45
BBC39	BBC48
BBC42	

Diagonal Base Cabinets

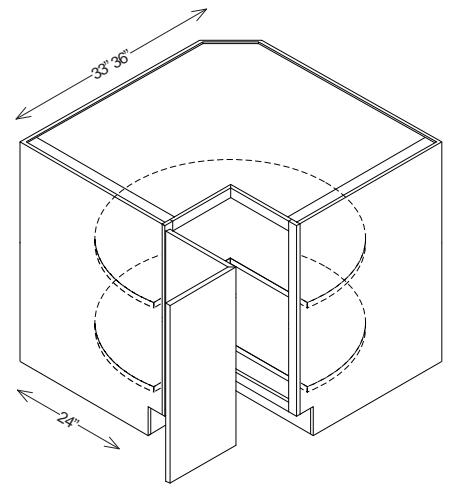
Lazy Susan Cabinets



Diagonal Base
DC36
DC42



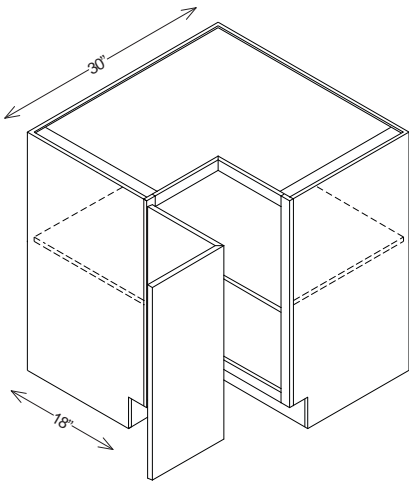
Lazy Susan
LS33
LS36



Super Lazy Susan
SLS33
SLS36

Base Cabinets

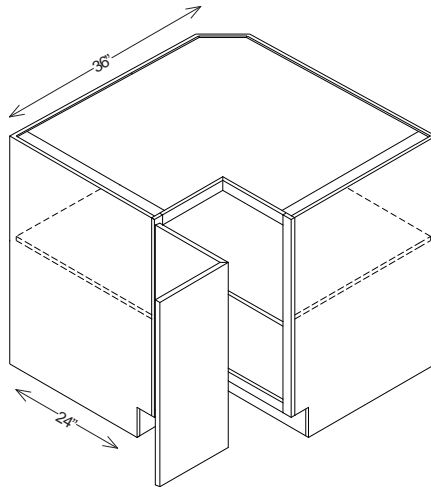
Square Corner Base Cabinets



Square Corner Base

SCB33

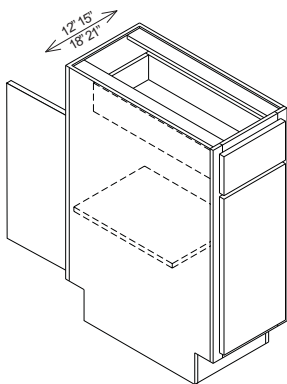
SCB36



Super Square Corner Base

SSCB36

Peninsula Base Cabinets



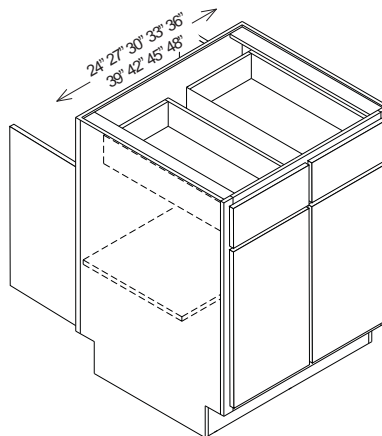
Single Door - Peninsula

B12P

B18P

B15P

B21P



Double Door - Peninsula

B24BP

B39P (2 Drawer)

B27BP

B42P (2 Drawer)

B30BP

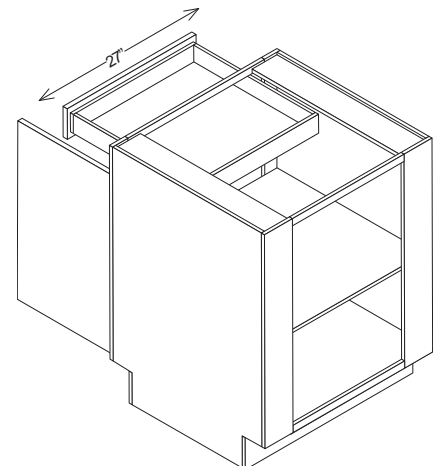
B45P (2 Drawer)

B33BP

B48BP (2 Drawer)

B36BP

*B48BP shown



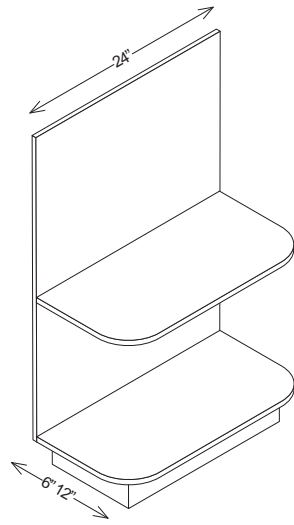
Base Corner - Peninsula

PBCC27

Base Cabinets

BASE

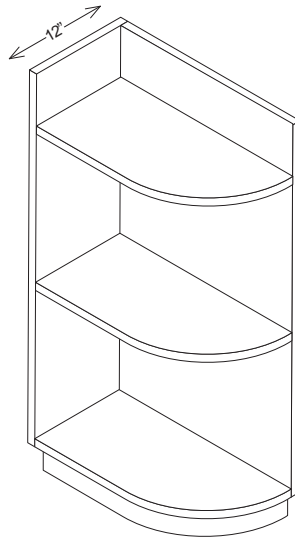
Peninsula End Shelf



Peninsula Open End Shelf

PBES6
PBES12

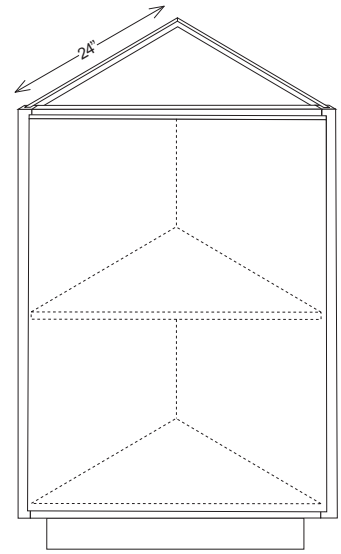
Base End Open Shelf



Base End Open Shelf

BEOS1224
(Order Left or Right)

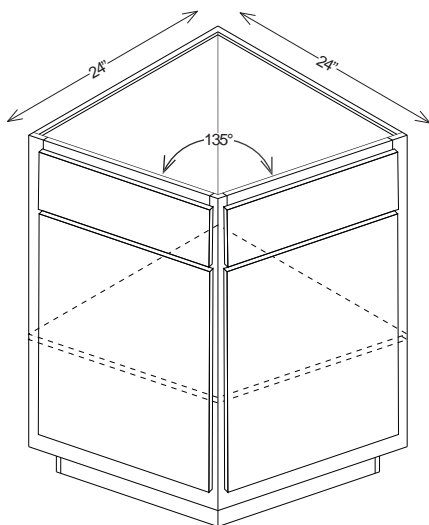
Base End Corner



Base End Corner

BEC24

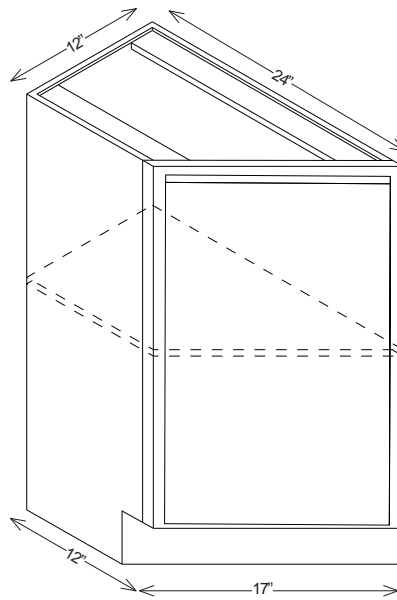
Angled End Base Cabinet



Angled End Base

AEB24

Transitional End Base Cabinet

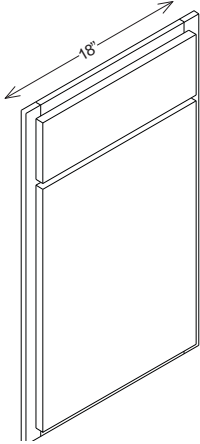


Transitional End Base

AB12L
AB12R

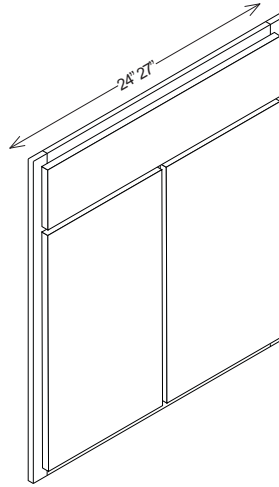
Base Cabinets

Sink Fronts



Single Door Front

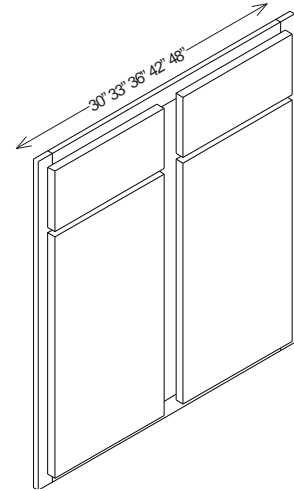
SF18



Double Door Front - Butt

SF24B

SF27B



Double Door Front

SF30B

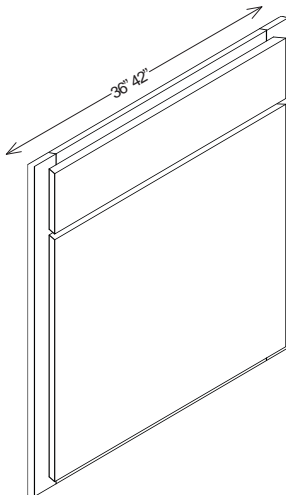
SF42B

SF33B

SF48B

SF36B

Diagonal Sink Front

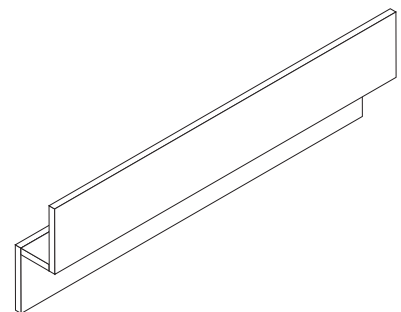


Diagonal Front

DSF36

DSF42

Drop in Range Front

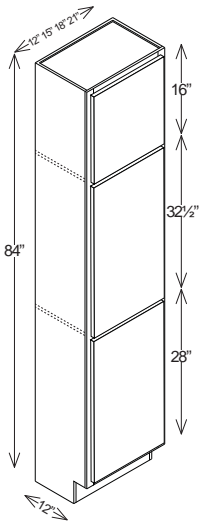


Drop-in Range Front

DIRF30

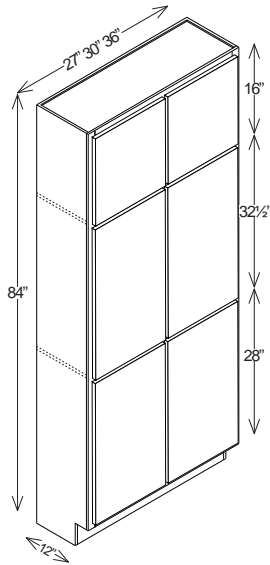
Tall Cabinets

84" High Tall Cabinets



Tall Single Door

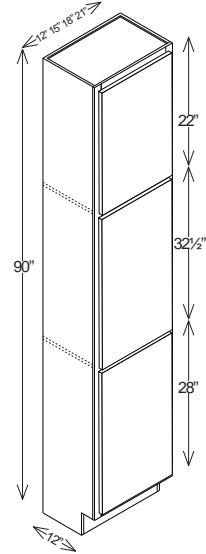
T128412 T188412
T158412 T218412



Tall Double Door

T248412B T368412B
T308412B

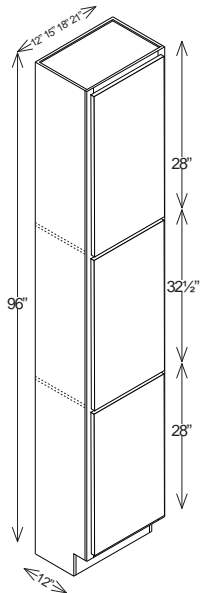
90" High Tall Cabinets



Tall Single Door

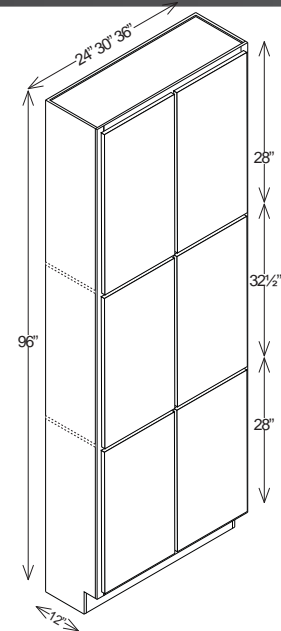
T129012 T189012
T159012 T219012

96" High Tall Cabinets



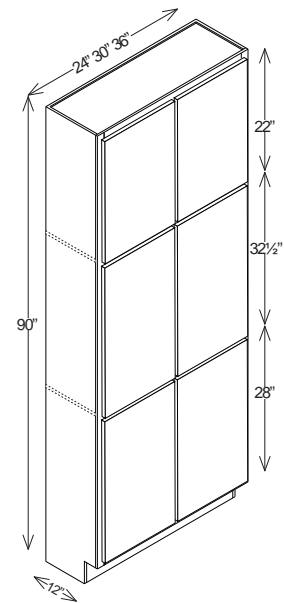
Tall Single Door

T129612 T189612
T159612 T219612



Tall Double Door

T249612B T369612B
T309612B

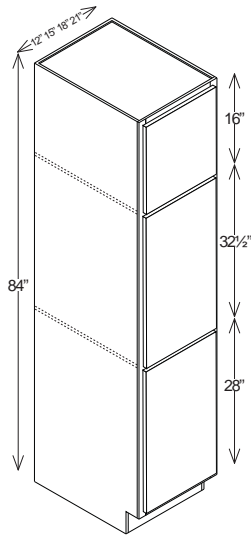


Tall Double Door

T249012B T369012B
T309012B

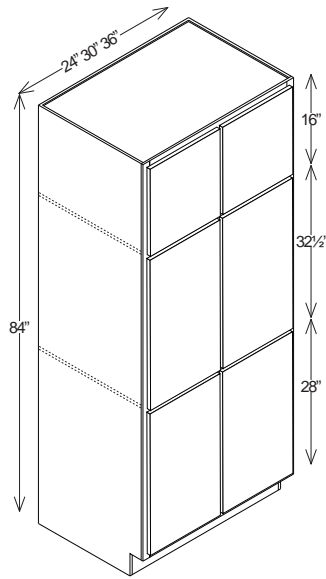
Tall Cabinets

84" High Tall Cabinets



Tall Single Door

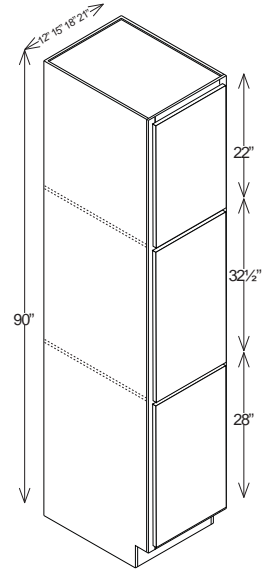
T128424 T188424
T158424 T218424



Tall Double Door

T248424B T368424B
T308424B

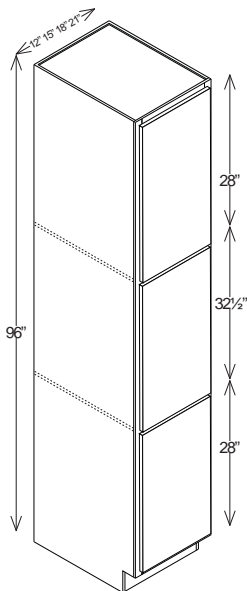
90" High Tall Cabinets



Tall Single Door

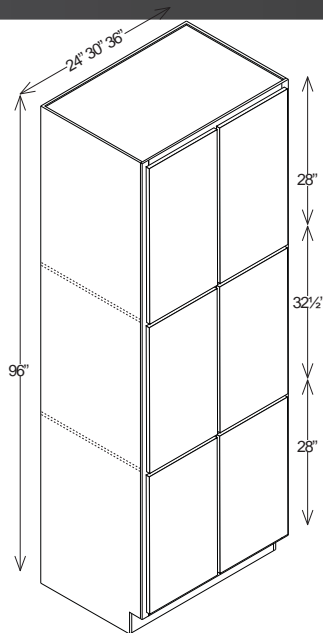
T129024 T189024
T159024 T219024

96" High Tall Cabinets



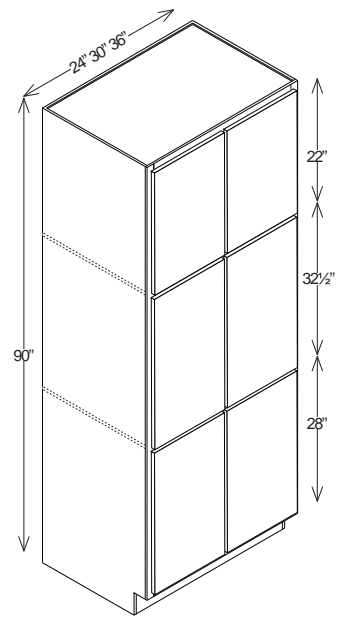
Tall Single Door

T129624 T189624
T159624 T219624



Tall Double Door

T249624B T369624B
T309624B



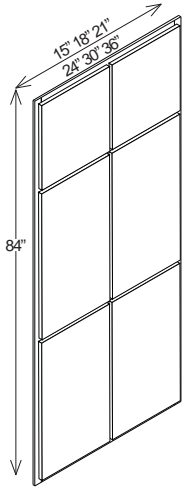
Tall Double Door

T249024B T369024B
T309024B

TALL

Tall Cabinets

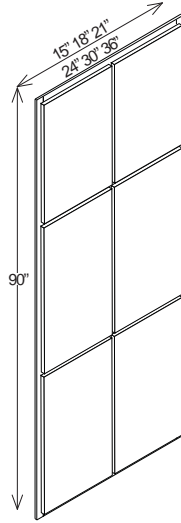
84" High Tall Fronts



Utility Front

UF1584	UF2484B
UF1884	UF3084
UF2184	UF3684

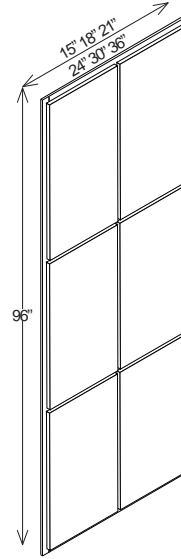
90" High Tall Fronts



Utility Front

UF1590	UF2490B
UF1890	UF3090
UF2190	UF3690

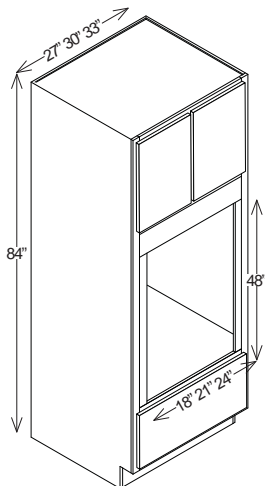
96" High Tall Fronts



Utility Front

UF1596	UF2496B
UF1896	UF3096
UF2196	UF3696

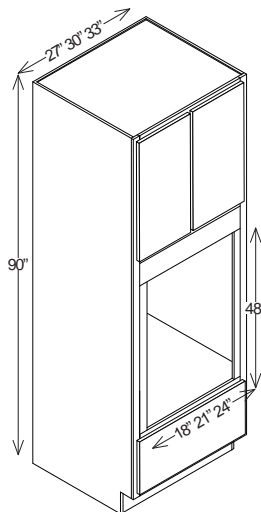
84" High Oven Cabinets



Universal Cabinet

OV2784B	OV3384B
OV3084B	

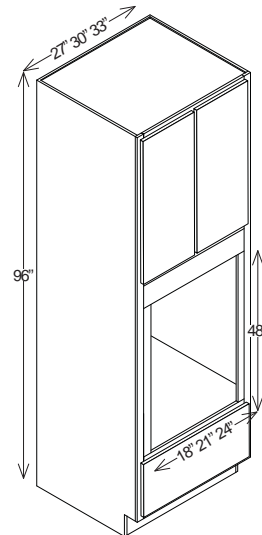
90" High Oven Cabinets



Universal Cabinet

OV2790B	OV3390B
OV3090B	

96" High Oven Cabinets

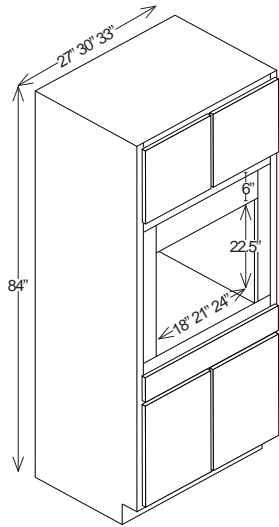


Universal Cabinet

OV2796B	OV3396B
OV3096B	

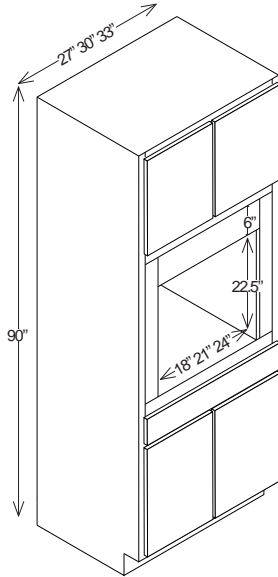
Tall Cabinets

84" High Single Oven



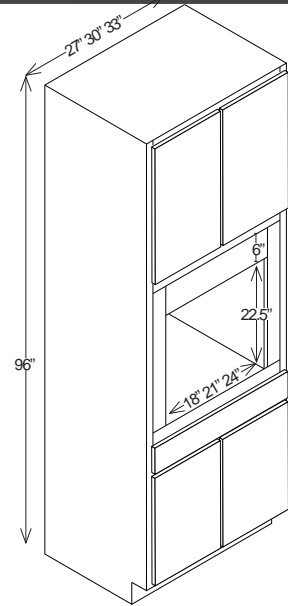
Single Oven
SOV2784B
SOV3084B
SOV3384B

90" High Single Oven



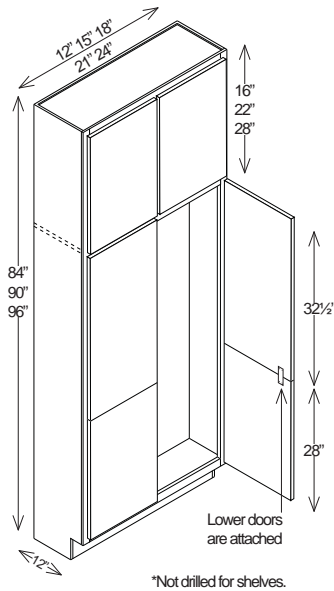
Single Oven
SOV2790B
SOV3090B
SOV3390B

96" High Single Oven



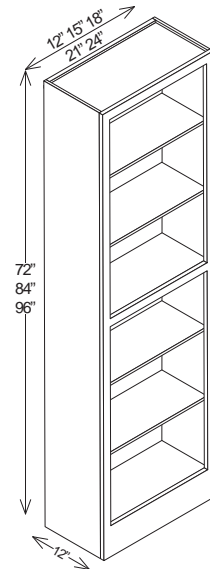
Single Oven
SOV2796B
SOV3096B
SOV3396B

Tall Broom Closet



Tall Broom Closet				
TBC128412	TBC158412	TBC188412	TBC218412	TBC248412
TBC129012	TBC159012	TBC189012	TBC219012	TBC249012
TBC129612	TBC159612	TBC189612	TBC219612	TBC249612

Book Cases

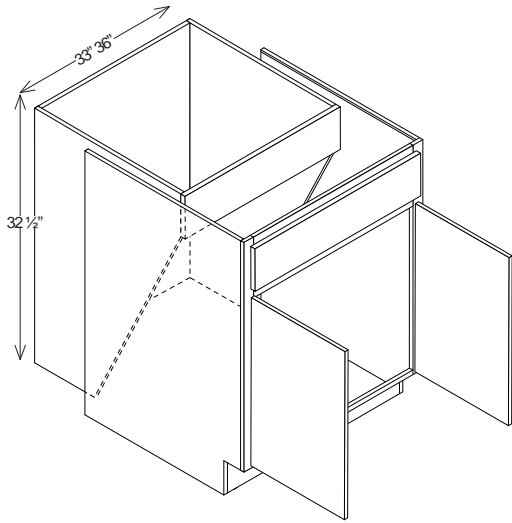


Book Cases		
BC127212	BC128412	BC129612
BC157212	BC158412	BC159612
BC187212	BC188412	BC189612
BC217212	BC218412	BC219612
BC247212	BC248412	BC249612

TALL

Handicap Cabinets

Handicap Sink Base Cabinet

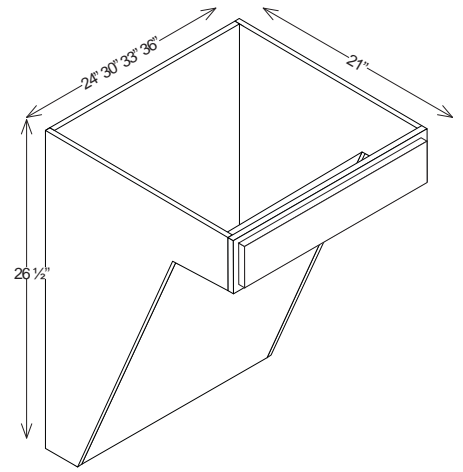


Handicap Sink Base
(Removable Front)

SB33HCRF

SB36HCRF

Wall Hung Lav



Wall Hung Lav

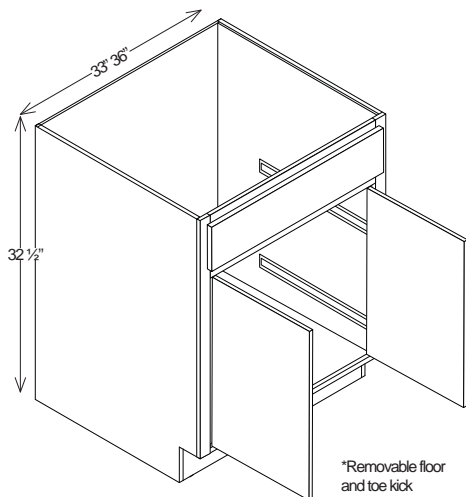
WHL24

WHL33

WHL30

WHL36

Handicap Sink Base Pocket Door



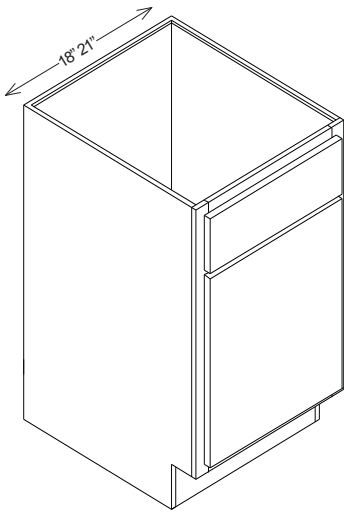
Handicap Sink Base
(Pocket Door)

SB33BHC_POC

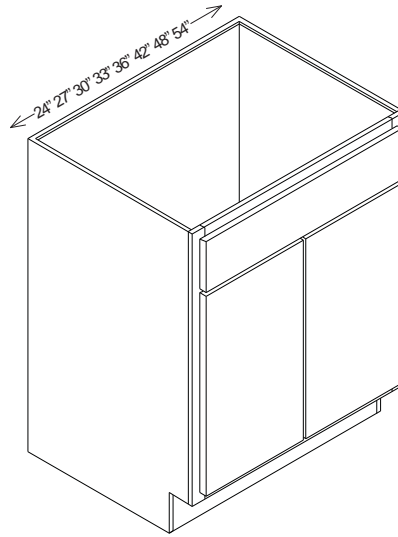
SB36BHC_POC

Vanity Cabinets

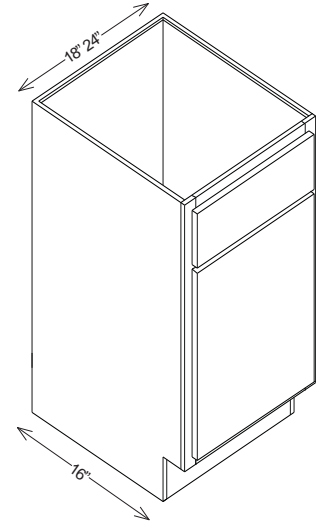
Vanity Sink Base Cabinets



Single Door
 VSB18
 VSB21

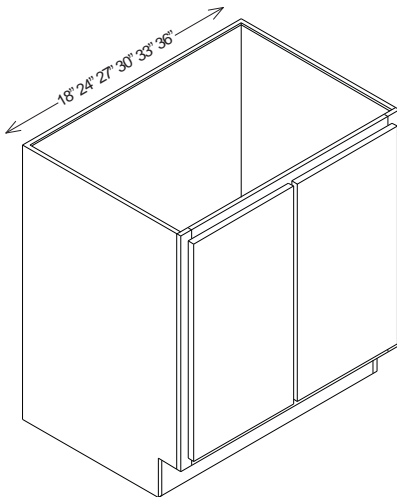


Double Door - Butt
 VSB24B VSB36B
 VSB27B VSB42
 VSB30B VSB48B
 VSB33B VSB54B

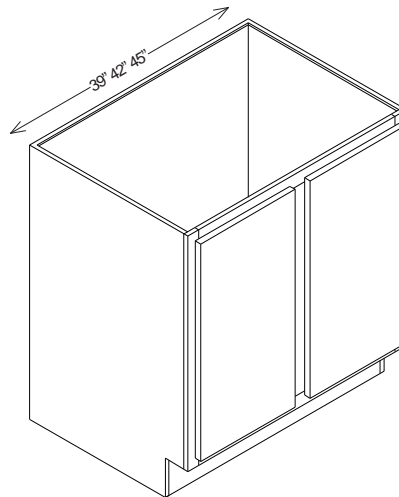


Single Door - 16" Deep
 VSB1816
 VSB2416

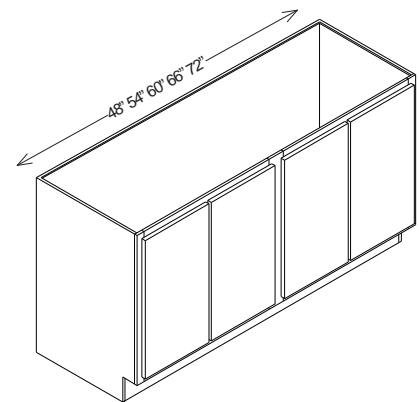
Vanity Sink Base Full Height Door Cabinets



Double Door - Butt
 VSBF18 VSBF30B
 VSBF24B VSBF33B
 VSBF27B VSBF36B



Double Door
 VSBF39
 VSBF42
 VSBF45



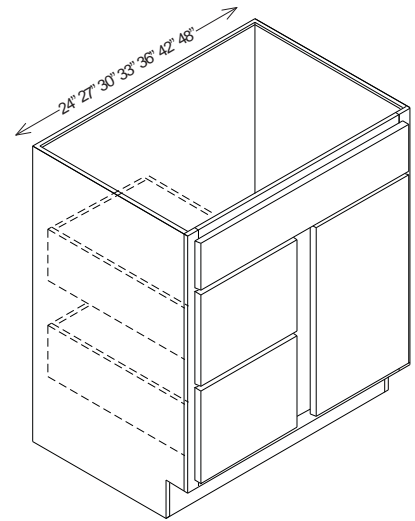
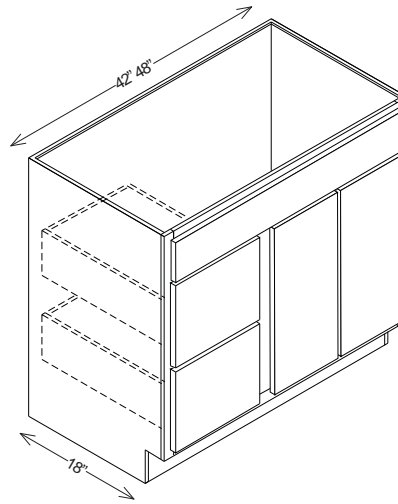
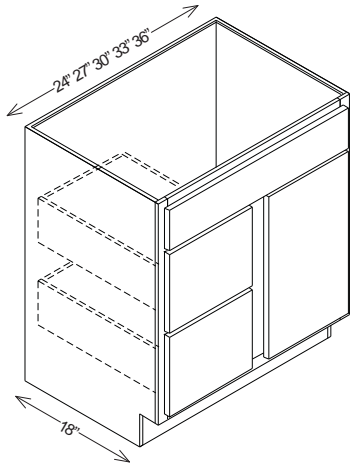
4 Door - Butt
 VSBF48B VSBF66B
 VSBF54B VSBF72B
 VSBF60B

VANITY

Vanity Cabinets

Vanity Sink 2-Drawer Cabinets 18" Deep

Vanity Sink 2-Drawer Cabinets



Vanity Sink Drawer Base
(specify left or right)

VS2D2418 VS2D3318
VS2D2718 VS2D3618
VS2D3018

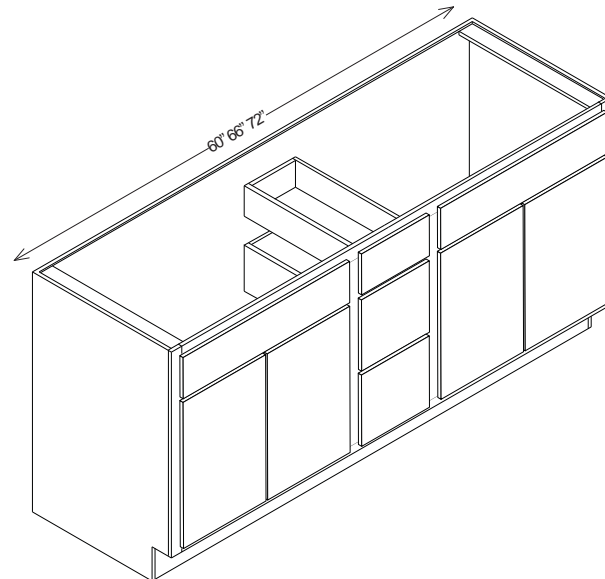
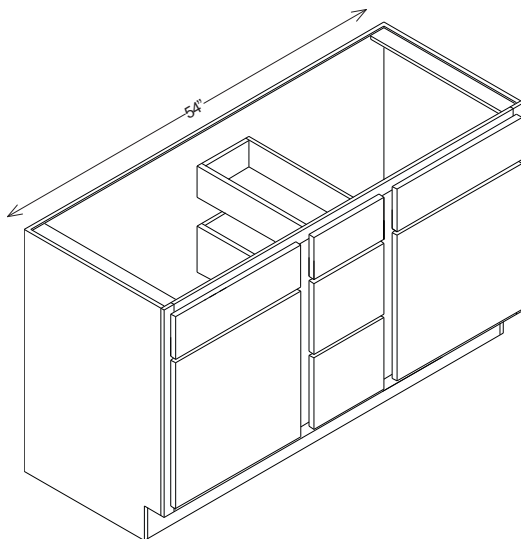
Vanity Sink Drawer Base
(specify left or right)

VS2D4218B
VS2D4818B

Vanity Sink Drawer Base
(specify left or right)

VS2D24B VS2D36
VS2D27 VS2D42B
VS2D30 VS2D48B
VS2D33

Vanity Center Drawer Base Cabinets



2 Door 3 Drawer Combination Van-
ity with 1 Drawer Stack

VCD54

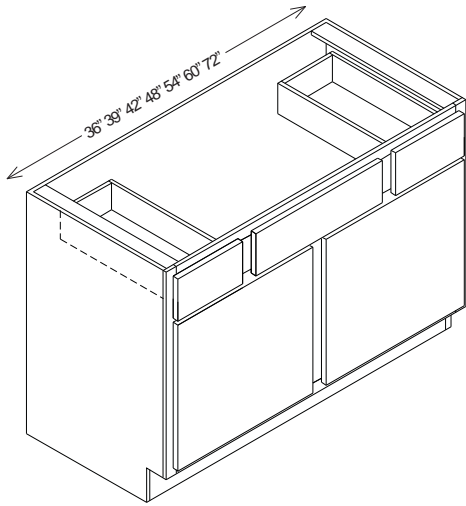
4 Door 3 Drawer Combination Vanity
with 1 Drawer Stack

VCD60B VCD72B
VCD66B

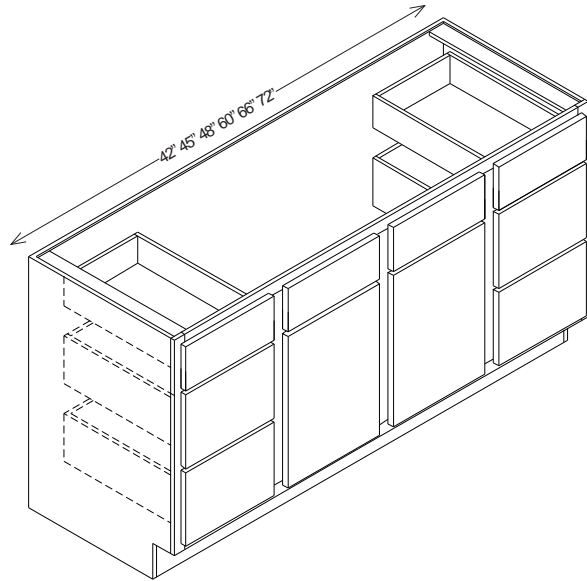
VANITY

Vanity Cabinets

Vanity Sink Combo Cabinets



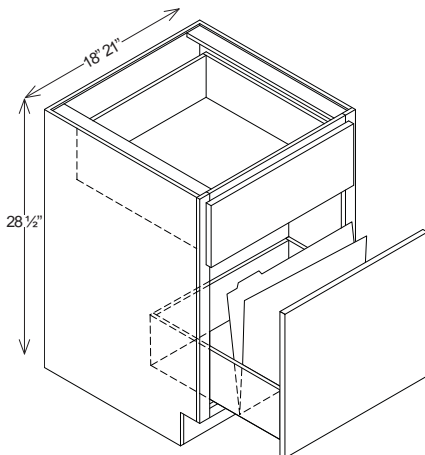
Combination Vanity Sink Base	
VSC36B	VSC54B
VSC39	VSC60B
VSC42	VSC72B
VSC48B	



2 Door with 6 Drawer Combination Vanity	
VS6D42	VS6D60
VS6D45	VS6D66
VS6D48	VS6D72B

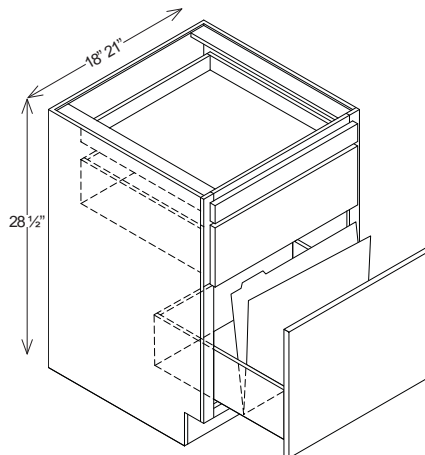
Vanity File Cabinets

Single Door / Drawer Vanity Base Cabinets



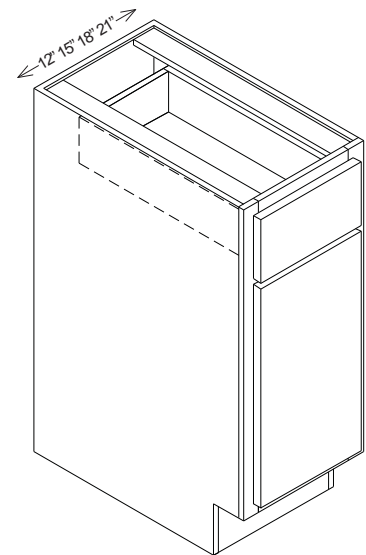
With side mount full extension guides.
*File hang rods not supplied

2 Drawer	
V2D18DH	
V2D21DH	



With side mount full extension guides.
*File hang rods not supplied

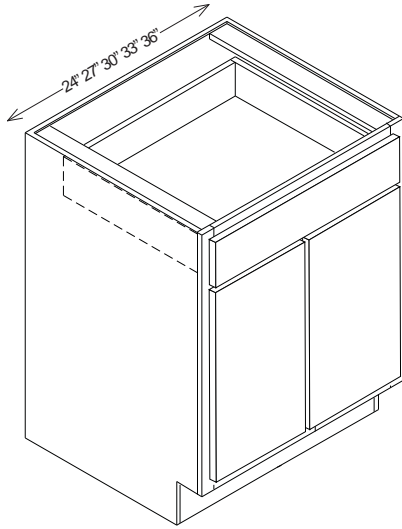
3 Drawer	
V3D18DH	
V3D21DH	



1 Door 1 Drawer	
VB12	VB21
VB15	
VB18	

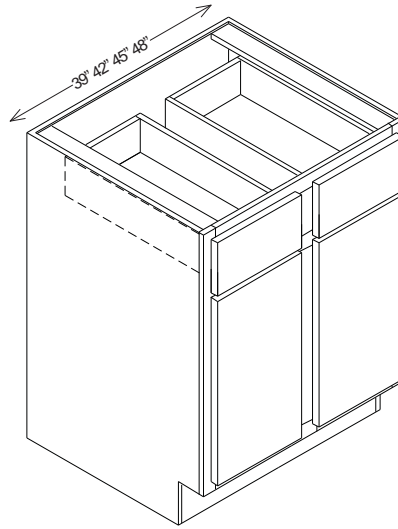
All Vanity Cabinets available as full height.

Double Door / Drawer Vanity Base Cabinets



Double Door - Butt

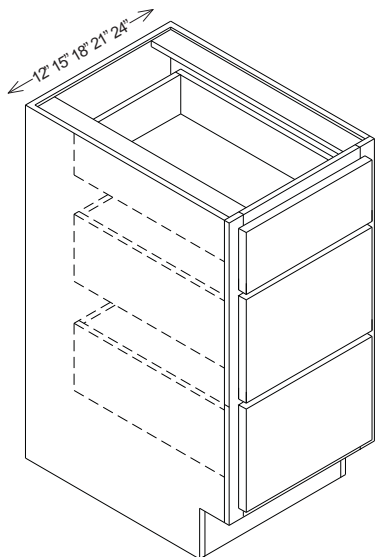
VB24B	VB33B
VB27B	VB36B
VB30B	



2 Doors 2 Drawers

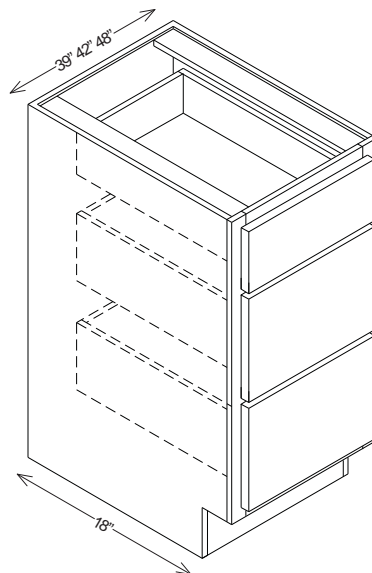
VB39	VB45
VB42	VB48B

3 Drawer Vanity Base Cabinets



Vanity Drawer Base

V3D12	V3D21
V3D15	V3D24
V3D18	

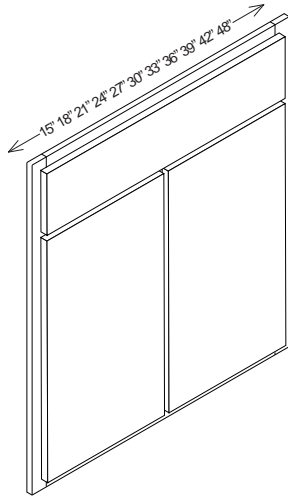


Vanity Drawer Base - 18" Deep

V3D1218	V3D2118
V3D1518	V3D2418
V3D1818	

Vanity Cabinets

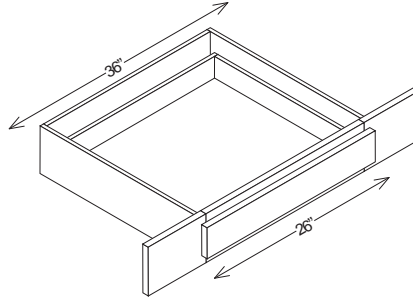
Vanity Sink Front



Double Door

- | | |
|--------|--------|
| VSF15 | VSF33B |
| VSF18 | VSF36B |
| VSF21 | VSF39 |
| VSF24B | VSF42 |
| VSF27B | VSF48B |
| VSF30B | |

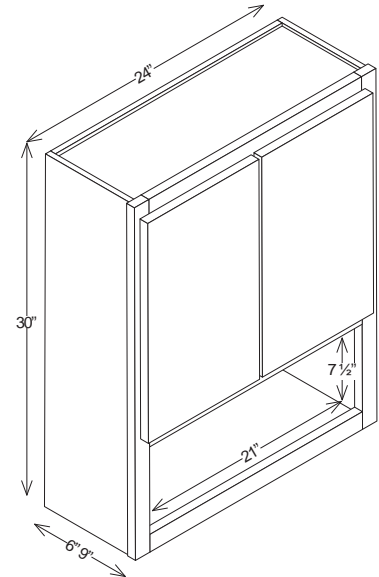
Vanity Knee Drawer



Trimmable to 26"

- VK36 (21" Deep)

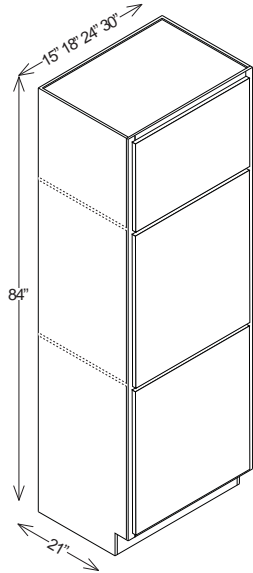
Vanity Wall Boutique



Vanity Wall

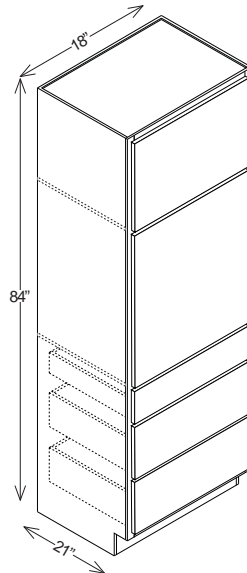
- | | |
|----------|-----------|
| VW2430B | (9" Deep) |
| VW24306B | (6" Deep) |

Tall Linen Cabinets



84" High 21" Deep

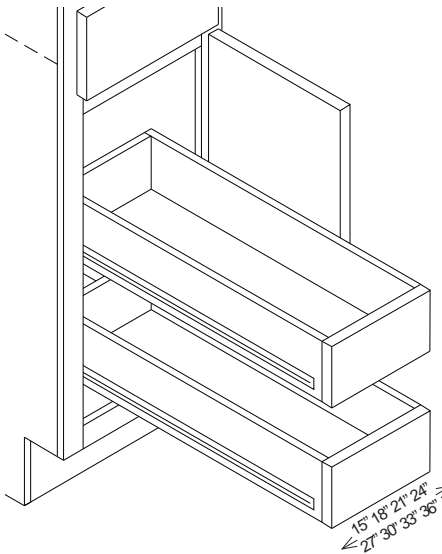
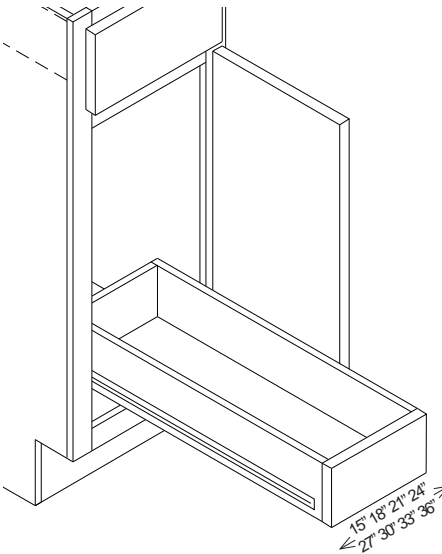
- | | |
|----------|-----------|
| LT158421 | LT248421B |
| LT188421 | LT308421B |



3 Drawer Single Door

- LT3D188421

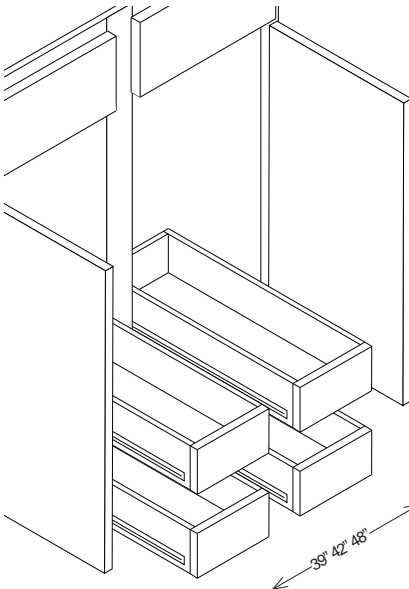
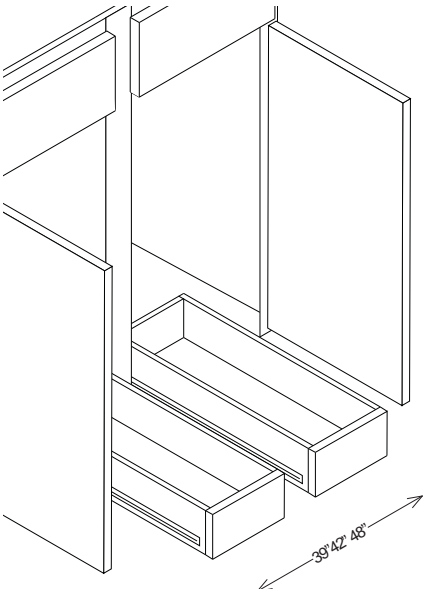
Roll Out Shelves -Single



Single set of 1	
ROS15S	ROS27S
ROS18S	ROS30S
ROS21S	ROS33S
ROS24S	ROS36S

Single set of 2	
ROS15	ROS27
ROS18	ROS30
ROS21	ROS33
ROS24	ROS36

Roll Out Shelves -Double

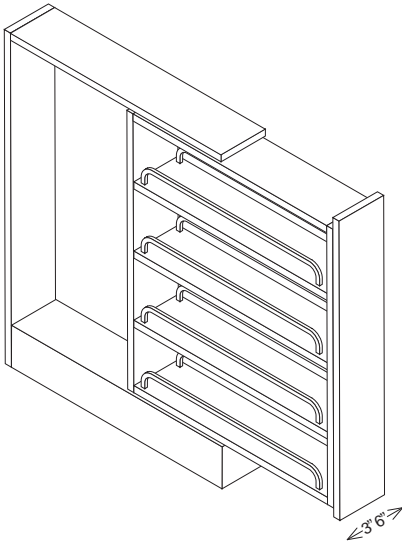


Double set of 2	
ROS39SD	ROS48SD
ROS42SD	

Double set of 4	
ROS39DD	ROS48DD
ROS42DD	

Accessories

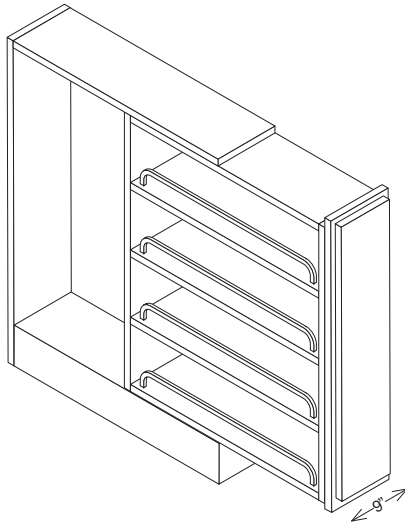
Pull Out Storage Cabinet



Pull out Storage Cabinet

POSC3 (3" wide)

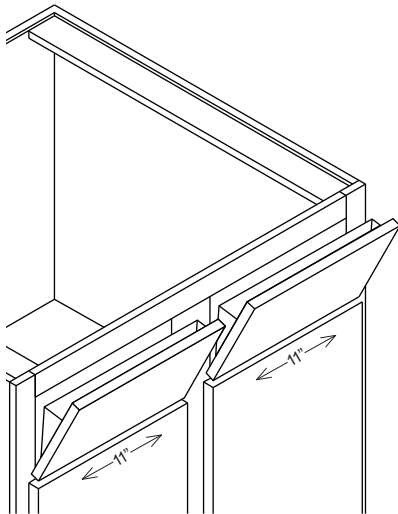
POSC6 (6" wide)



Pull out Storage Cabinet

POSC9 (9" wide)

Tilt-Out Sink Trays

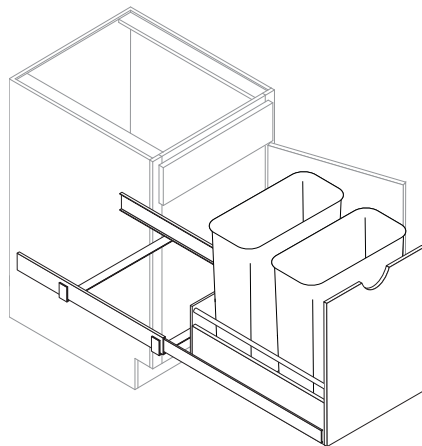


Sink Tray - white

TOST

(11" wide - 9" center for screws)

Waste Bins

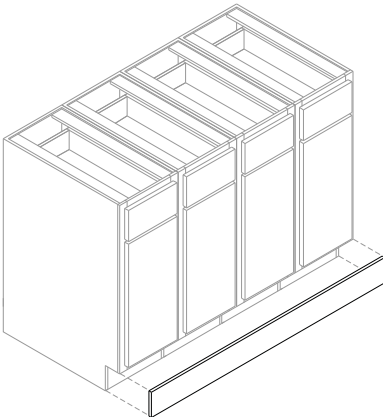


Double Bin

BIN2

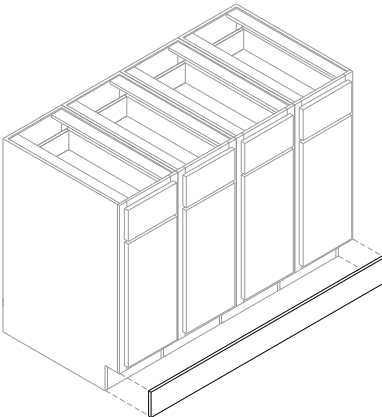
minimum opening 18"
(standard on 21" Base cabinets)

Wood Veneer Toe Kick



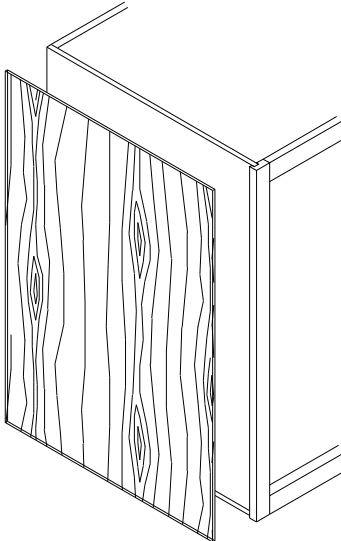
96" Wide	
TK8	(Box of 20)
TK8S	(Single Piece)
TK8SHC	(Handicap)

Laminated Toe Kick



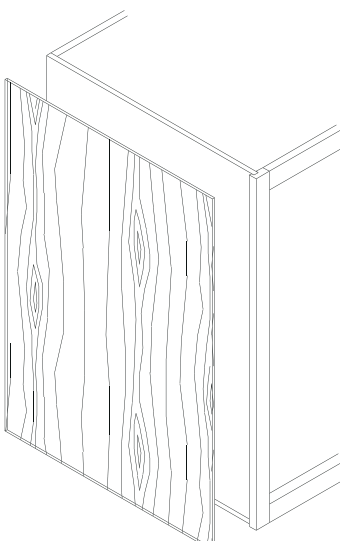
96" Wide	
TK8L	(Box of 20)
TK8LS	(Single Piece)
TK8LSHC	(Handicap)

Wood Veneer End Skins



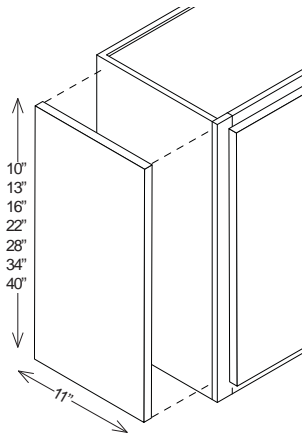
Wood Veneer End Skin	
WES30	BES (base)
WES36	VES (vanity)
WES42	TES (tall)

Laminated End Skins



Laminated End Skin	
WES30L	BESL (base)
WES36L	VESL (vanity)
WES42L	TESL (tall)

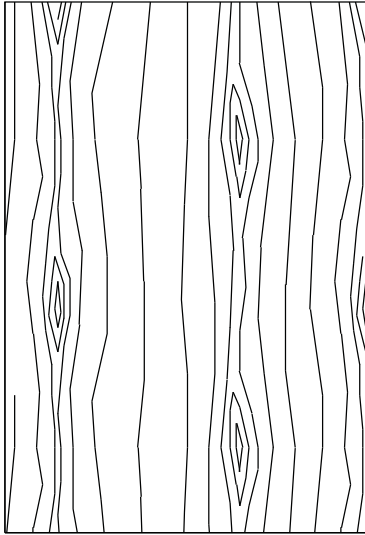
Decorative End Panel



Wall End Panel	
DWP12	DWP30
DWP15	DWP36
DWP18	DWP42
DWP24	
Base End Panel (23x28)	
DBP24	

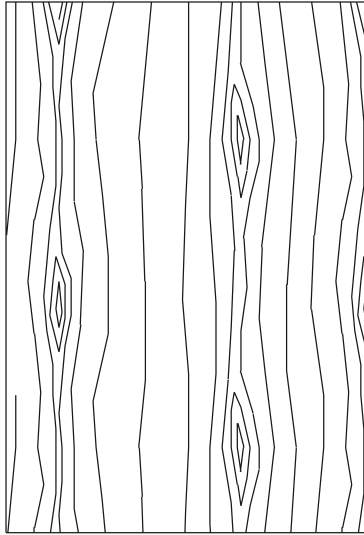
Accessories

Wood Veneer Paneling



Wood Veneer	
P4896	(48" x 96")
P4834.5	(48" x 34.5")

Laminated Paneling



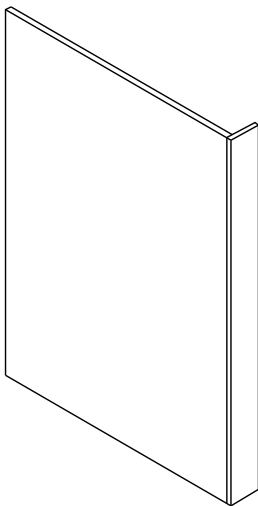
Laminated	
P4896L	(48" x 96")
P4834.5L	(48" x 34.5")

Tall End Panels



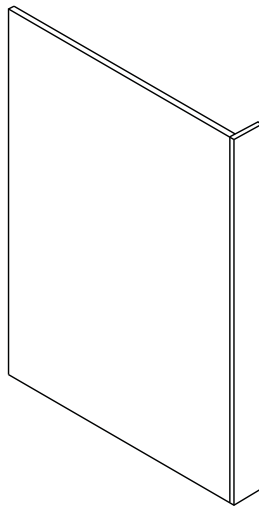
Tall End Panels	
TEP 1.5x84x12	TEP 3x84x12
TEP 1.5x84x24	TEP 3x84x24
TEP 1.5x90x12	TEP 3x90x12
TEP 1.5x90x24	TEP 3x90x24
TEP 1.5x96x12	TEP 3x96x12
TEP 1.5x96x24	TEP 3x96x24
TEP 1.5x96x27	TEP 3x96x27

Wall End Panels



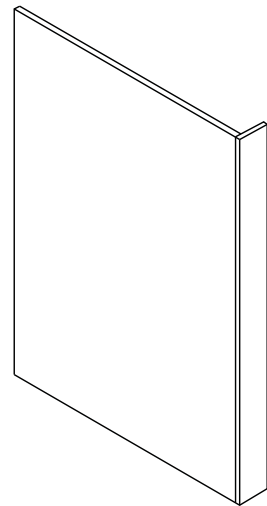
Wall End Panels	
WEP 1.5x30	WEP 3x30
WEP 1.5x36	WEP 3x36
WEP 1.5x42	WEP 3x42

Base End Panels



Base End Panels	
BEP1.5	
BEP3	
BEP6	

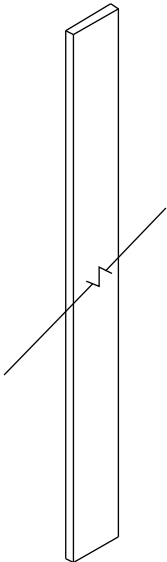
Vanity End Panels



Vanity End Panels	
VEP1.5	
VEP3	

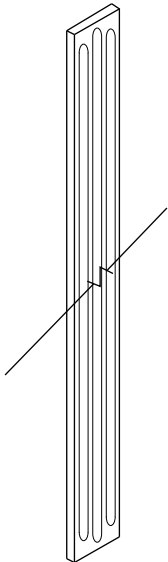
Accessories

Wall / Tall Fillers



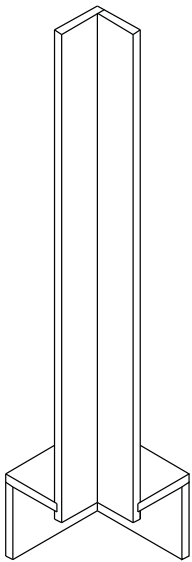
Wall Filler	
WF330	TF384
WF630	TF396
WF342	TF684
WF642	TF696

Fluted Filler



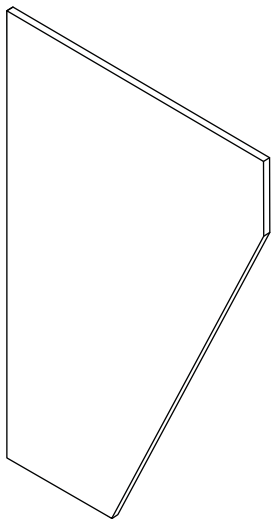
Fluted Filler	
WF330_Flute	
WF336_Flute	
WF342_Flute	

Base Corner Filler



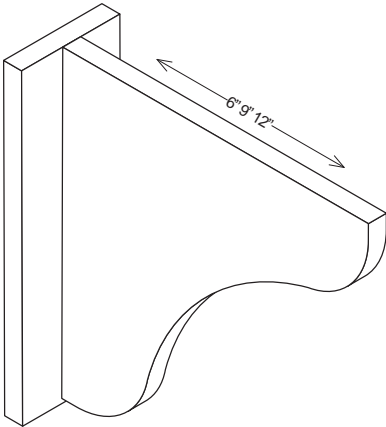
Base Corner	
BCF3x3	

Leg



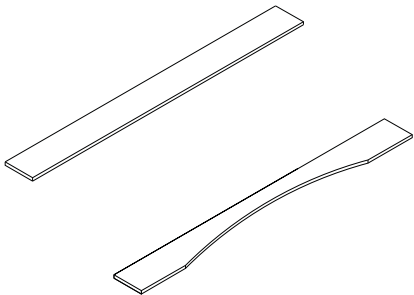
Leg	
BPLEGMI	
VTLEGMI	
VTLEGHCMI	

Wood Support Bracket



Bracket	
WSB66	
WSB99	
WSB1212	

Valance / Arched Valance



Straight	
VAL36	VAL60
VAL39	VAL72
VAL48	VAL84

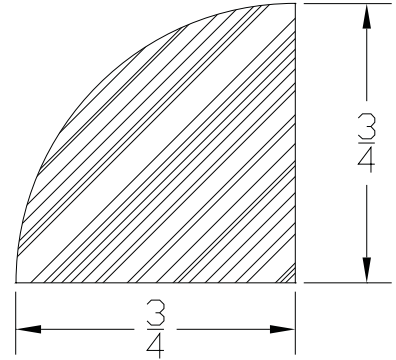
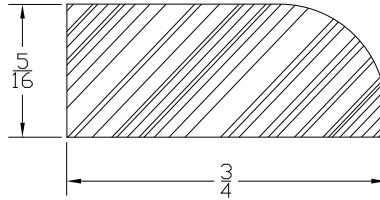
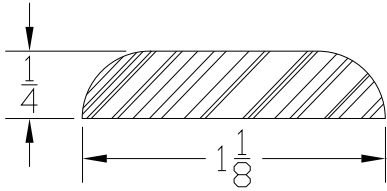
Arched	
A-VAL36	A-VAL72
A-VAL48	
A-VAL60	

Accessories

Batten Moulding

Scribe Moulding

Shoe Moulding



Batten

BM8 (Box of 25)
BM8S (single piece)

Scribe

SCM8 (Box of 25)
SCM8S (single piece)

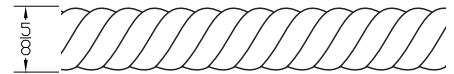
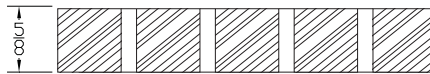
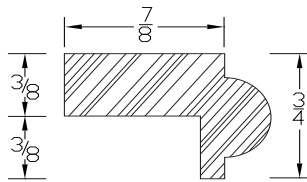
Shoe

SM8 (Box of 25)
SM8S (single piece)

Under Mount Moulding

Dentil Moulding

Rope Moulding



Under Mount

UM8 (Box of 25)
UM8S (single piece)

Dentil

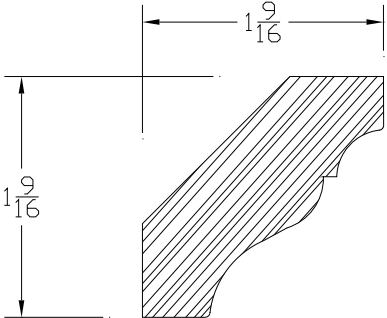
DEN8S (single piece)

Rope

RP8S (single piece)

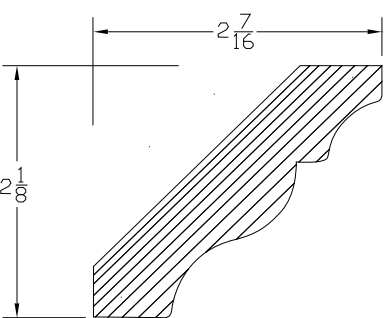
Accessories

Crown Moulding



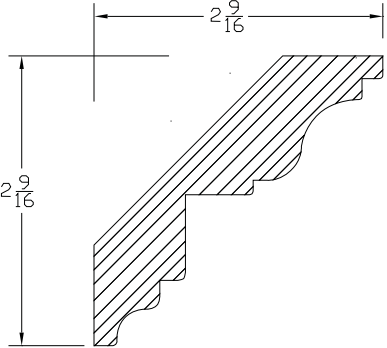
Crown	
CM8	(Box of 10)
CM8S	(single piece)

Large Crown Moulding



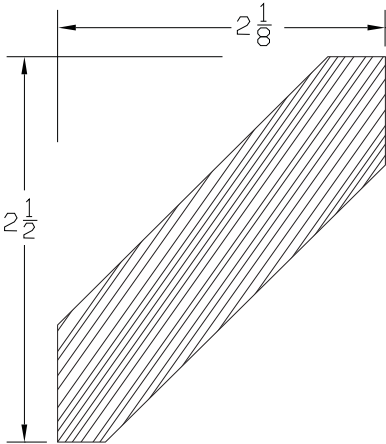
Large Crown	
LCM8	(Box of 10)
LCM8S	(single piece)

Deluxe Crown Moulding



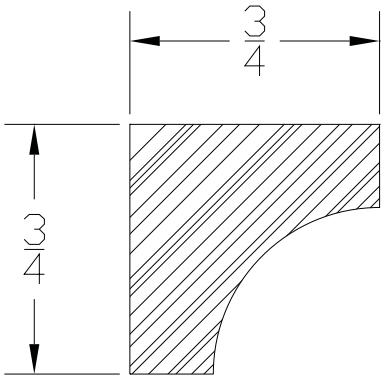
Deluxe	
DLCM8S	(single piece)

Shaker Crown Moulding



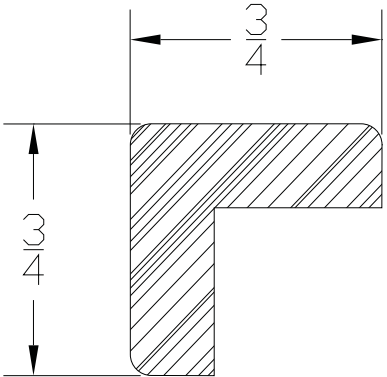
Shaker	
SHCM8	(Box of 10)
SHCM8S	(single piece)

Inside Corner



Inside	
IC8	(Box of 25)
IC8S	(single piece)

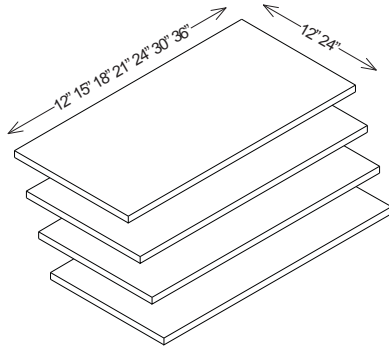
Outside Corner



Outside	
OC8	(Box of 25)
OC8S	(single piece)

Accessories

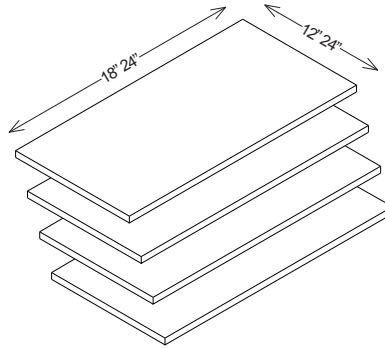
Tall Shelf Kit



Set of 4		
SK 12x12	SK 12x30	SK 24x18
SK 12x15	SK 12x36	SK 24x21
SK 12x18		SK 24x24
SK 12x21	SK 24x12	SK 24x30
SK 12x24	SK 24x15	SK 24x36

DEPTH x WIDTH

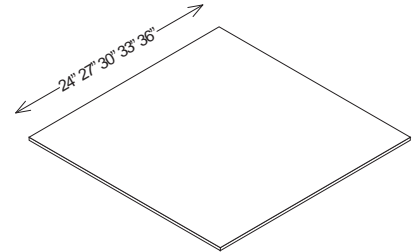
Linen Shelf Kit



Set of 4
SK 21x18
SK 21x24

DEPTH x WIDTH

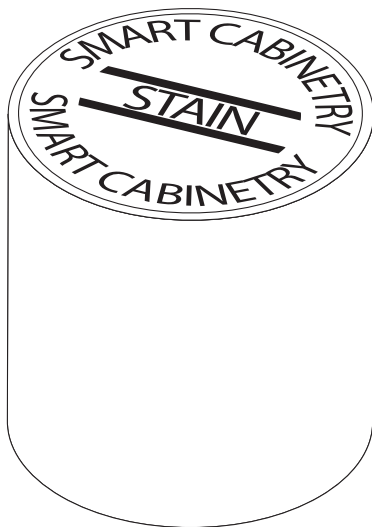
Sink Floor



Floor	
SFF4848	48" x 48"
SFF4896	48" x 96"
SFF4848MI	48" x 48" MI
SFF4896MI	48" x 96" MI

DEPTH x WIDTH

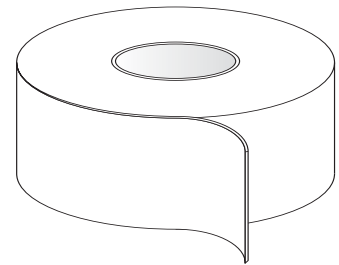
Touch Up



Stains	
QSTAIN	(quart)
TOPCOAT_CAN	(spray)



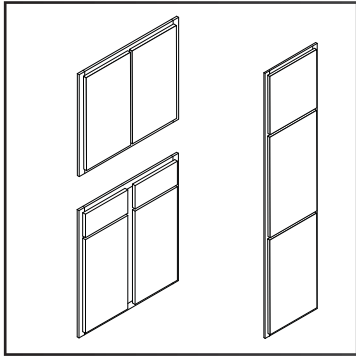
Touch up Kit
TUK



Edge Tape	
EDGE_TAPE_ROLL_1	1" x 150'
EDGE_TAPE_ROLL1_1.5	1 1/2" x 150'
Vinyl - Light Maple, in color matching cabinet interior.	

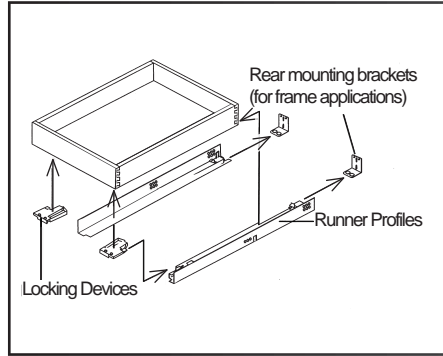
Cabinet Modifications

Door and Face Frame



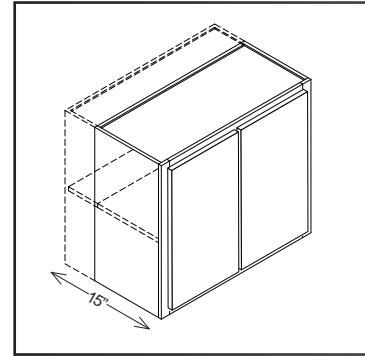
Consists of cabinet frame, door(s), drawer fronts and hinges.

FESC - Full Extension Soft-Close



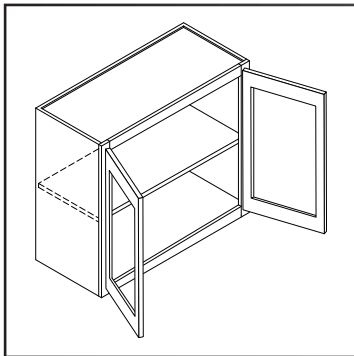
Soft-Close, Concealed Full Extension Guides are available on all cabinets.

ID - Increase Depth



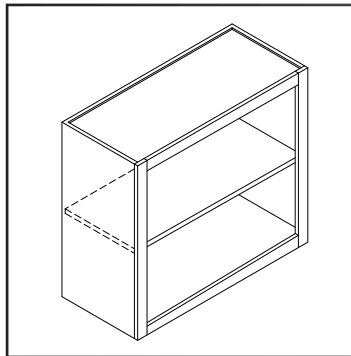
Available on wall cabinets 36" wide and smaller. 3" increments up to 24"

G-PREP - Prepped for Glass



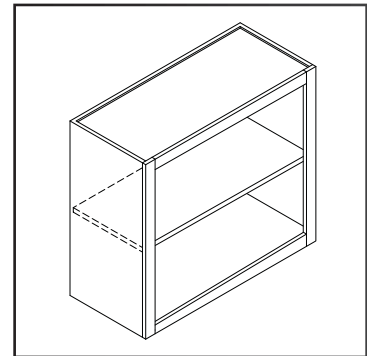
Available on all wall cabinets. Cabinet interior to match exterior, door prepped to receive glass insert.

MI - Matching Interior



Available on all wall cabinets, no doors.

CND - Cabinet NO Doors



Wall cabinets shipped with no doors or hinges.



Smart Cabinetry

2010 Cabinet Specifications Guide