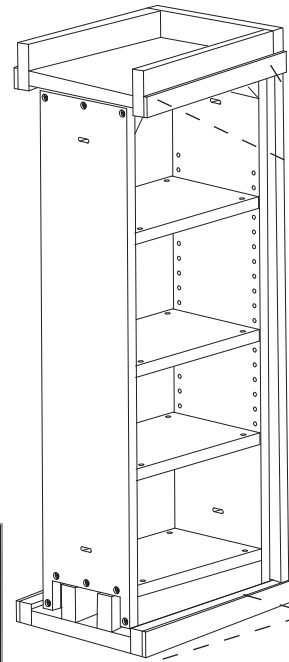


REV-A-SHELF®



Fig 1

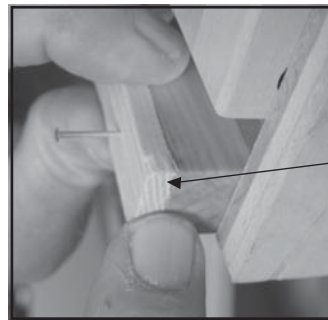
Step 1. Measure scribe rail thickness and length per your specific cabinetry. See Fig 1



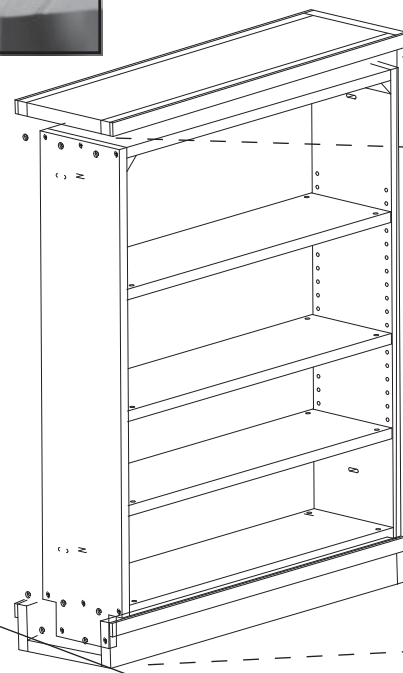
Top Scribe Rail is nailed to bottom edge of top section

Fig 3a
Wall Cabinet

Bottom Scribe Rail is nailed to edge of bottom section



Step 2. Install upper and lower scribe rails to filler pull-outs using small finish nails or brads. See Fig 2. **Note:** Align scribe rails with front edge of filler pull-outs. Align scribe rail to upper section of base cabinet lower mounting strap or lower section of wall cabinet lower mounting strap. See Figs. 3a-b.



Top Scribe Rail is nailed to edge of top section

Fig 3b
Base Cabinet

Bottom Scribe Rail is nailed to edge of bottom section



Fig 2

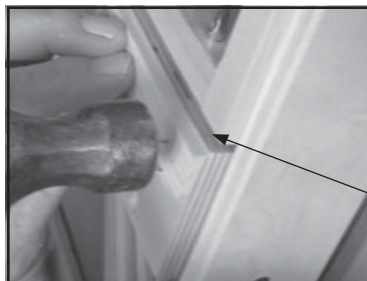




Fig 4a



Fig 4b

Step 3. (Base Cabinets). Pre-drill 3/16 inch holes 3/8 inch down from top of cabinet and also 27-3/4" down from top of cabinet. (See Fig 4a-d). Repeat with other adjacent cabinet.

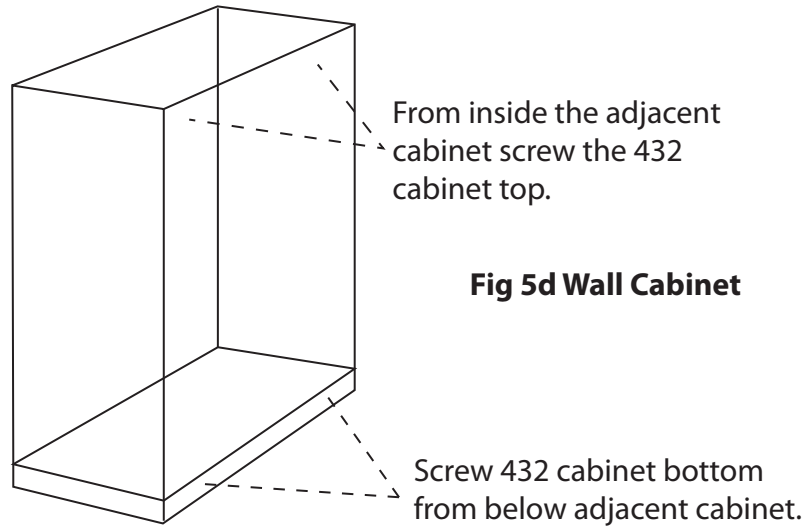


Fig 5d Wall Cabinet

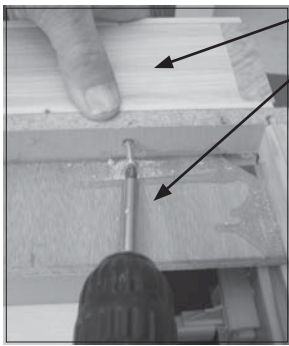


Fig 5a

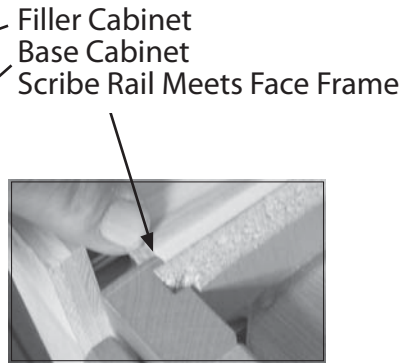


Fig 5b

Step 4. Mount filler cabinet pull-out to adjacent cabinet 1. See Fig. 5a-b

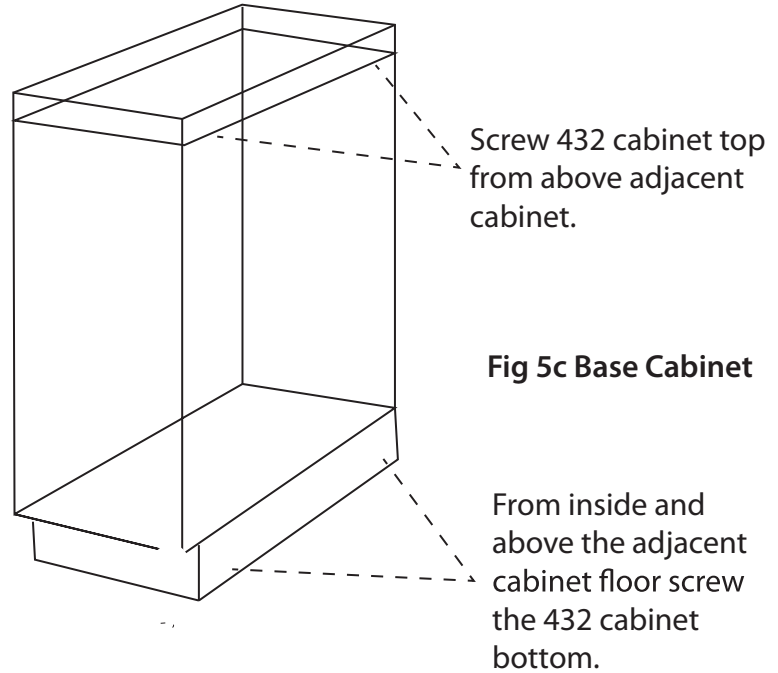


Fig 5c Base Cabinet

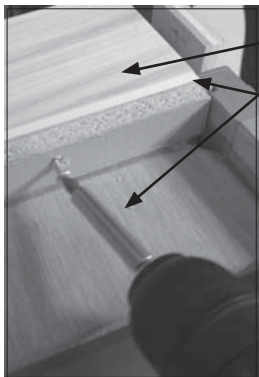


Fig 6

Step 5. Mount filler cabinet pull-out to adjacent cabinet 2. See Fig. 7



Fig 8



Fig 9

Step 7. Attach face frame and onlays (not provided) See Fig. 8-9

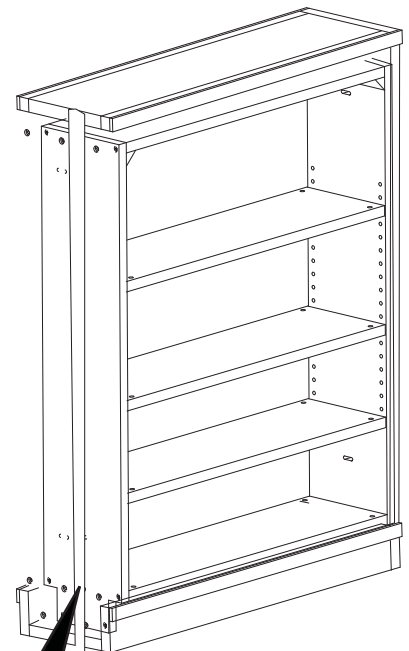


Fig 7

Step 6. Remove front mounting strap. See Fig. 7.