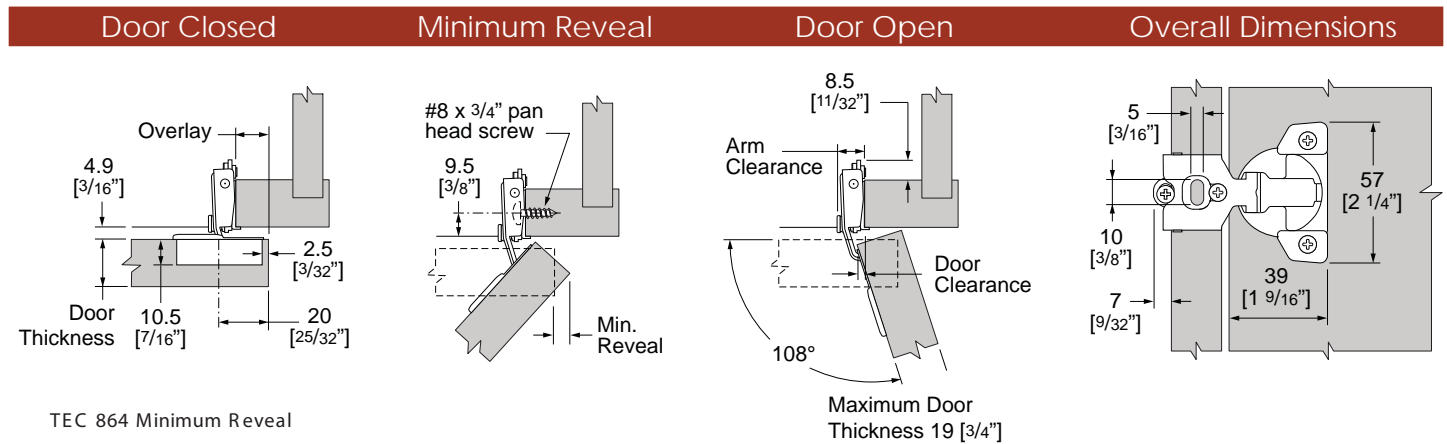


Standard Overlay Hinge

HINGES (includes 2)

- Face Frame Hinges with 3-dimensional Adjustment
- One piece hinge and base plate combination
- For door thickness of up to 3/4"
- Front locating tabs position hinge on face frame
- Micro side adjustment
- Cam depth adjustment
- Height adjustment at mounting screw



TEC 864 Minimum Reveal

Door Thickness 16 [5/8"] 17.5 [1 1/16"] 19 [3/4"]

Minimum Reveal 4.2 [5/32"] 5.4 [7/32"] 6.7 [1/4"]

Based on door with square edge.

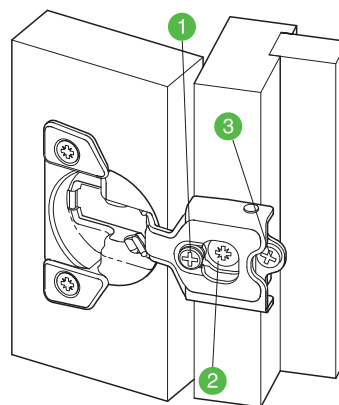
Adjustment Details

- 1 Side Adjustment +/- 1.5mm [1/16"]
 Rotate micro screw.
- 2 Height Adjustment..... +/- 2mm [3/32"]
 Loosen screw, align door, tighten screw.
- 3 Depth Adjustment.....out 2.5mm [3/32"], in .5mm [1/32"]
 Rotate cam screw.

Mounting Screws

Hinge cup to door, #6 x 5/8" Flat head screw

Base plate to face frame, #8 x 3/4" Pan head screw



Number of Hinges per Door

