

# SPECIFICATIONS GUIDE **2024**



**SMART**  
CABINETRY®





DENVER | THERMOFOIL | FULL OVERLAY | IN MATTE BLACK



SWEDONA | MAPLE | FULL OVERLAY | STAINED IN FAWN



FREEPORT  
MAPLE  
MODIFIED FULL OVERLAY  
IN ELEGANT WHITE & CARMEL





LOUISVILLE | MAPLE | FULL OVERLAY | IN SAHARA & UMBER



TAHOE | FIBER BOARD | FULL OVERLAY | PAINTED IN NAUTICAL BLUE





# TABLE OF CONTENTS

---







## WORKING WITH US

WHY SMART CABINETRY	6
OUR GUIDING PRINCIPLES	7
CABINET FEATURES	8

## DESIGN OPTIONS

WOOD TYPE / FINISHES / EDGE PROFILES	12
OVERLAYS	13
MAPLE DOORS	14
OAK DOORS	18
FIBER BOARD DOORS	20

## CABINETS

WALL CABINETS	24
BASE CABINETS	34
TALL CABINETS	42
UNIVERSAL ACCESS CABINETS	52
VANITY CABINETS	55
ACCESSORIES	62

## ORDERING

CABINET MODIFICATIONS	74
ORDERING / ORDER PROCESS	75
ONLINE ORDER ENTRY	76
FREQUENTLY ASKED QUESTIONS	78

## INSTALLATION & CARE

INSTALLATION TIPS	82
CLEANING & CARE	83
MINOR REPAIRS	85
TROUBLESHOOTING	86
CLAIMS INSTRUCTIONS	88
LIMITED 5 YEAR WARRANTY	89





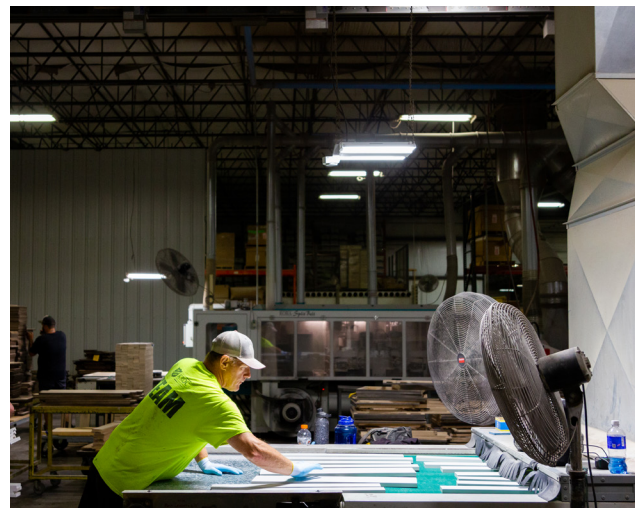
# WHY SMART CABINETRY?

Customer Focused | Budget Conscious | Rapid Delivery

Smart Cabinetry has grown since 2004 into a nationally recognized brand. We work relentlessly to meet & exceed our customer's expectations.

We create long-term relationships with customers, employees, suppliers, and the communities in which we live and work. These relationships, based on openness, integrity, and trust are what keep us motivated.

Our customers are our most important resource, and we work to satisfy every need.





# OUR GUIDING PRINCIPLES

**INTEGRITY** | The foundation for all that we do. Integrity includes honesty, decency, consistency, and courage.

**DIALOGUE** | We are open to diverse points of view and actively engage in thoughtful dialogue. We commit ourselves to broaden our understanding of our issues to better address the needs and concerns of our customers and each other.

**TRANSPARENCY** | We ensure that information is available, accessible and understandable.

**SHARING** | We share knowledge and technology to advance our understanding, improve our products and environment.

**BENEFITS** | We use sound and innovative manufacturing practices and thoughtful and effective stewardship to deliver high-quality products that are beneficial to our customers and the environment.

**RESPECT** | We respect the religious, cultural, ethical concerns of people throughout the world. Our highest priority is the safety of our employees, the communities we operate in, our customers and consumers, and the environment we live in.

**OWNERSHIP** | We create clarity of direction, roles and accountability, build strong relationships with our customers and external partners, make wise decisions, steward our company resources, and take responsibility for achieving agreed-upon results.

**FOSTER A GREAT PLACE TO WORK** | We ensure diversity of people and thought, foster innovation, creativity and learning, practice inclusive teamwork, reward and recognize our people.





# CABINET FEATURES

## STANDARD FEATURES



1/2" Nominal (12mm) particleboard with light maple laminate interior and designated laminated exterior.



5/8" Solid Dovetail Drawers feature four sided construction and captive 1/4" Nominal (6.4 mm) matching laminate bottom. Includes Epoxy Coated drawer slides (75 lb Dynamic)



6-way adjustable hinges are heavy duty, self closing, and concealed within the cabinet door and frame.



1/2" Nominal (12mm) particleboard with light maple laminate interior and designated laminated exterior.



3/4" Nominal (18 mm) Edge Banded Shelves provide both a matching appearance with the interior of the cabinet, and improved water resistance.

## UPGRADE FEATURES



5-Piece Drawer Front



Full Extension Drawer Slides (100 lb Dynamic)



Undermount Soft Close Drawer Slides (100 lb Dynamic)



Soft Close 6-way Adjustable Hinges

## ALL PLYWOOD FEATURES



1/2" Nominal (12 mm) plywood with light maple laminate interior and designated laminated exterior.



I-Beam Construction Rails are 1/2" Nominal (12 mm) plywood. Rails are hot melt glued into face frame, sides, and cabinet back.



5/8" Solid Dovetail Drawers feature four sided construction and captive 1/4" Nominal (6.4 mm) matching plywood bottom. Includes Epoxy Coated drawer slides (75 lb Dynamic)



3/4" Nominal (18 mm) Edge Banded Plywood Shelves provide both a matching appearance with the interior of the cabinet, and improved water resistance.



6-way adjustable hinges are heavy duty, self closing, and concealed within the cabinet door and frame.

## MAX & ULTIMATE FEATURES\*



Max Construction features a 3/4" ACQ pressure treated solid lumber toe kick.



Ultimate Construction features a 2"x6" ACQ pressure treated solid lumber base perimeter touching the floor. (Must order skins for end cabinets)

\*Max and Ultimate Constructions both have the same All Plywood Features shown to the left





# DESIGN OPTIONS

WOOD TYPE / FINISHES / EDGE PROFILES	12
OVERLAYS	13
MAPLE DOORS	14
OAK DOORS	18
FIBER BOARD DOORS	20



SWEDONA | MAPLE | FULL OVERLAY | STAINED IN FAWN



## Need inspiration for your next project?

This section features our selection of door styles, available materials and their finishes to help you plan for your kitchen and bath projects.

Find more kitchen and bath ideas using our cabinets at:

[smartcabinetry.com/gallery.php](http://smartcabinetry.com/gallery.php)





# WOOD TYPES

The type of wood or material that you choose is as much important as the style of your cabinetry. Each wood type holds and absorbs finishes differently. Different material types also feature their unique grain and characteristics.



MAPLE



OAK



FIBER BOARD

# FINISHES

The coatings applied to our cabinets consist of LOW VOC environmentally safe materials. All top coats and stain finishes used by Smart Cabinetry meet or exceed Green Guard Emission Standards. In addition to our environmental stewardship, our coatings have a high durability: resistance of stains, abrasion, chemical, impact, and scratch resistance are among our long list of advantages.

Smart Cabinetry's coatings create less waste and use less energy which ultimately allow us to continue our mission to deliver above industry value at affordable prices. Naturally, however, your choice of wood species will have the most impact on the cabinet's final appearance, because wood grain and natural characteristics will show through stain colors. Color stains will render the actual color of the cabinet, bring out the natural beauty of the wood, and amplify those inherent "character marks".

Softer areas of the wood will accept more stain and often appear darker than other areas. Potential natural variances in color cannot be controlled even with the latest technology in diamond tooling and sanding in multiple stations through out our facility. Differing densities inherently create different effects regardless of the hours expended selecting only the finest hardwoods.



STAIN



PAINT



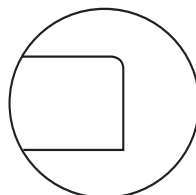
THERMOFOIL



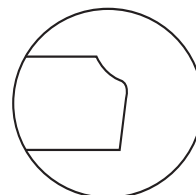
THERMOFUSED  
LAMINATE

# EDGE PROFILES

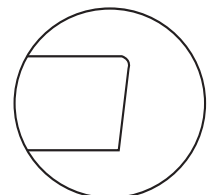
Our door styles offer 3 types of edge profiles. The type of edge profile that your chosen door comes in can have an impact on the overall feel of your space. A reverse edge profile, for example, allows for the opening of the cabinet or drawers without the need for the installation of door handles.



SQUARE



REVERSED  
BEVEL



REVERSED

# OVERLAYS

Overlay refers to how much of the door and drawer front cover the cabinetry frame.



## Standard Overlay

This overlay shows 1" reveal on all sides.



## Modified Full Overlay

A modified overlay leaves a 1/4" reveal on all sides, while leaving a 1" reveal on the top and bottom to allow for counter top and trim.



## Full Overlay

This style of overlay leaves a 1/4" reveal on all sides and in between doors and drawers. This reveal emulates the visual style of a frame-less cabinet.





# MAPLE

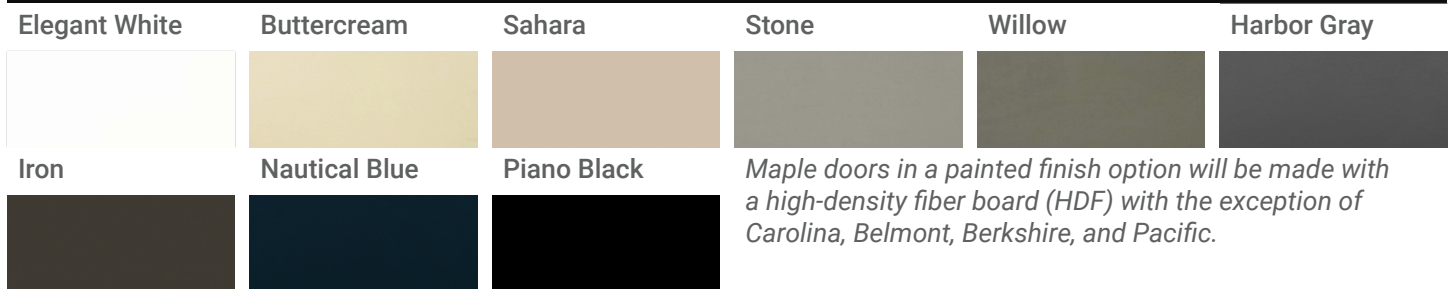
Maple has a smooth texture with tight, uniform grain patterns. It is generally creamy white, varying slightly from almost bright white to light pink or reddish brown. Maple contains a natural resin that causes wood to turn amber as it ages. This change, which is accelerated by exposure to natural light, is more noticeable with lighter stains. Maple may occasionally contain small mineral streaks that form naturally when trees absorb mineral from the soil.

## MAPLE FINISH OPTIONS | M



Paint grade doors, drawer fronts, center panels, cabinet components, moldings, and accessories may feature hardwood, engineered materials (such as HDF or MDF) or a combination of both to create a beautifully finished and durable product. See individual door styles for additional details. Paint grade products have certain inherent characteristics that must be expected. Small hairline cracks may appear at joinery points on doors, drawer fronts, cabinet frames, etc. Also, some grain patterns of wood may be apparent through painted finishes. Painted finishes should be expected to show a slight color change over time. These characteristics are inherent and will not be considered defective.

## PAINT FINISH OPTIONS | P



Printed colors are for representation only. Order samples for accurate color matching.

# MAPLE DOORS

**BELMONT**



Price Group 3

**M|P** ROOT BEER

STYLE	Veneer Flat Panel
DRAWER	5-piece Double Channel Miter
OVERLAY	Full
DOOR RAIL	2 ¼" Rail

**BERKSHIRE**



Price Group 4

**M|P** IRON

STYLE	Veneer Raised Panel Miter
DRAWER	5-piece Double Channel Miter
OVERLAY	Full
DOOR RAIL	2 ¼" Rail

**BOYDTON**



Price Group 2

**M|P** FAWN

STYLE	Veneer Flat Panel
DRAWER	Slab (5-piece up grade available)
OVERLAY	Full
DOOR RAIL	2 ¼" Rail

**BRIGHTON**



Price Group 1

**M|P** AMERICANO

STYLE	Veneer Flat Panel
DRAWER	Slab (5-piece up grade available)
OVERLAY	Standard
DOOR RAIL	2 ¼" Rail

**CAROLINA**



Price Group 4

**M|P** SLATE

STYLE	Veneer Raised Panel Miter
DRAWER	5-piece Double Channel Miter
OVERLAY	Standard
DOOR RAIL	2 ¼" Rail

**CHATEAU\***



Price Group 3

**M|P** NATURAL

STYLE	Routed Slab
DRAWER	Slab
OVERLAY	Standard
DOOR RAIL	Routed Slab

**FREEPORT\***



Price Group 4

**M|P** SILVERGRASS

STYLE	Solid Slab
DRAWER	Slab
OVERLAY	Modified Full
DOOR RAIL	Slab

**LANSING**



Price Group 3

**M|P** GRAPHITE

STYLE	Flat Panel with V-notch
DRAWER	Slab (5-piece up grade available)
OVERLAY	Full
DOOR RAIL	2 ¼" Rail

\*Not recommended for butt door cabinetry. Slab doors depending on the regional environment climate change can decrease or increase in the dryness or humidity. This can cause doors to shrink or swell in size in a very short period of time. Cabinets should not be delivered and stored into areas of drywall mudding, painting, or open air environments. Smart Cabinetry is not responsible or liable for cabinet doors shrinking or swelling after shipping.





# MAPLE DOORS

**LXINGTON**



Price Group 2



**M|P** HONEY

STYLE	Veneer Flat Panel
DRAWER	Slab (5-piece up grade available)
OVERLAY	Standard
DOOR RAIL	2 ¼" Rail

**LOUISVILLE**



Price Group 3



**M|P** FAWN

STYLE	Veneer Flat Panel
DRAWER	Slab (5-piece up grade available)
OVERLAY	Full
DOOR RAIL	2 ¼" Rail

**MASON**



Price Group 3



**M** PECAN

STYLE	Wood Veneer Slab
DRAWER	Wood Veneer Slab
OVERLAY	Full
DOOR RAIL	Slab

**PACIFIC**



Price Group 3



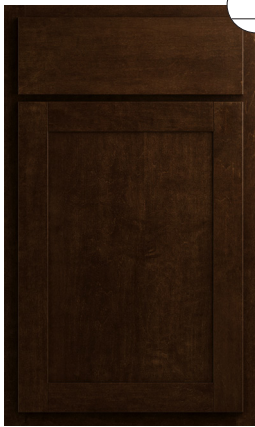
**M|P** CHESTNUT

STYLE	Veneer Flat Panel Miter
DRAWER	5-piece Double Channel Miter
OVERLAY	Standard
DOOR RAIL	2 ¼" Rail

**PORTAGE**



Price Group 2



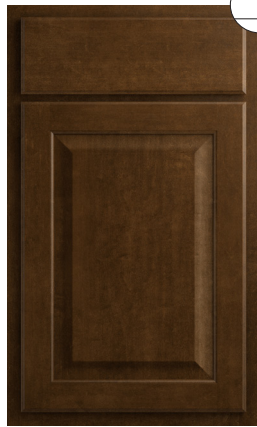
**M|P** COFFEE

STYLE	Flat Panel with V-notch
DRAWER	Slab (5-piece up grade available)
OVERLAY	Standard
DOOR RAIL	2 ¼" Rail

**PRESCOTT**



Price Group 4



**M|P** AMERICANO

STYLE	Veneer Raised Panel
DRAWER	Slab
OVERLAY	Standard
DOOR RAIL	2 ¼" Rail

**ROCKPORT\***



Price Group 2



**M|P** STONE

STYLE	Solid Slab
DRAWER	Slab
OVERLAY	Standard
DOOR RAIL	Slab

**SEDALIA**



Price Group 2



**M|P** UMBER

STYLE	Veneer Flat Panel
DRAWER	Slab (5-piece up grade available)
OVERLAY	Standard
DOOR RAIL	¾" Rail

\*Not recommended for butt door cabinetry. Slab doors depending on the regional environment climate change can decrease or increase in the dryness or humidity. This can cause doors to shrink or swell in size in a very short period of time. Cabinets should not be delivered and stored into areas of drywall mudding, painting, or open air environments. Smart Cabinetry is not responsible or liable for cabinet doors shrinking or swelling after shipping.

### SHEFFIELD



Price Group 2



**M/P** PECAN

STYLE	Veneer Flat Panel
DRAWER	Slab (5-piece up grade available)
OVERLAY	Standard
DOOR RAIL	2 ¼" Rail

### SQUIRE



Price Group 2



**M/P** CARMEL

STYLE	Veneer Flat Panel
DRAWER	Slab (5-piece up grade available)
OVERLAY	Standard
DOOR RAIL	2 ¼" Rail

### SUMMIT



Price Group 3



**M/P** WILLOW

STYLE	Veneer Flat Panel
DRAWER	Slab (5-piece up grade available)
OVERLAY	Full
DOOR RAIL	2 ¼" Rail

### SWEDONA



Price Group 3



**M/P** UMBER

STYLE	Veneer Flat Panel
DRAWER	Slab (5-piece up grade available)
OVERLAY	Full
DOOR RAIL	¾" Rail

### WILMONT



Price Group 4



**M** CARMEL

STYLE	Reversed Raised Panel
DRAWER	Slab (5-piece up grade available)
OVERLAY	Full
DOOR RAIL	2¾" Rail



SQUIRE | MAPLE | STANDARD OVERLAY | PAINTED IN HARBOR GRAY





# OAK

Red oak is characterized by its open grain patterns, which vary from close-knit and vertical, to prominent and arched, with colors ranging from light tan and pink to medium dark red and brown. The color of red oak cabinetry deepens as the wood interacts with natural light. Oak may contain small mineral streaks and some pin knots.

## OAK FINISH OPTIONS | 0



# OAK DOORS

	<b>CLIFTON</b>		<b>CORDELE</b>		<b>DOVER</b>		<b>EDGEWOOD*</b>																																
																																							
Price Group 3	<b>0</b>	<b>PECAN</b>	<b>0</b>	<b>GRAPHITE</b>	<b>0</b>	<b>NATURAL</b>	<b>0</b>	<b>SPICE</b>																															
	<table border="1"><tr><td>STYLE</td><td>Veneer Flat Panel</td></tr><tr><td>DRAWER</td><td>Slab (5-piece up grade available)</td></tr><tr><td>OVERLAY</td><td>Full</td></tr><tr><td>DOOR RAIL</td><td>2 ¼" Rail</td></tr></table>	STYLE	Veneer Flat Panel	DRAWER	Slab (5-piece up grade available)	OVERLAY	Full	DOOR RAIL	2 ¼" Rail		<table border="1"><tr><td>STYLE</td><td>Veneer Flat Panel</td></tr><tr><td>DRAWER</td><td>Slab (5-piece up grade available)</td></tr><tr><td>OVERLAY</td><td>Standard</td></tr><tr><td>DOOR RAIL</td><td>2 ¼" Rail</td></tr></table>	STYLE	Veneer Flat Panel	DRAWER	Slab (5-piece up grade available)	OVERLAY	Standard	DOOR RAIL	2 ¼" Rail		<table border="1"><tr><td>STYLE</td><td>Veneer Flat Panel</td></tr><tr><td>DRAWER</td><td>Slab</td></tr><tr><td>OVERLAY</td><td>Standard</td></tr><tr><td>DOOR RAIL</td><td>2 ¼" Rail</td></tr></table>	STYLE	Veneer Flat Panel	DRAWER	Slab	OVERLAY	Standard	DOOR RAIL	2 ¼" Rail		<table border="1"><tr><td>STYLE</td><td>Solid Slab</td></tr><tr><td>DRAWER</td><td>Slab</td></tr><tr><td>OVERLAY</td><td>Standard</td></tr><tr><td>DOOR RAIL</td><td>Slab</td></tr></table>	STYLE	Solid Slab	DRAWER	Slab	OVERLAY	Standard	DOOR RAIL	Slab
STYLE	Veneer Flat Panel																																						
DRAWER	Slab (5-piece up grade available)																																						
OVERLAY	Full																																						
DOOR RAIL	2 ¼" Rail																																						
STYLE	Veneer Flat Panel																																						
DRAWER	Slab (5-piece up grade available)																																						
OVERLAY	Standard																																						
DOOR RAIL	2 ¼" Rail																																						
STYLE	Veneer Flat Panel																																						
DRAWER	Slab																																						
OVERLAY	Standard																																						
DOOR RAIL	2 ¼" Rail																																						
STYLE	Solid Slab																																						
DRAWER	Slab																																						
OVERLAY	Standard																																						
DOOR RAIL	Slab																																						

Printed colors are for representation only. Order samples for accurate color matching.

# OAK DOORS

**HUDSON**



Price Group 2

**0**      **FAWN**

STYLE	Veneer Flat Panel
DRAWER	Slab
OVERLAY	Standard
DOOR RAIL	2 ¼" Rail

**NANTUCKET\***



Price Group 4

**0**      **PECAN**

STYLE	Solid Slab
DRAWER	Slab
OVERLAY	Modified Full
DOOR RAIL	Slab

**NEWARK**



Price Group 2

**0**      **SILVERGRASS**

STYLE	Veneer Flat Panel
DRAWER	Slab (5-piece up grade available)
OVERLAY	Standard
DOOR RAIL	¾" Rail

**NORWOOD**



Price Group 3

**0**      **NATURAL**

STYLE	¾" Veneer Flat Panel
DRAWER	Slab (5-piece up grade available)
OVERLAY	Full
DOOR RAIL	¾" Rail

**OXFORD**



Price Group 4

**0**      **COFFEE**

STYLE	Veneer Raised Panel
DRAWER	Slab
OVERLAY	Standard
DOOR RAIL	2 ¼" Rail



\*Not recommended for butt door cabinetry. Slab doors depending on the regional environment climate change can decrease or increase in the dryness or humidity. This can cause doors to shrink or swell in size in a very short period of time. Cabinets should not be delivered and stored into areas of drywall mudding, painting, or open air environments. Smart Cabinetry is not responsible or liable for cabinet doors shrinking or swelling after shipping.

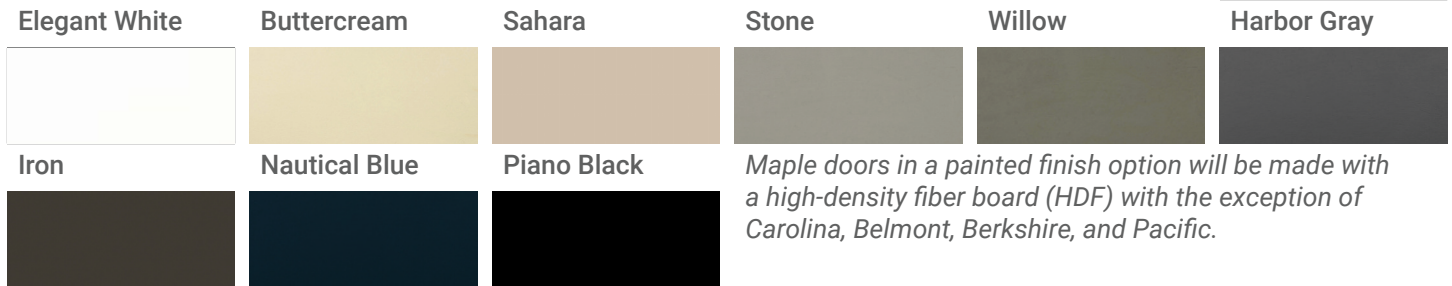




# FIBER BOARD

Paint grade doors, drawer fronts, center panels, cabinet components, moldings, and accessories may feature hardwood, engineered materials (such as HDF or MDF) or a combination of both to create a beautifully finished and durable product. See individual door styles for additional details. Paint grade products have certain inherent characteristics that must be expected. Small hairline cracks may appear at joinery points on doors, drawer fronts, cabinet frames, etc. Also, some grain patterns of wood may be apparent through painted finishes. Painted finishes should be expected to show a slight color change over time. These characteristics are inherent and will not be considered defective.

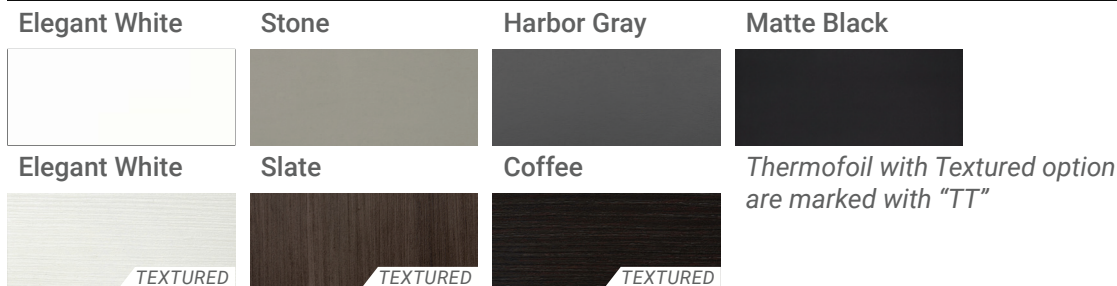
## PAINT FINISH OPTIONS | P



Thermofoil laminate doors and drawer fronts are ¾" thick medium density fiberboard (MDF). The front and four edges of doors and drawers are covered with thermofoil laminate material. Doors are backed with white low pressure melamine.

High heat generated from the self-cleaning cycle of ovens or ranges may discolor thermofoil laminate cabinetry. It is highly recommended to use a heat shield (see page 71) or open the doors and drawers fully while running the self-cleaning cycle. Damage caused by excessive heat is not covered by warranty.

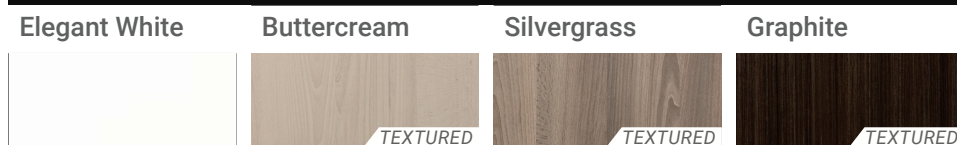
## THERMOFOIL FINISH OPTIONS | T | TT



Thermofused melamine doors and drawer fronts are ¾" thick and are made from melamine laminate that has been thermally fused directly to a substrate. Particle board and MDF are ideal substrates because they are consistent, uniform in strength and free of defects. Doors and drawer fronts feature matching thermofused melamine on the front and back side. Matching edge banding is utilized on door and drawer front edges to complete the process. This material has an excellent scratch and wear resistance.

High heat generated from the self-cleaning cycle of ovens or ranges may discolor thermofused laminate cabinetry. It is highly recommended to use a heat shield (see page 71) or open the doors and drawers fully while running the self-cleaning cycle. Damage caused by excessive heat is not covered by warranty.

## THERMOFUSED LAMINATE FINISH OPTIONS | L



Printed colors are for representation only. Order samples for accurate color matching.

# FIBER BOARD DOORS

**CASCADE\*\***



Price Group 3

**L** SILVERGRASS

STYLE	Solid Slab
DRAWER	Slab
OVERLAY	Full
DOOR RAIL	Slab

**CHELSEA**



Price Group 3

**P** NAUTICAL BLUE

STYLE	Reversed Raised Panel
DRAWER	Slab (5-piece up grade available)
OVERLAY	Full
DOOR RAIL	2 3/4" Rail

**DENVER\*\***



Price Group 4

**T** MATTE BLACK

STYLE	Shaker Style Slab
DRAWER	Shaker Style Slab
OVERLAY	Full
DOOR RAIL	2 1/4" Rail

**NORTHPORT\*\***



Price Group 3

**T|TT** SLATE

STYLE	Solid Slab
DRAWER	Slab
OVERLAY	Full
DOOR RAIL	Slab

**TAHOE**



Price Group 3

**P** ELEGANT WHITE

STYLE	Solid Slab
DRAWER	Slab
OVERLAY	Full
DOOR RAIL	Slab

**VALDEZ**



Price Group 4

**T** HARBOR GRAY

STYLE	Veneer Flat Panel
DRAWER	Slab (5-piece up grade available)
OVERLAY	Full
DOOR RAIL	3/4" Rail



VALDEZ | THERMOFOIL | FULL OVERLAY | IN STONE

\*\* Heat shield are required for installations next to heat sources; stoves, ovens, heaters, etc. Heat shield are on page 71.





# CABINETS

WALL CABINETS	24
BASE CABINETS	34
TALL CABINETS	42
UNIVERSAL ACCESS CABINETS	52
VANITY CABINETS	55
ACCESSORIES	62



LOUISVILLE | MAPLE | FULL OVERLAY | IN SAHARA & UMBER

# T368424B

## Cabinet Type

Letter preceding catalog number designates cabinet type  
(ex. Tall Cabinet)

## Cabinet Width

First number listed  
(ex. 36" wide)

## Cabinet Height

Second number listed  
(ex. 84" tall)

## Cabinet Depth

Third number listed  
(ex. 24" deep)

## Modifications

Letter(s) following catalog number  
designates modification(s)  
(ex. Butt Door)

*See modifications on page 74*





# WALL CABINETS

Standard construction is shown below. Shelf clips not shown. Specifications subject to change without notice. Materials may differ depending upon cabinet construction.

**BACK** |  $\frac{1}{2}$ " Woodgrain laminate rabbeted into ends, wood glued & stapled on top & bottom.

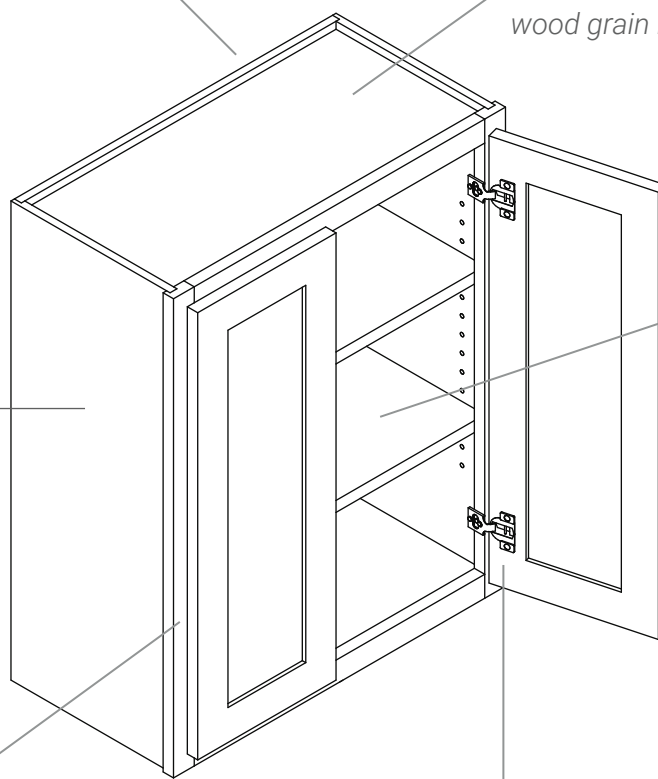
**TOP & BOTTOMS** |  $\frac{1}{2}$ " Substrate with light maple wood grain laminate interior & exterior.

**END PANELS** |  $\frac{1}{2}$ " Substrate with light maple wood grain interior, designated laminated exterior.

**ADJUSTABLE SHELVES** |  $\frac{3}{4}$ " Thick edgebanded particle board shelves are attached with locking shelf clips.

**FRAMES** |  $\frac{3}{4}$ " Thick &  $1\frac{1}{2}$ " wide kiln-dried hardwood, assembled under pressure with screws. Offers maximum strength & squareness.

**HINGES** | 108° 6-way adjustable, self-closing concealed hinges.



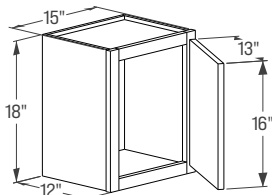
# WALL CABINETS

- Adjustable shelf quantities listed in ( ) below.
- 12-39" high wall cabinets receive two hinges per door; 42" high wall cabinets receive three hinges per door.
- 6-24" altered depth modification available in 3" increments.
- 24" depth cabinets must be installed between cabinets or end panels of the same depth.

## SINGLE DOOR | 12" Deep

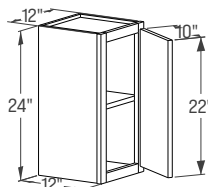
18" High (0)

**W1518**  
W1818  
W2118  
W2418



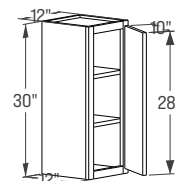
24" High (1)

**W1224**  
W1524  
W1824  
W2124  
W2424



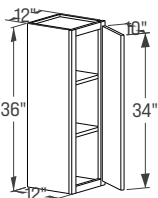
30" High (2)

**W930**  
**W1230**  
W1530  
W1830  
W2130  
W2430



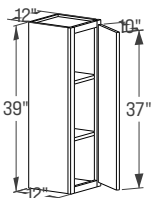
36" High (2)

**W936**  
**W1236**  
W1536  
W1836  
W2136  
W2436



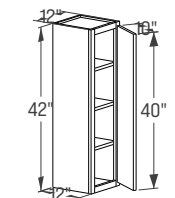
39" High (2)

**W939**  
**W1239**  
W1539  
W1839  
W2139  
W2439



42" High (3)

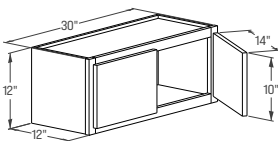
**W942**  
**W1242**  
W1542  
W1842  
W2142  
W2442



## BUTT DOORS | 12" Deep (NON-BUTT AVAILABLE)

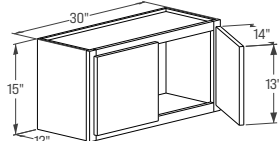
12" High (0)

**W3012B**  
W3312B  
W3612B  
W4812B  
(4 Doors)



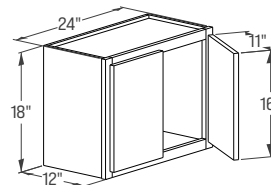
15" High (0)

**W3015B**  
W3315B  
W3615B  
W4815B  
(4 Doors)



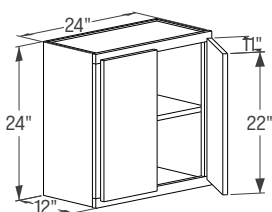
18" High (0)

**W2418B**  
W2718B  
W3018B  
W3318B  
W3618B  
W4818B  
(4 Doors)



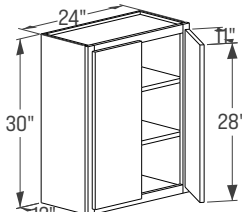
24" High (1)

**W2424B**  
W2724B  
W3024B  
W3324B  
W3624B  
W4824B  
(4 Doors)



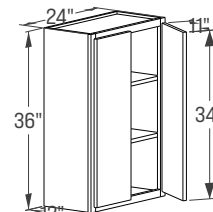
30" High (2)

**W2430B**  
W2730B  
W3030B  
W3330B  
W3630B  
W4830B  
(4 Doors)



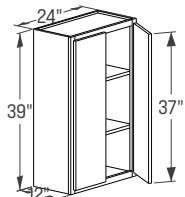
36" High (2)

**W2436B**  
W2736B  
W3036B  
W3336B  
W3636B



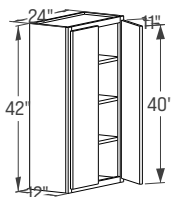
39" High (2)

**W2439B**  
W2739B  
W3039B  
W3339B  
W3639B



42" High (3)

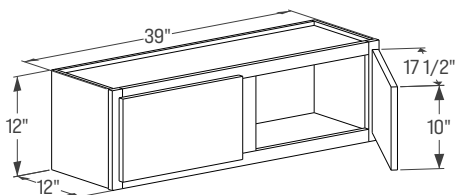
**W2442B**  
W2742B  
W3042B  
W3342B  
W3642B



## DOUBLE DOORS | 12" Deep

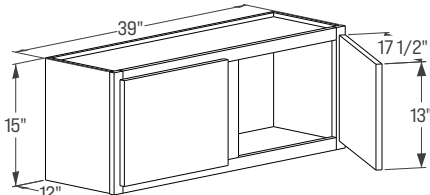
12" High (0)

**W3912**  
W4212



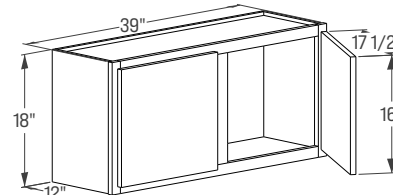
15" High (0)

**W3915**  
W4215



18" High (0)

**W3918**  
W4218  
W4518

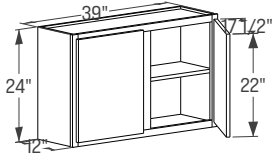




## DOUBLE DOORS | 12" Deep

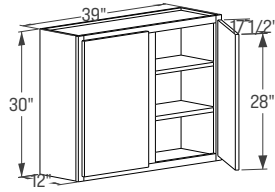
24" High (1)

W3924  
W4224  
W4524



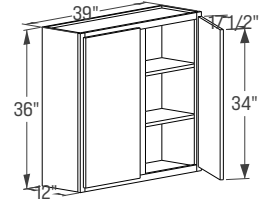
30" High (2)

W3930  
W4230  
W4530



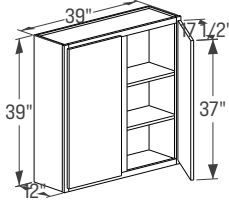
36" High (2)

W3936  
W4236  
W4536



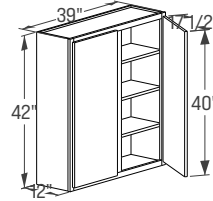
39" High (2)

W3939  
W4239



42" High (3)

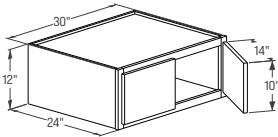
W3942  
W4242  
W4542



## BUTT DOORS | 24" Deep (NON-BUTT AVAILABLE)

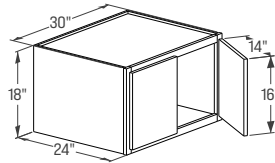
12" High (0)

W241224B  
W271224B  
W301224B  
W331224B  
W361224B  
W481224B  
(4 Doors)



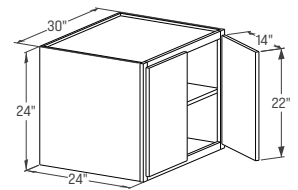
18" High (0)

W241824B  
W271824B  
W301824B  
W331824B  
W361824B  
W481824B  
(4 Doors)



24" High (1)

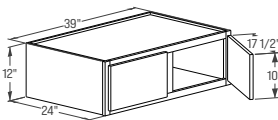
W242424B  
W272424B  
W302424B  
W332424B  
W362424B  
W482424B  
(4 Doors)



## DOUBLE DOORS | 24" Deep

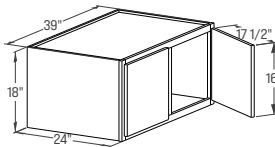
12" High (0)

W391224  
W421224



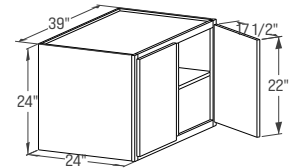
18" High (0)

W391824  
W421824



24" High (1)

W392424  
W422424



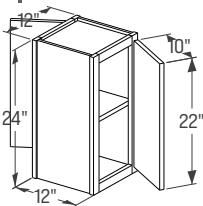
# PENINSULA WALL CABINETS

- Adjustable shelf quantities listed in ( ) below.
- 12-39" high wall cabinets receive two hinges per door; 42" high wall cabinets receive three hinges per door.
- 15-24" altered depth modification available in 3" increments.

## SINGLE DOOR | 12" Deep

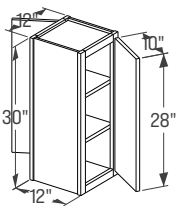
24" High (1)

**W1224P**  
W1524P  
W1824P  
W2124P



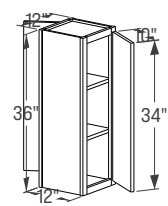
30" High (2)

**W930P**  
**W1230P**  
W1530P  
W1830P  
W2130P



36" High (2)

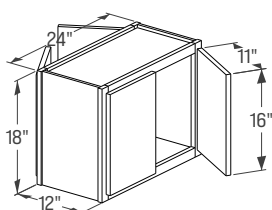
**W936P**  
**W1236P**  
W1536P  
W1836P  
W2136P



## BUTT DOORS | 12" Deep (NON-BUTT AVAILABLE)

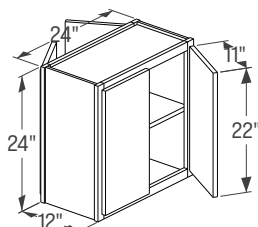
18" High (0)

**W2418BP**  
W2718BP  
W3018BP  
W3318BP  
W3618BP  
W4818BP  
(4 Doors)



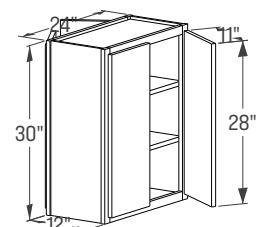
24" High (1)

**W2424BP**  
W2724BP  
W3024BP  
W3324BP  
W3624BP  
W4824BP  
(4 Doors)



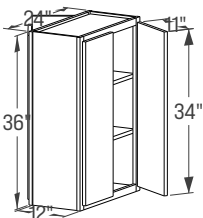
30" High (2)

**W2430BP**  
W2730BP  
W3030BP  
W3330BP  
W3630BP  
W4830BP  
(4 Doors)



36" High (2)

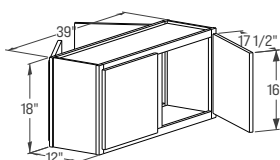
**W2436BP**  
W2736BP  
W3036BP  
W3336BP  
W3636BP



## DOUBLE DOORS | 12" Deep

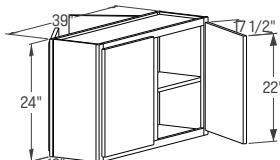
18" High (0)

**W3918P**  
W4218P  
W4518P



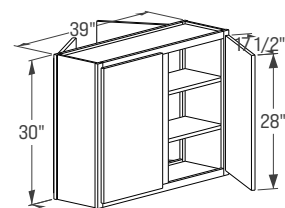
24" High (1)

**W3924P**  
W4224P  
W4524P



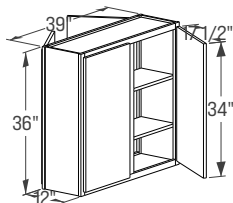
30" High (2)

**W3930P**  
W4230P  
W4530P



36" High (2)

**W3936P**  
W4236P

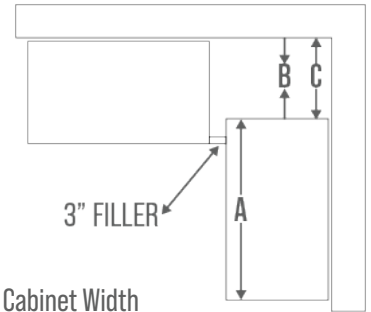




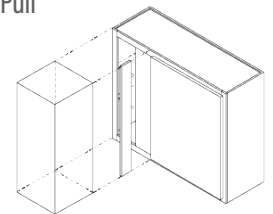
# WALL BLIND CABINETS

- Adjustable shelf quantities listed in ( ) below.
- 15-39" high wall cabinets receive two hinges per door; 42" high wall cabinets receive three hinges per door.
- 15-24" altered depth modification available in 3" increments. Order filler separately.
- Reversible for left or right.
- If hardware applied, pull 1" over minimum space.
- 6" center stile allows room to pull cabinet.

	CABINET WIDTH	MINIMUM PULL	MAXIMUM PULL	STANDARD	FULL OVERLAY
WBC24	23"	1"	5"	10"	11 <sup>1</sup> / <sub>2</sub> "
WBC27	26"	1"	5"	13"	14 <sup>1</sup> / <sub>2</sub> "
WBC30	29"	1"	5"	16"	17 <sup>1</sup> / <sub>2</sub> "
WBC33	32"	1"	5"	19"	20 <sup>1</sup> / <sub>2</sub> "
WBC36B	35"	1"	5"	11"	11 <sup>3</sup> / <sub>4</sub> "
WBC39B	38"	1"	5"	12 <sup>1</sup> / <sub>2</sub> "	13 <sup>1</sup> / <sub>4</sub> "
WBC42B	41"	1"	5"	14"	14 <sup>3</sup> / <sub>4</sub> "
WBC45B	44"	1"	5"	15 <sup>1</sup> / <sub>2</sub> "	16 <sup>3</sup> / <sub>4</sub> "
WBC48B	47"	1"	5"	17"	17 <sup>3</sup> / <sub>4</sub> "



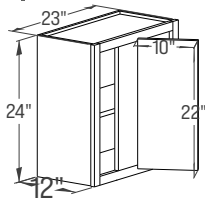
A = Cabinet Width  
 B = Minimum Pull  
 C = Maximum Pull



## SINGLE DOOR | 12" Deep

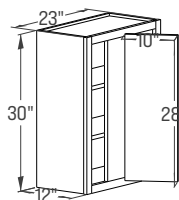
24" High (1)

- WBC2424
- WBC2724
- WBC3024
- WBC3324



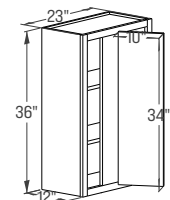
30" High (2)

- WBC2430
- WBC2730
- WBC3030
- WBC3330



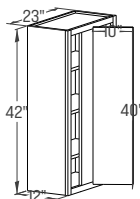
36" High (2)

- WBC2436
- WBC2736
- WBC3036
- WBC3336



42" High (2)

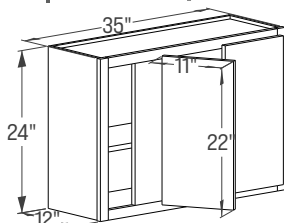
- WBC2442
- WBC2742
- WBC3042
- WBC3342



## BUTT DOORS | 12" Deep (NON-BUTT AVAILABLE)

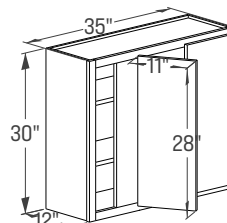
24" High (1)

- WBC3624B
- WBC3924B
- WBC4224B
- WBC4524B
- WBC4824B



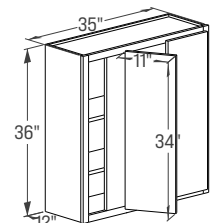
30" High (2)

- WBC3630B
- WBC3930B
- WBC4230B
- WBC4530B
- WBC4830B



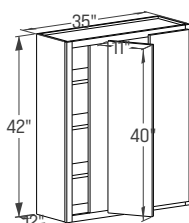
36" High (2)

- WBC3636B
- WBC3936B
- WBC4236B
- WBC4536B
- WBC4836B



42" High (3)

- WBC3642B
- WBC3942B
- WBC4242B
- WBC4542B
- WBC4842B

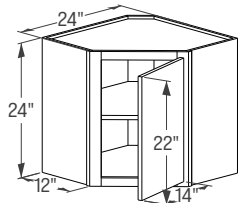


# CORNER WALL CABINETS

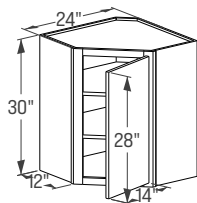
- Adjustable shelf quantities listed in ( ) below. Square corner cabinets have fixed shelves. Lazy Susan cabinets include 2 fixed spinners.
- 15-39" high wall cabinets receive two hinges per door; 42" high wall cabinets receive three hinges per door.

## SINGLE DOOR | 12" Deep

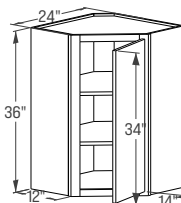
24" High (1)  
DWA2424



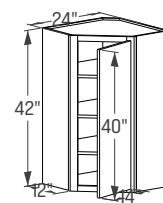
30" High (2)  
DWA2430



36" High (2)  
DWA2436

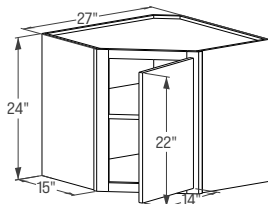


42" High (3)  
DWA2442

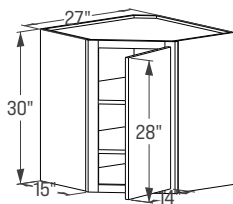


## SINGLE DOOR | 15" Deep

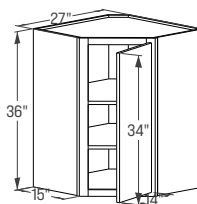
24" High (1)  
DWA272415



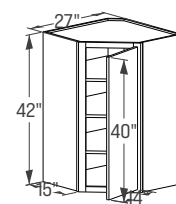
30" High (2)  
DWA273015



36" High (2)  
DWA273615

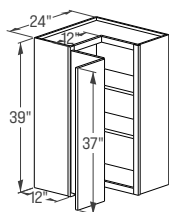


42" High (3)  
DWA274215

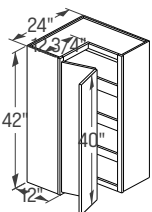


## SQUARE CORNER | 12" Deep

39" High (2)  
SCW2439

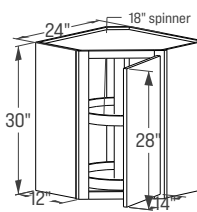


42" High (2)  
SCW2442

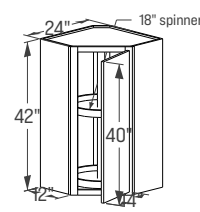


## LAZY SUSAN | 12" Deep

30" High (2)  
DWALS2430



42" High (2)  
DWALS2442

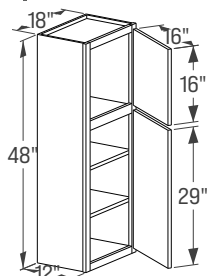


# STACKED WALL CABINETS

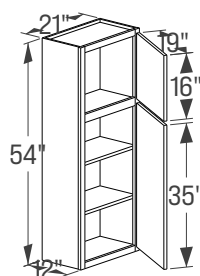
- Adjustable shelf quantities listed in ( ) below.
- 27-36" wide butt/non-butt door options available in 3" increments.
- 9-24" altered depth modification available in 3" increments.

## SINGLE DOOR | 12" Deep

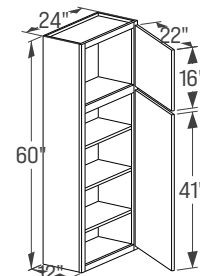
48" High (3)  
WST1548  
WST1848  
WST2148  
WST2448



54" High (3)  
WST1554  
WST1854  
WST2154  
WST2454



60" High (4)  
WST1560  
WST1860  
WST2160  
WST2460





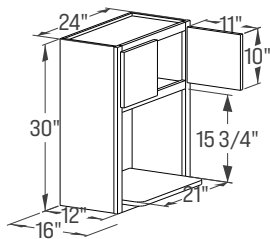
# MICROWAVE WALL CABINETS

- Adjustable shelf quantities listed in ( ) below.
- 30-42" high cabinets receive two hinges per door.
- 16" deep microwave shelf is shipped separately.
- Includes matching interior.

## BUTT DOORS | 12" Deep (NON-BUTT AVAILABLE)

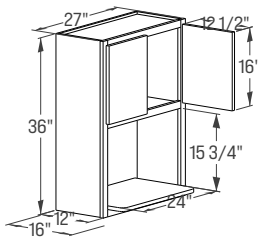
30" High (0)

MWW243012BEXSMI  
MWW273012BEXSMI  
MWW303012BEXSMI



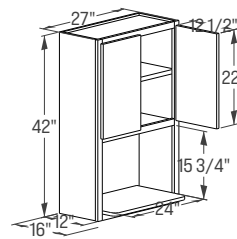
36" High (0)

MWW243612BEXSMI  
MWW273612BEXSMI  
MWW303612BEXSMI



42" High (1)

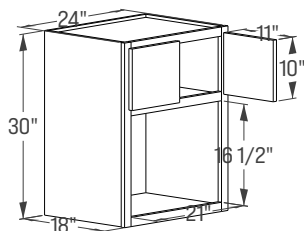
MWW244212BEXSMI  
MWW274212BEXSMI  
MWW304212BEXSMI



## BUTT DOORS | 18" Deep (NON-BUTT AVAILABLE)

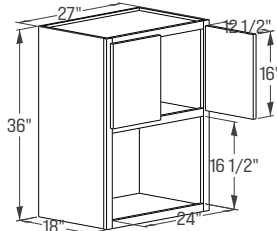
30" High (0)

MWW2430BMI  
MWW2730BMI  
MWW3030BMI



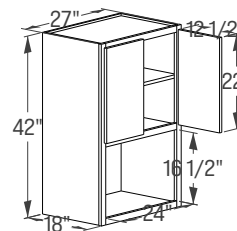
36" High (0)

MWW2436BMI  
MWW2736BMI  
MWW3036BMI



42" High (1)

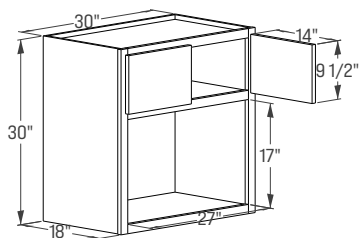
MWW2442BMI  
MWW2742BMI  
MWW3042BMI



## EXTENDED OPENING | 18" Deep (NON-BUTT AVAILABLE)

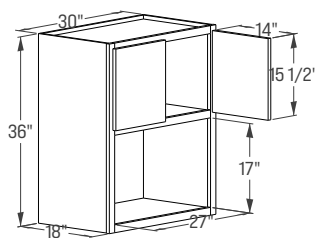
30" High (0)

MWW3030BOP17MI



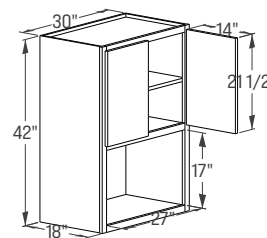
36" High (0)

MWW3036BOP17MI



42" High (1)

MWW3042BOP17MI

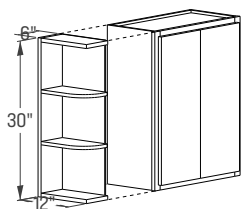


# OPEN END WALL CABINETS

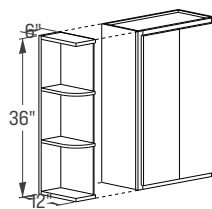
- Fixed shelf quantities listed in ( ) below.
- 3/4" thick construction with 1/4" side.

## 12" DEEP

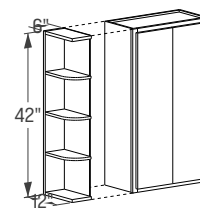
30" High (2)  
WEOS630



36" High (2)  
WEOS636



42" High (3)  
WEOS642

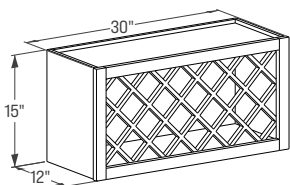


# WINE STORAGE WALL CABINETS

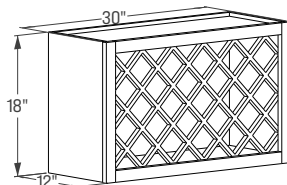
- Includes matching interior.
- 9-42" width modification available on wine racks.
- 24-42" width modification available on wine cubes.

## WINE RACK | 12" Deep

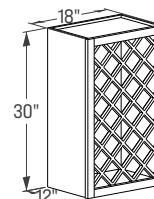
15" High  
WR2415MI  
WR3015MI  
WR3615MI  
WR4215MI



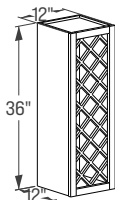
18" High  
WR3018MI



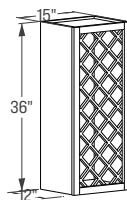
30" High  
WR1530MI  
WR1830MI  
WR2430MI



36" High  
WR1236MI  
WR1536MI

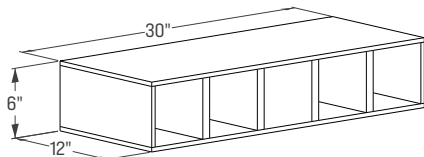


42" High  
WR1542MI



## WINE CUBE | 12" Deep

6" High  
WCUBE24  
WCUBE30  
WCUBE36

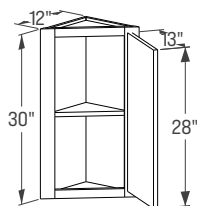


# DIAGONAL END WALL CABINETS

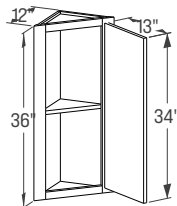
- Fixed shelf quantities listed in ( ) below.
- 24-36" high cabinets receive two hinges per door; 42" cabinets receive three hinges per door.

## SINGLE DOOR | 12" Deep

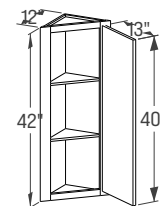
30" High (1)  
WEC1230



36" High (1)  
WEC1236



42" High (2)  
WEC1242

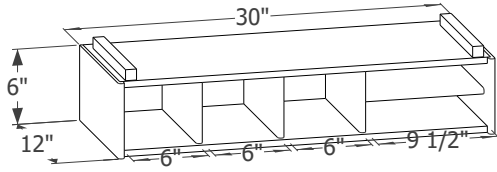


# ORGANIZER WALL CABINETS

- Includes matching interior.
- Spice drawers cannot be installed vertically.
- No modifications available.

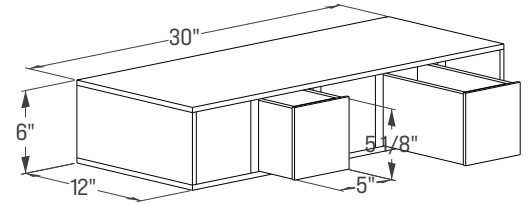
## ORGANIZER | 12" Deep

6" High  
 ORG246  
**ORG306**  
 ORG366



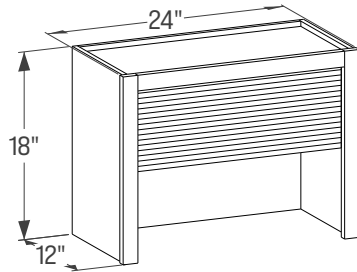
## SPICE DRAWERS | 12" Deep

6" High  
 SD24  
**SD30**  
 SD36



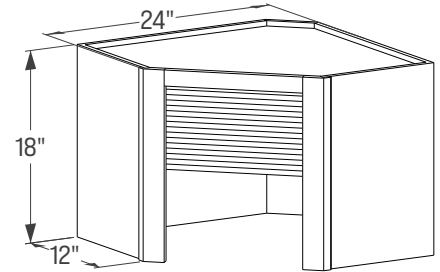
## APPLIANCE GARAGE | 12" Deep

18" High  
 SAG188  
**SAG2418**



## APPLIANCE CORNER GARAGE | 12" Deep

18" High  
 CAG24

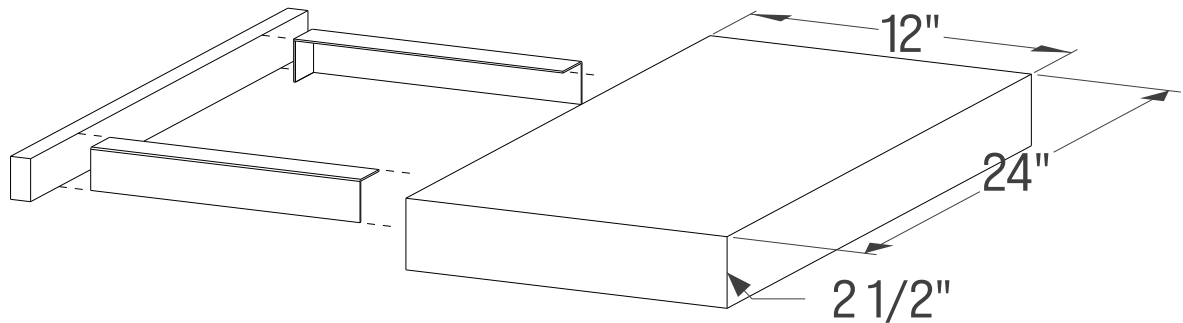


# FLOATING SHELVES

- Includes mounting bracket.
- Only available in 12" depth.

## 12" DEEP

FLSH1512  
 FLSH1812  
 FLSH2112  
**FLSH2412**  
 FLSH3012  
 FLSH3612  
 FLSH4212  
 FLSH4512  
 FLSH4812  
 FLSH5112  
 FLSH5412  
 FLSH5712  
 FLSH6012



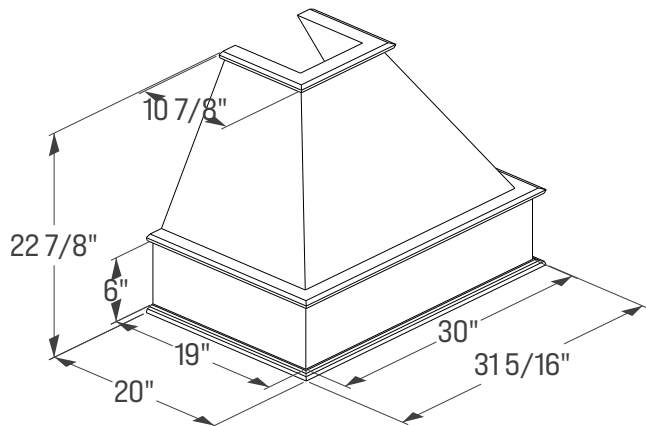


# RANGE HOOD

- Chimney stack must be ordered separately.
- Centrifugal blower, 390 CFM, 6.0 sones. Must be ordered separately.
- Silver metal liner included.
- Interior ductwork kit must be ordered separately.

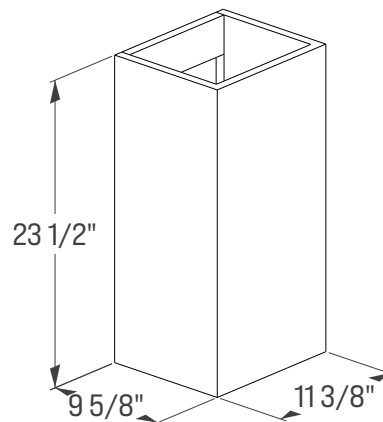
## CHIMNEY

ELITE\_RANGEHOOD30  
ELITE\_RANGEHOOD36  
ELITE\_RANGEHOOD48



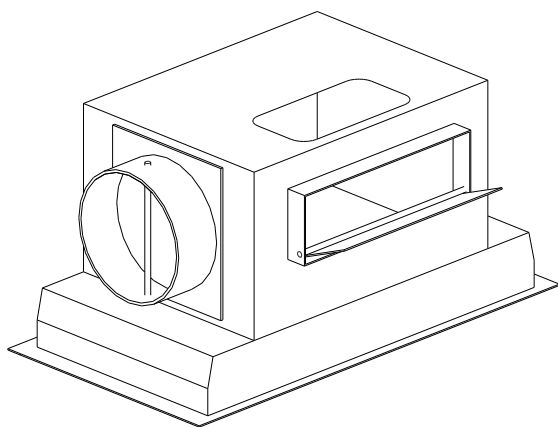
## CHIMNEY STACK

ELITE\_RANGECHIM30\_23\_5  
ELITE\_RANGECHIM36\_23\_5  
ELITE\_RANGECHIM48\_23\_5



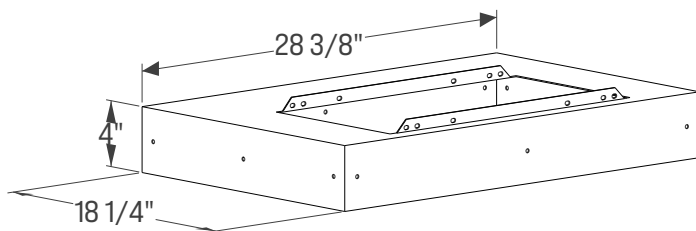
## BLOWER UNIT

ELITE\_BLOWER\_390CFM



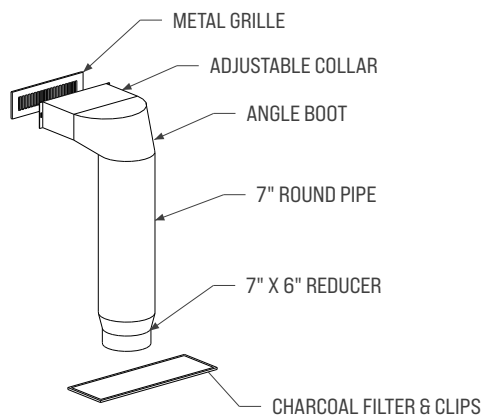
## LINER

ELITE\_RANGEHOOD30\_LINER



## DUCTWORK

ELITE\_DUCTWORK\_KIT



# BASE CABINETS

Standard construction is shown below. Shelf clips not shown. Specifications subject to change without notice. Materials may differ depending upon cabinet construction.

**BACK** | ½" Woodgrain laminate rabbeted into ends, glued top & bottom with industrial grade hot melt glue.

**BRACES** | Full depth braces provide I-beam stability & convenient anchor points for counter tops.

**DRAWER GUIDES** | Features captive roller, (75lb) epoxy-coated stay closed side guides.

**END PANELS** | ½" Substrate with light maple wood grain interior, designated laminate exterior.

**DRAWERS** | ⅝" Solid dovetail drawers, featuring four-sided construction & captive ¼" matching laminate bottom.

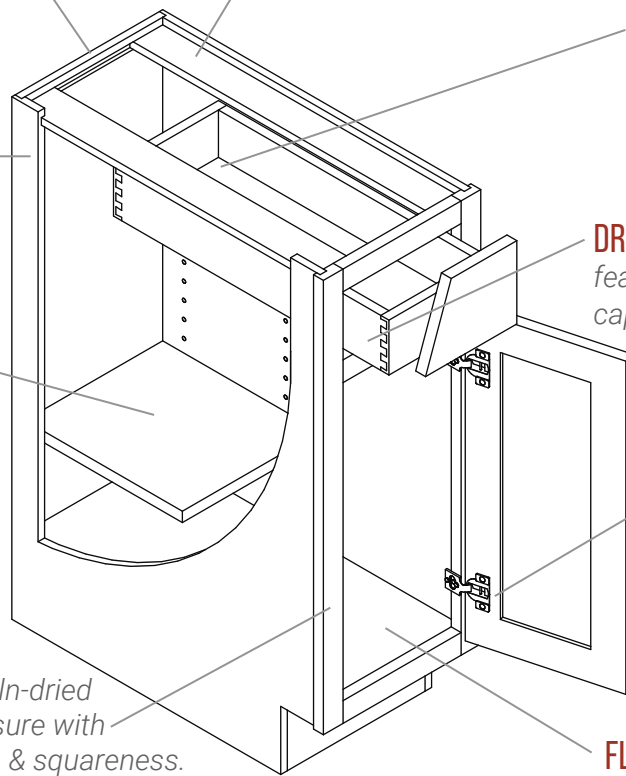
**ADJUSTABLE SHELVES** | ¾" Thick, edgebanded particle board shelves.

**HINGES** | 108° 6-way adjustable, self-closing concealed hinges.

**FRAMES** | ¾" Thick and 1½" wide kiln-dried hardwood, assembled under pressure with screws. Offers maximum strength & squareness.

**FLOORS** | ½" Wood grain laminate encapsulated in dado; glued all sides with industrial grade hot melt glue.

**TOE KICKS** | 1½" Toe Kicks with 3½" inset on all standard base cabinets.



# BASE CABINETS

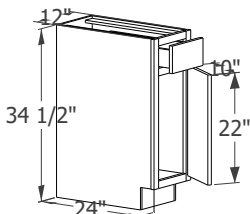
- Includes one half-depth adjustable shelf.
- Includes two hinges per door.
- 18-21" altered depth modification available in 3" increments.

## 24" Deep, 34½" High

### SINGLE DOOR

1 Drawer

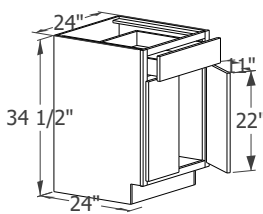
- B9 L or R
- B12** L or R
- B15 L or R
- B18 L or R
- B21 L or R
- B24 L or R



### BUTT DOORS

1 Drawer

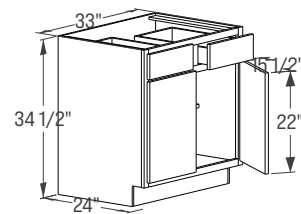
- B24B** L or R
- B27B L or R
- B30B L or R
- B33B L or R
- B36B L or R



### DOUBLE DOORS

2 Drawers

- B33\_2DRW**
- B36\_2DRW**
- B39
- B42
- B45
- B48B
- (4 Doors)



# FULL HEIGHT DOOR BASE CABINETS

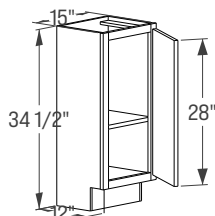
- Includes one half-depth adjustable shelf.
- Includes two hinges per door.
- 12-21" altered depth modification available in 3" increments.

## 12" Deep, 34½" High

### SINGLE DOOR

No Drawer

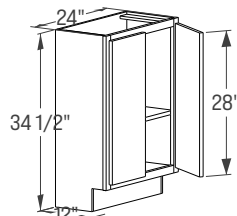
- B1212FH L or R
- B1512FH** L or R
- B1812FH L or R
- B2112FH L or R
- L or R
- L or R



### BUTT DOORS (NON-BUTT AVAILABLE)

No Drawer

- B2412BFH**
- B2712BFH
- B3012BFH
- B3312BFH
- B3612BFH

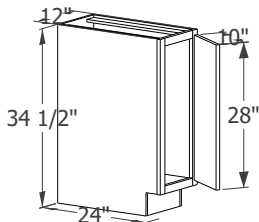


## 24" Deep, 34½" High

### SINGLE DOOR

No Drawer

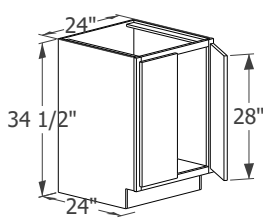
- TB9 L or R
- (No shelf)
- B12FH** L or R
- B15FH L or R
- B18FH L or R
- B21FH L or R
- B24FH L or R



### BUTT DOORS (NON-BUTT AVAILABLE)

No Drawer

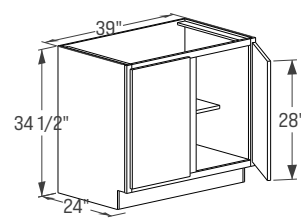
- B24BFH**
- B27BFH
- B30BFH
- B33BFH
- B36BFH
- B48FH
- (4 Doors)



### DOUBLE DOORS

No Drawer

- B39FH**
- B42FH
- B45FH





# SINK BASE CABINETS

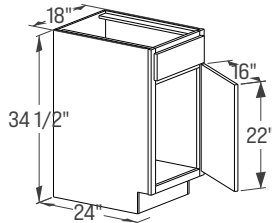
- Includes two hinges per door.
- Shelf not included.
- Farm sinks available with 12<sup>1</sup>/<sub>2</sub>" and 13<sup>1</sup>/<sub>2</sub>" filler.
- 12-21" altered depth modification available in 3" increments.

## 24" Deep, 34<sup>1</sup>/<sub>2</sub>" High

### SINGLE DOOR

1 False Front

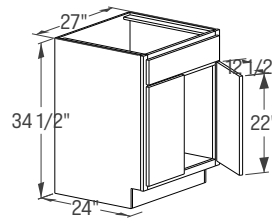
- SB18** L or R
- SB21** L or R
- SB24** L or R



### BUTT DOORS (NON-BUTT AVAILABLE)

1 False Front

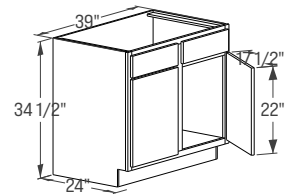
- SB24B**
- SB27B**
- SB30B**
- SB33B**
- SB36B**
- SB48B**
- (4 Doors, 2 False Fronts)



### DOUBLE DOORS

2 False Fronts

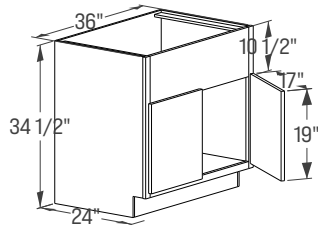
- SB39**
- SB42**
- SB45**



### FARM SINK

10<sup>1</sup>/<sub>2</sub>" False Front

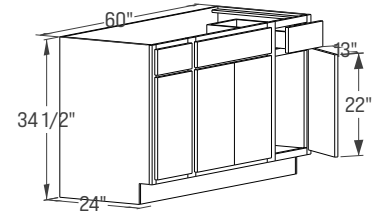
- FSB30B\_FILLED**
- FSB33B\_FILLED**
- FSB36B\_FILLED**



### COMBINATION SINK BASE

2 False Fronts, 2 Drawers

- CSB54B**  
(30" Sink Allowance)
- CSB60B**  
(30" Sink Allowance)
- CSB72B**  
(36" Sink Allowance)



# SINK FRONTS

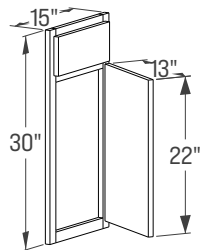
- Includes two hinges per door.
- Toe kick not included.

## 30" High

### SINGLE DOOR

1 False Front

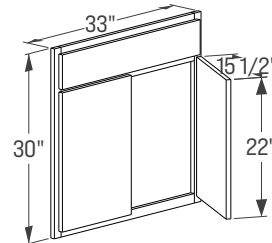
- SF12** L or R
- SF15** L or R
- SF18** L or R
- SF21** L or R



### BUTT DOORS (NON-BUTT AVAILABLE)

1 False Front

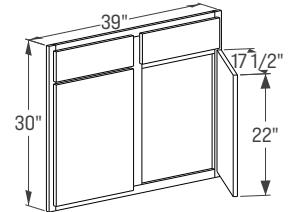
- SF24B**
- SF27B**
- SF30B**
- SF33B**
- SF36B**
- SF48B**
- (4 Doors)



### DOUBLE DOORS

2 False Fronts

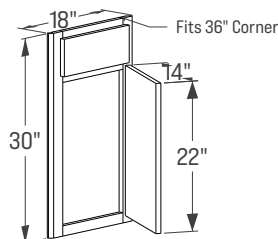
- SF39**
- SF42**
- SF45**



### DIAGONAL FRONT

1 False Front

- DSF36**
- DSF42**



# DRAWER BASE CABINETS

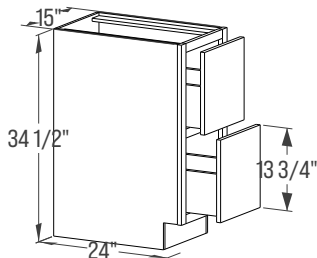
- 18-21" altered depth modification available in 3" increments.

## 24" Deep, 34 1/2" High

### 2 DRAWER BASE

No Door

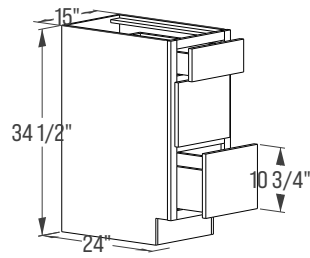
- B2D9
- B2D12
- B2D15**
- B2D18
- B2D21
- B2D24
- B2D27
- B2D30
- B2D33
- B2D36



### 3 DRAWER BASE

No Door

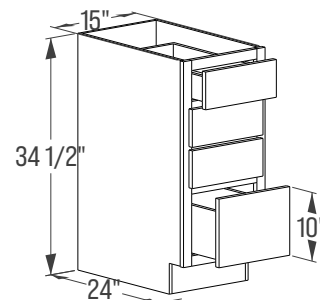
- B3D9
- B3D12
- B3D15**
- B3D18
- B3D21
- B3D24
- B3D27
- B3D30
- B3D33
- B3D36



### 4 DRAWER BASE

No Door

- B4D9
- B4D12
- B4D15**
- B4D18
- B4D21
- B4D24
- B4D27
- B4D30
- B4D33



# PENINSULA BASE CABINETS

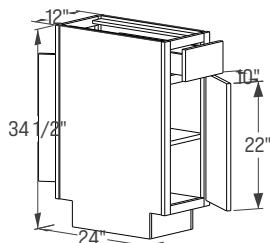
- Includes one half-depth adjustable shelf.
- Includes two hinges per door.

## 24" Deep, 34 1/2" High

### SINGLE DOOR

1 Drawer

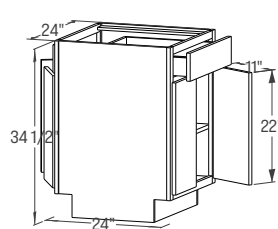
- B12P** L or R
- B15P L or R
- B18P L or R
- B21P L or R



### BUTT DOORS (NON-BUTT AVAILABLE)

1 Drawer

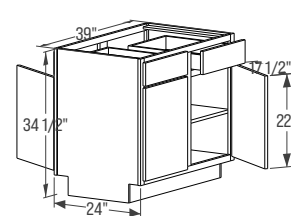
- B24BP**
- B27BP
- B30BP
- B33BP
- B36BP
- B48BP
- (2 Drawers, 8 Doors)



### DOUBLE DOORS

2 Drawers

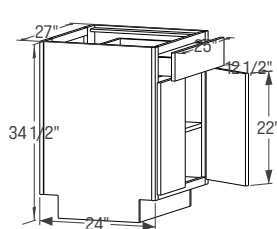
- B39P**
- B42P
- B45P



### BASE CORNER

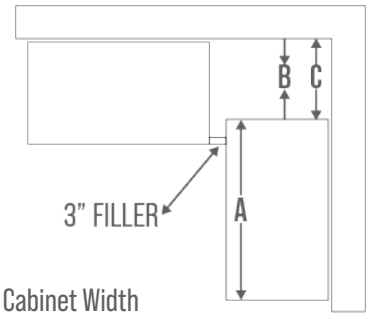
1 Drawer

- PBCC27B**

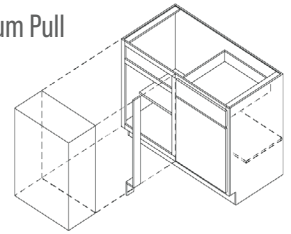


# BASE BLIND CABINETS

- Includes two hinges per door.
- Includes one half-depth adjustable shelf.
- 18-21" altered depth modification available in 3" increments. Order filler separately.
- Reversible for left or right.
- If hardware applied, pull 1" over minimum space.
- 6" center stile allows room to pull cabinet.



A = Cabinet Width  
 B = Minimum Pull  
 C = Maximum Pull



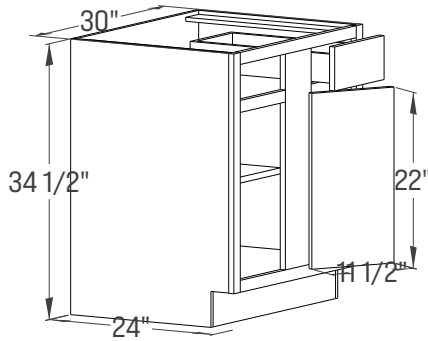
	CABINET WIDTH	MINIMUM PULL	MAXIMUM PULL	STANDARD	FULL OVERLAY
BBC33 (Full Height Door)	21"	12"	16 1/2"	7"	8 1/2"
BBC36	25"	11"	14 1/2"	9"	10 1/2"
BBC39	30"	8 1/2"	12"	11 1/2"	13"
BBC42	36"	5 1/2"	9"	14 1/2"	16"
BBC45	42"	3"	6"	17 1/2"	19"
BBC48	45"	1 1/2"	4 1/2"	19"	20 1/2"

## 24" Deep, 34 1/2" High

### SINGLE DOOR

1 Drawer

- BBC33 L or R (No Drawer)
- BBC36 L or R
- BBC39** L or R
- BBC42 L or R
- BBC45 L or R
- BBC48 L or R



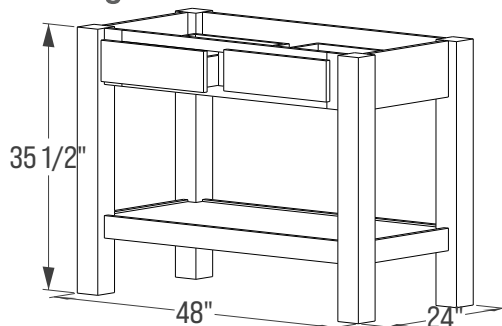
# ISLAND CABINETS

- Altered depth modifications not available.
- Must be ordered with Undermount Soft Close Slides.

## 24" Deep, 35 1/2" High

2 Drawer

ISLAND2448355





# MICROWAVE BASE CABINETS

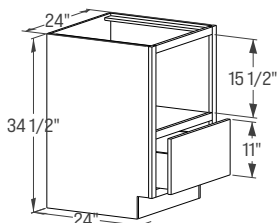
- Includes two hinges per door.
- Includes matching interior.
- Designed for under counter installation of microwave.
- 18-21" altered depth modification available in 3" increments.

## 24" Deep, 34½" High

### NO DOOR

1 Drawer

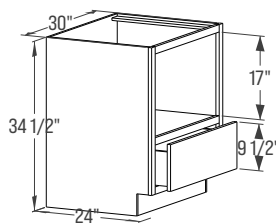
BMW21MI  
**BMW24MI**  
 BMW27MI  
 BMW30MI



### EXTENDED OPENING

1 Drawer

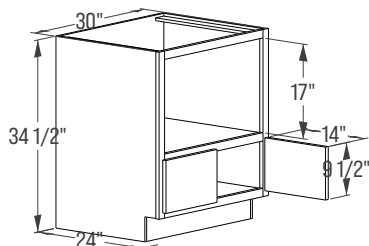
BMW30OP17MI



### EXTENDED OPENING WITH BUTT DOORS (NON-BUTT AVAILABLE)

No Drawers

BMW30DORBOP17MI



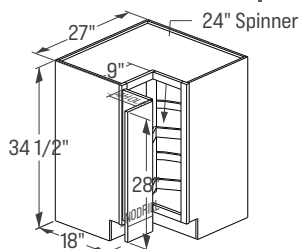
# LAZY SUSAN BASE CABINETS

- Includes two pie cut fixed spinners.
- Includes two hinges per door; doors hinged in middle.
- 18" depth cabinets must be pulled 6" from the wall to be flush with adjoining cabinets.
- Altered depth modifications not available.

## FULL HEIGHT DOUBLE DOORS | 24" Deep, 34½" High

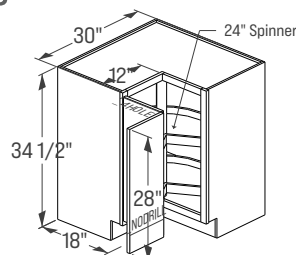
24" Spinner

LS33 L or R



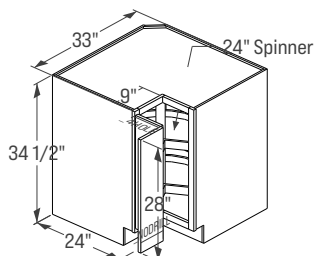
24" Spinner

LS36 L or R



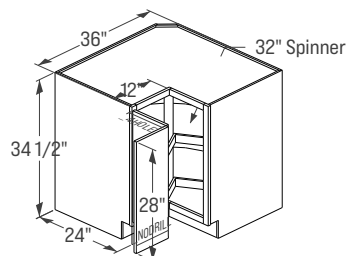
32" Spinner

SLS33 L or R



32" Spinner

SLS36 L or R



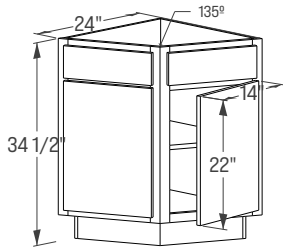
# END CABINETS

- Includes two hinges per door.
- Angled and transitional base include one full depth fixed shelf.
- Peninsula open shelf includes a cleat (ships loose).

## 24" Deep, 34 1/2" High

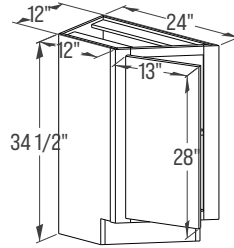
### ANGLED END BASE

2 False Fronts  
AEB24



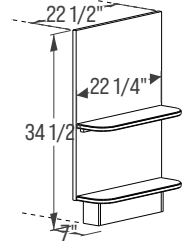
### TRANSITIONAL END BASE

No Drawer  
AB12 L or R



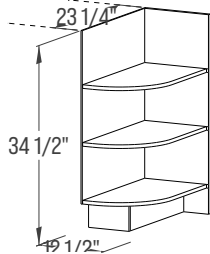
### PENINSULA OPEN END SHELF

3/4" Thick  
PBES6  
PBES12



### BASE END OPEN END SHELF

3/4" Thick Back  
& Shelves, 1/4" Side  
BEOS1224 L or R



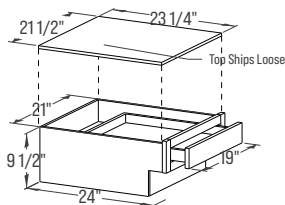
# RANGE RISE

- Top shelf ships loose.
- 10" high only available with standard epoxy slides.

## 24" Deep

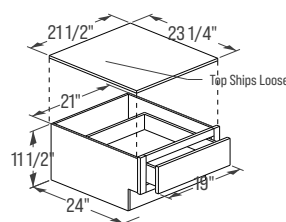
### 10" HIGH

1 Drawer  
RR2110  
RR2410  
RR2710  
RR3010



### 12" HIGH

1 Drawer  
RR2112  
RR2412  
RR2712  
RR3012

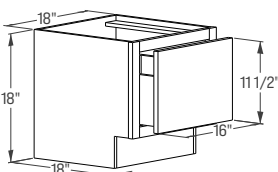


# BENCHES

- Includes one deep drawer.
- Height modifications not available.

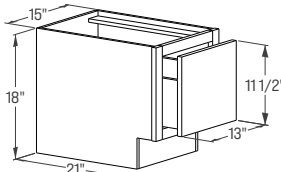
### 18" BENCH

1 Drawer  
BENCH1D1218  
BENCH1D1518  
BENCH1D1818



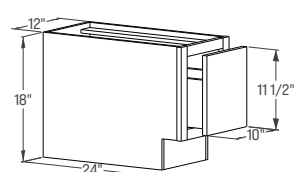
### 21" BENCH

1 Drawer  
BENCH1D1221  
BENCH1D1521  
BENCH1D1821



### 24" BENCH

1 Drawer  
BENCH1D1224  
BENCH1D1524  
BENCH1D1824



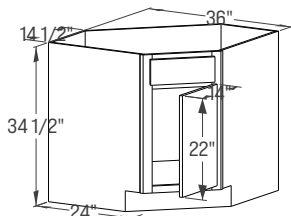
# CORNER BASE CABINETS

- Diagonal base cabinet does not include a shelf; includes two hinges per door.
- Square corner cabinet includes one fixed shelf; includes two hinges per door with doors hinged in the middle.
- Base end corner cabinet includes one fixed shelf; includes two hinges per door.
- 18" depth cabinets must be pulled 6" from the wall to be flush with adjoining cabinets.

## 34 1/2" High

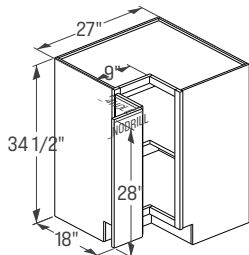
### DIAGONAL BASE

1 False Front  
DC36  
DC42

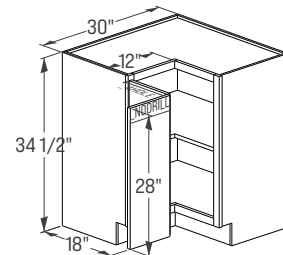


### SQUARE CORNER

SCB33 L or R

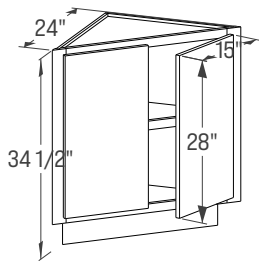


SCB36 L or R



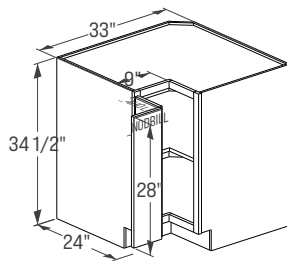
### BASE END CORNER

BEC24B

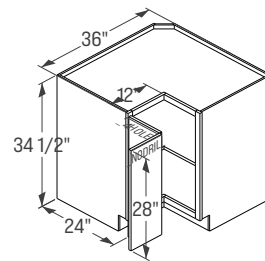


### SUPER SQUARE CORNER BASE

SSCB33 L or R



SSCB36 L or R



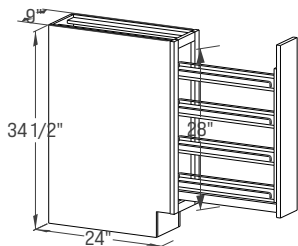
# BASE CABINETS WITH PULL-OUTS

- Pull-out storage and waste bin are factory installed with door mounted to front of unit; top cabinet drawer included.
- Pull-out storage cabinet must be installed between two cabinets; matching filler included.
- Altered depth modifications not available.
- Height modification available up to 32 1/2"; top cabinet drawer not included.

## 24" Deep, 34 1/2" High

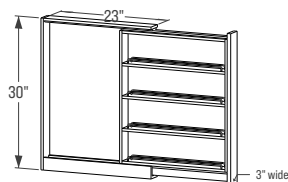
### PULL-OUT STORAGE

6" 9" Wide  
B9FH\_BCSC6  
B12FH\_BCSC12



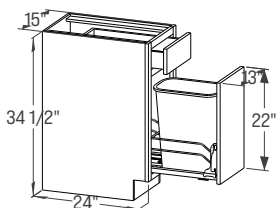
### PULL-OUT STORAGE CABINET

3" 6" Wide  
POSC3  
POSC6

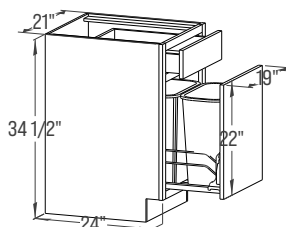


### PULL-OUT WASTE BIN

Single Bin  
B15\_BIN1



Double Bin  
B18\_BIN2  
B21\_BIN2





# TALL CABINETS

Standard construction is shown below. Shelf clips not shown. Specifications subject to change without notice. Materials may differ depending upon cabinet construction.

**BACK** | ½" Woodgrain laminate rabbeted into ends, wood glued & stapled to top & bottom.

**TOPS** | ½" Substrate with light maple wood grain interior & exterior.

**HINGES** | 108° 6-way adjustable, self-closing concealed hinges.

**END PANELS** | ½" Substrate with light maple wood grain interior, designated laminate exterior.

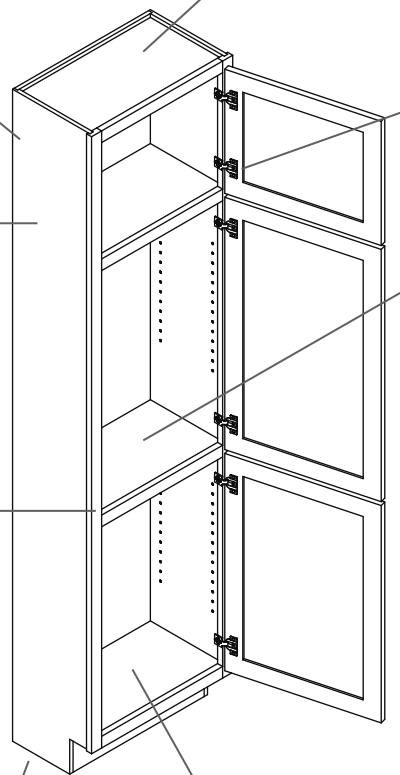
**SHELVES** | ½" Thick fixed wood grain laminate shelves are included. Adjustable shelves must be ordered separately.

**FRAMES** | ¾" Thick & 1½" wide kiln-dried hardwood, assembled under pressure with screws. Offers maximum strength & squareness.

Matches base cabinet door height. (28")

**TOE KICKS** | 4½" Toe kicks with 3½" inset on all standard base cabinets. 93" & 96" toe detached.

**FLOORS** | ½" Wood grain laminate encapsulated in dado; glued all sides with industrial grade hot melt glue.



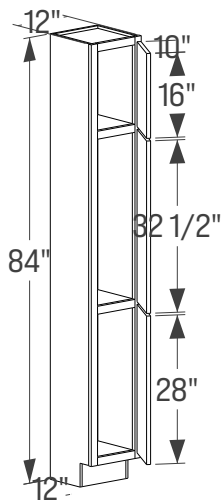
# TALL CABINETS

- Fixed shelf quantities listed in ( ) below; **additional shelf kits must be ordered separately.**
- 84" high cabinet will have the bottom two sections drilled for shelves; 90-96" will have all sections drilled.
- 93-96" high cabinets install on included detached tow kick box; order end skin for exposed side.
- Doors up to 36" high receive two hinges per door; doors greater than 36" high receive three hinges.
- 84" high cabinet aligns with 18" high wall; 90" with 24" wall; 93" with 27" high wall; 96" with 30" high wall.
- 15-24" altered depth modification available in 3" increments.

## SINGLE DOOR | 12" Deep

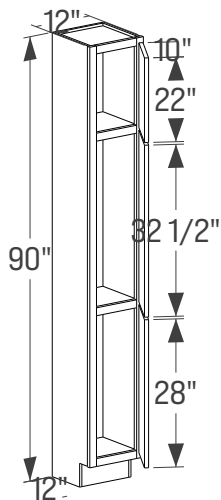
84" High (2)

T128412 L or R  
T158412 L or R  
T188412 L or R  
T218412 L or R



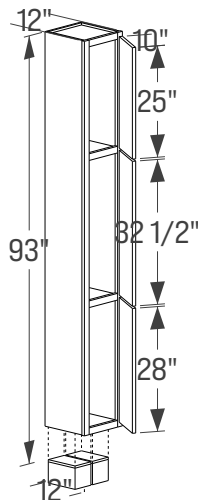
90" High (2)

T129012 L or R  
T159012 L or R  
T189012 L or R  
T219012 L or R



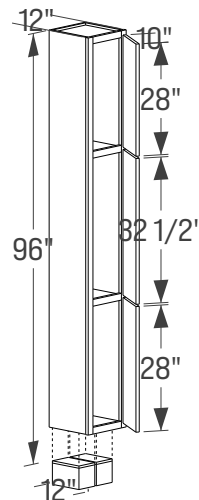
93" High (2)

T129312 L or R  
T159312 L or R  
T189312 L or R  
T219312 L or R



96" High (2)

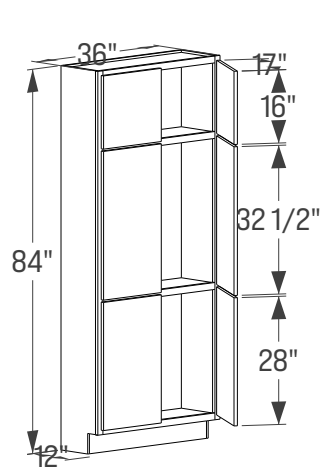
T129612 L or R  
T159612 L or R  
T189612 L or R  
T219612 L or R



## BUTT DOORS | 12" Deep (NON-BUTT AVAILABLE)

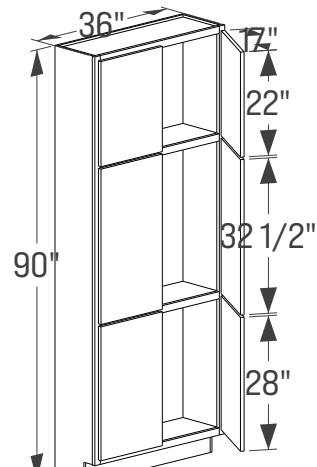
84" High (2)

T248412B  
T278412B  
T308412B  
T338412B  
T368412B



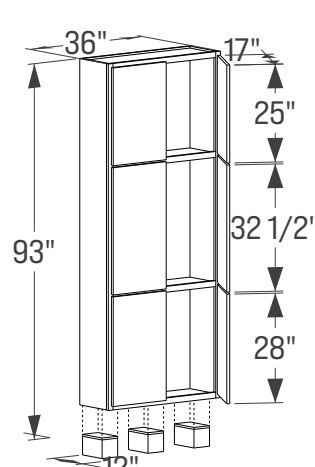
90" High (2)

T249012B  
T279012B  
T309012B  
T339012B  
T369012B



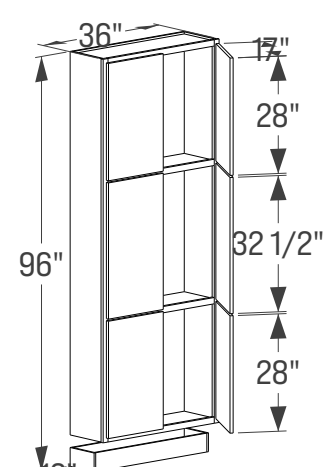
93" High (2)

T249312B  
T279312B  
T309312B  
T339312B  
T369312B



96" High (2)

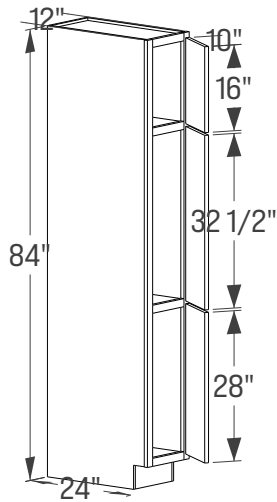
T249612B  
T279612B  
T309612B  
T339612B  
T369612B



## SINGLE DOOR | 24" Deep

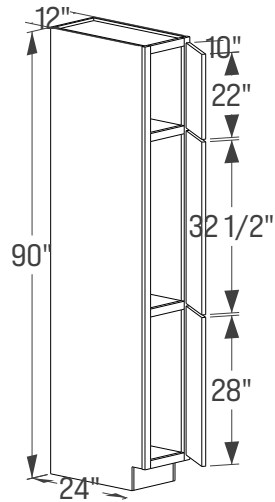
84" High (2)

T128424 L or R  
 T158424 L or R  
 T188424 L or R  
 T218424 L or R



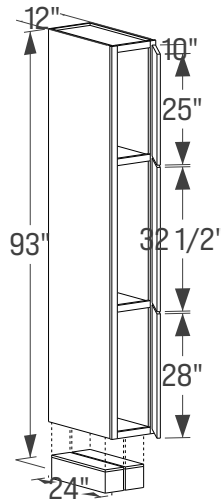
90" High (2)

T129024 L or R  
 T159024 L or R  
 T189024 L or R  
 T219024 L or R



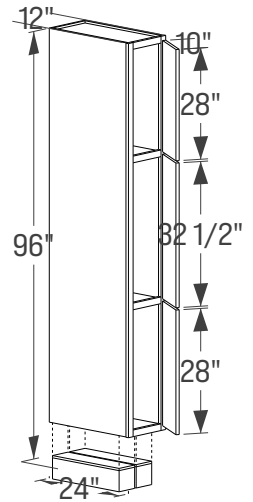
93" High (2)

T129324 L or R  
 T159324 L or R  
 T189324 L or R  
 T219324 L or R



96" High (2)

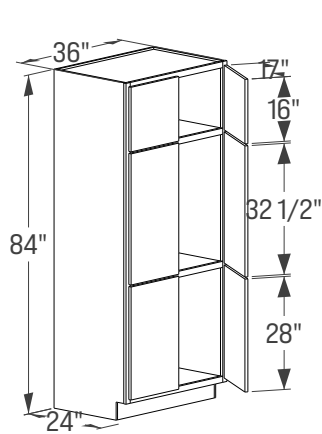
T129624 L or R  
 T159624 L or R  
 T189624 L or R  
 T219624 L or R



## BUTT DOORS | 24" Deep (NON-BUTT AVAILABLE)

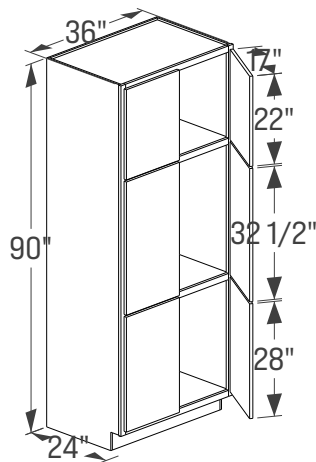
84" High (2)

T248424B  
 T278424B  
 T308424B  
 T338424B  
 T368424B



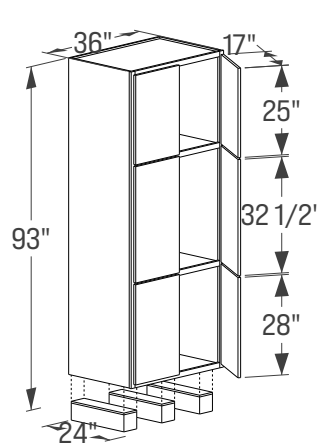
90" High (2)

T249024B  
 T279024B  
 T309024B  
 T339024B  
 T369024B



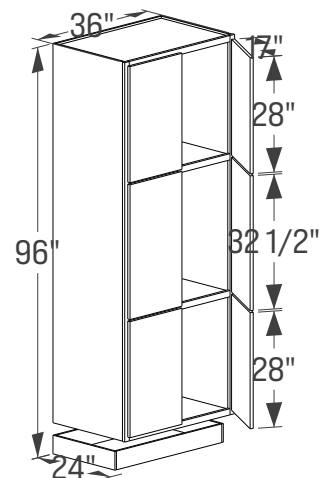
93" High (2)

T249324B  
 T279324B  
 T309324B  
 T339324B  
 T369324B



96" High (2)

T249624B  
 T279624B  
 T309624B  
 T339624B  
 T369624B





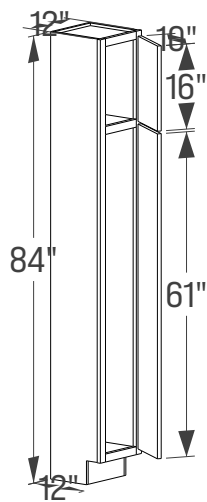
# PANTRY TALL CABINETS

- Fixed shelf quantities listed in ( ) below; **additional shelf kits must be ordered separately.**
- 84" high cabinets will have the bottom section drilled for shelves; 90-96" will have all sections drilled.
- 93-96" high cabinets install on included detached tow kick box; order end skin for exposed side.
- Doors up to 36" high receive two hinges per door; doors greater than 36" high receive three hinges.
- 84" high cabinet aligns with 18" high wall; 90" with 24" high wall' 93" with 27" high wall; 96" with 30" high wall.
- Pantry tall cabinets not available in hardwood slab door styles, Denver and Valdez.
- 15-24" altered depth modification available in 3" increments.

## SINGLE DOOR | 12" Deep

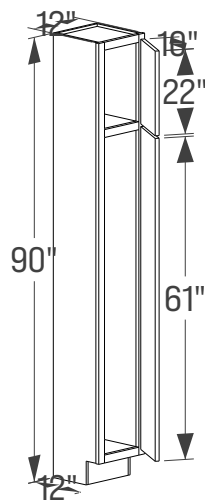
84" High (1)

PT128412 L or R  
 PT158412 L or R  
 PT188412 L or R  
 PT218412 L or R



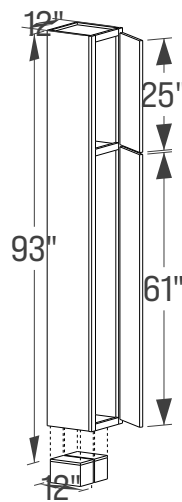
90" High (1)

PT129012 L or R  
 PT159012 L or R  
 PT189012 L or R  
 PT219012 L or R



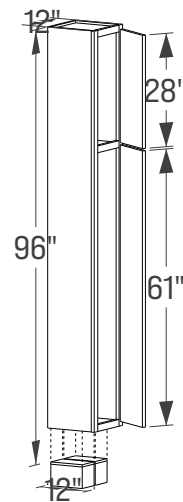
93" High (1)

PT129312 L or R  
 PT159312 L or R  
 PT189312 L or R  
 PT219312 L or R



96" High (1)

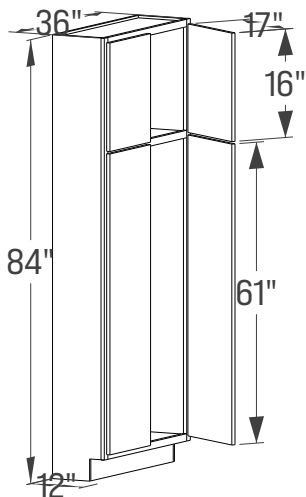
PT129612 L or R  
 PT159612 L or R  
 PT189612 L or R  
 PT219612 L or R



## BUTT DOORS | 12" Deep (NON-BUTT AVAILABLE)

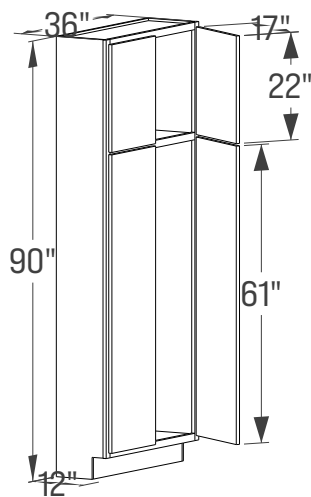
84" High (1)

PT248412B  
 PT278412B  
 PT308412B  
 PT338412B  
 PT368412B



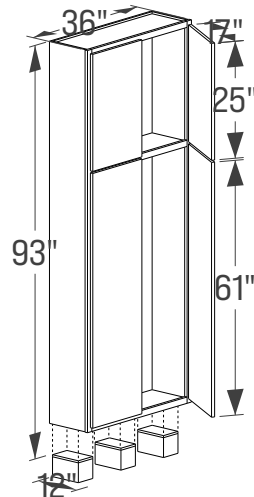
90" High (1)

PT249012B  
 PT279012B  
 PT309012B  
 PT339012B  
 PT369012B



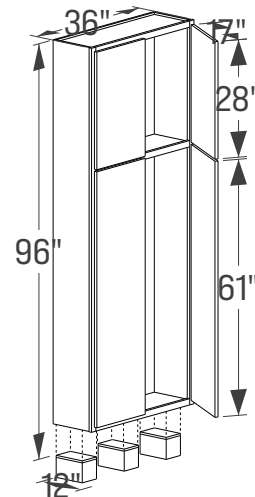
93" High (1)

PT249312B  
 PT279312B  
 PT309312B  
 PT339312B  
 PT369312B



96" High (1)

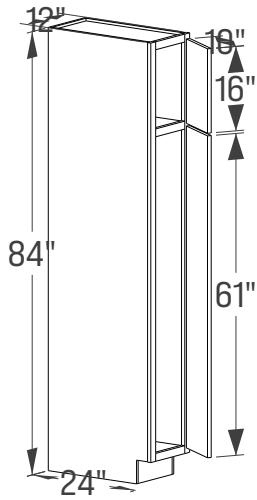
PT249612B  
 PT279612B  
 PT309612B  
 PT339612B  
 PT369612B



## SINGLE DOOR | 24" Deep

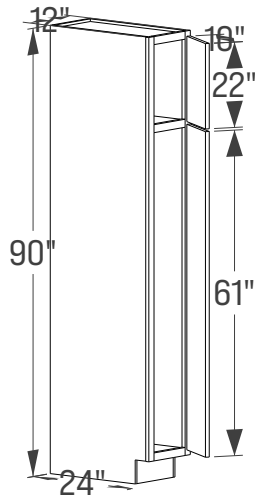
84" High (1)

PT128424 L or R  
 PT158424 L or R  
 PT188424 L or R  
 PT218424 L or R



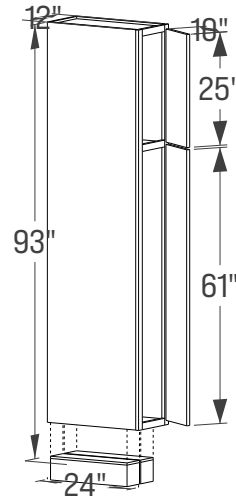
90" High (1)

PT129024 L or R  
 PT159024 L or R  
 PT189024 L or R  
 PT219024 L or R



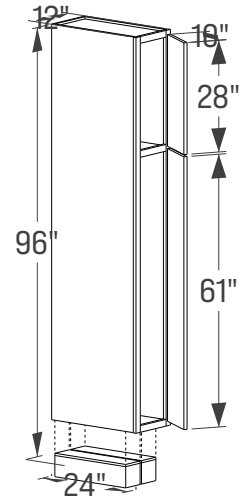
93" High (1)

PT129324 L or R  
 PT159324 L or R  
 PT189324 L or R  
 PT219324 L or R



96" High (1)

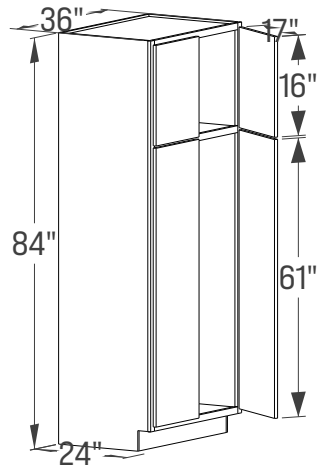
PT129624 L or R  
 PT159624 L or R  
 PT189624 L or R  
 PT219624 L or R



## BUTT DOORS | 24" Deep (NON-BUTT AVAILABLE)

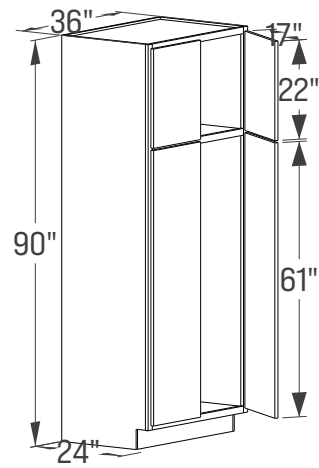
84" High (1)

PT248424B  
 PT278424B  
 PT308424B  
 PT338424B  
 PT368424B



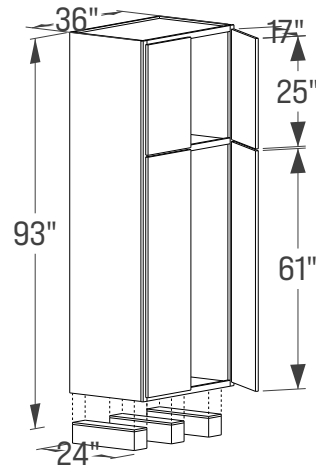
90" High (1)

PT249024B  
 PT279024B  
 PT309024B  
 PT339024B  
 PT369024B



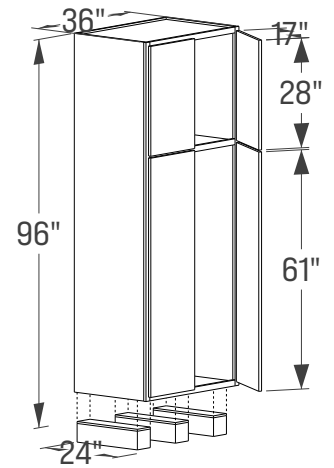
93" High (1)

PT249324B  
 PT279324B  
 PT309324B  
 PT339324B  
 PT369324B



96" High (1)

PT249624B  
 PT279624B  
 PT309624B  
 PT339624B  
 PT369624B



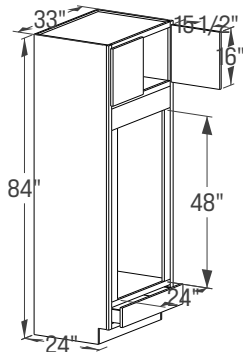
# OVEN TALL CABINETS

- Fixed shelf quantities listed in ( ) below; **additional shelf kits must be ordered separately.**
- Includes trimmable 6" top filler and 3" side fillers; trimmable to 54" height.
- 96" high cabinets install on included detached tow kick box; order end skin for exposed side.
- 84" high cabinet aligns with 18" high wall; 90" with 24" high wall; 96" with 30" high wall.
- 21" altered depth modification available.

## DOUBLE OVEN WITH BUTT DOORS | 24" Deep (NON-BUTT AVAILABLE)

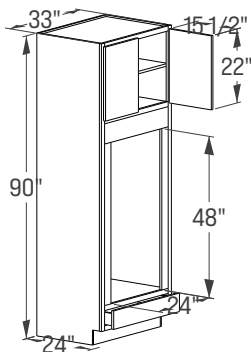
84" High (0)

OV2784B  
OV3084B  
OV3384B



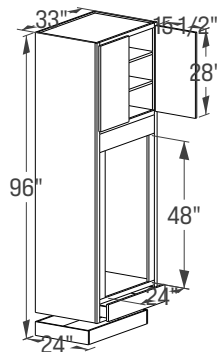
90" High (1)

OV2790B  
OV3090B  
OV3390B



96" High (1)

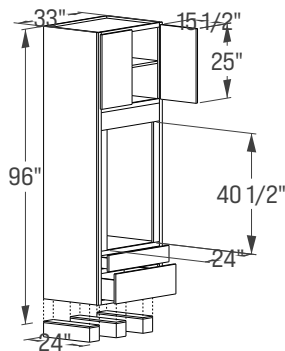
OV2796B  
OV3096B  
OV3396B



## OVEN WITH 2 DRAWERS & BUTT DOORS | 24" Deep (NON-BUTT AVAILABLE)

96" High (1)

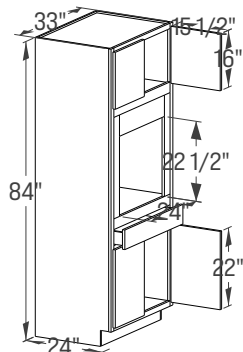
OV2D3396B



## SINGLE OVEN WITH BUTT DOORS | 24" Deep (NON-BUTT AVAILABLE)

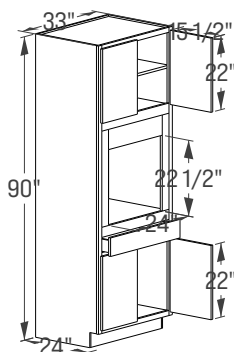
84" High (0)

SOV2784B  
SOV3084B  
SOV3384B



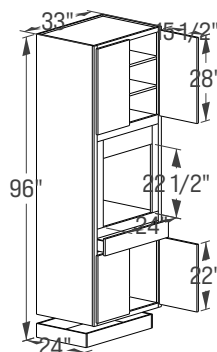
90" High (1)

SOV2790B  
SOV3090B  
SOV3390B



96" High (1)

SOV2796B  
SOV3096B  
SOV3396B





# 3 DRAWER TALL CABINETS

- Fixed shelf quantities listed in ( ) below; **additional shelf kits must be ordered separately.**
- Middle section drilled for shelves.
- 84" high cabinets aligns with 18" high wall.

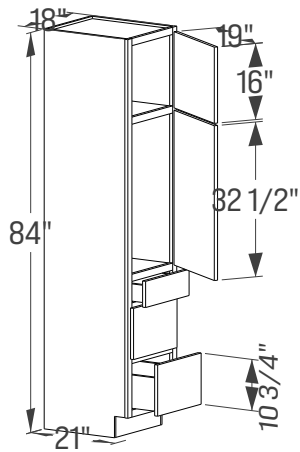
## SINGLE DOOR

84" High (1)

T3D188418

**T3D188421**

T3D188424



# BOOKCASE CABINETS

- Adjustable shelf quantities listed in ( ) below; includes one middle fixed shelf.
- Includes matching interior.
- 15-24" altered depth modification available in 3" increments.

## 12" DEEP

72" High (4)

BC127212MI

BC157212MI

**BC187212MI**

BC217212MI

BC247212MI

BC277212MI

BC307212MI

BC337212MI

BC367212MI

84" High (4)

BC128412MI

BC158412MI

BC188412MI

BC218412MI

**BC248412MI**

BC278412MI

BC308412MI

BC338412MI

BC368412MI

96" High (4)

BC129612MI

BC159612MI

BC189612MI

BC219612MI

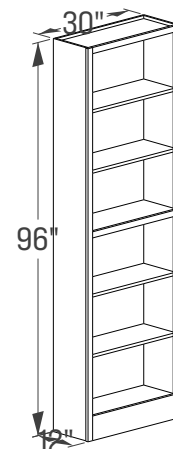
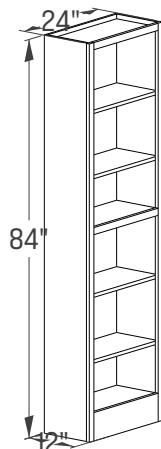
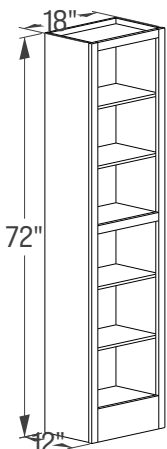
BC249612MI

BC279612MI

**BC309612MI**

BC339612MI

BC369612MI



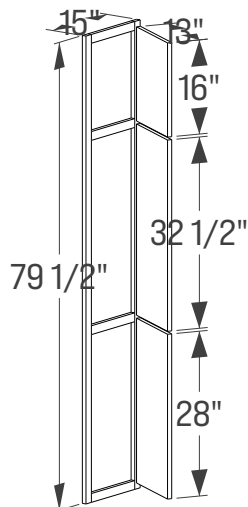
# UTILITY FRONTS

- Doors up to 36" high receive two hinges per door; doors greater than 36" receive three hinges.
- 93" height modification available.
- 84" high cabinet aligns with 18" high wall; 90" with 24" high wall; 96" with 30" high wall.
- Toe kick not included.

## SINGLE DOOR

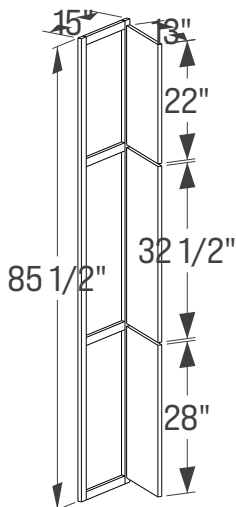
84" High

UF1584 L or R  
 UF1884 L or R  
 UF2184 L or R



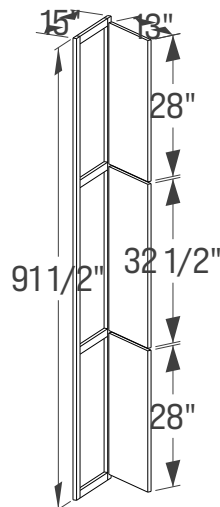
90" High

UF1590 L or R  
 UF1890 L or R  
 UF2190 L or R



96" High

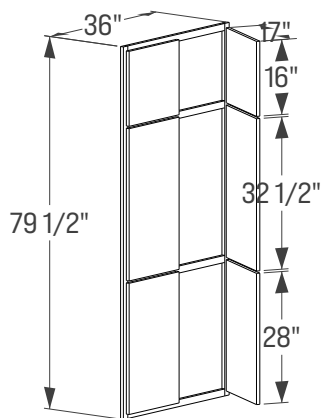
UF1596 L or R  
 UF1896 L or R  
 UF2196 L or R



## BUTT DOORS (NON-BUTT AVAILABLE)

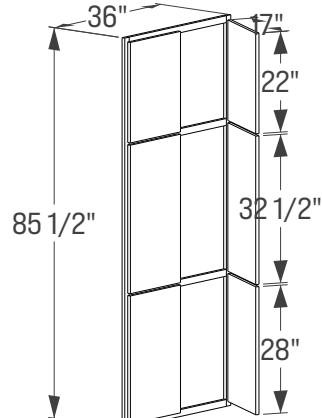
84" High

UF2484B  
 UF2784B  
 UF3084B  
 UF3384B  
 UF3684B



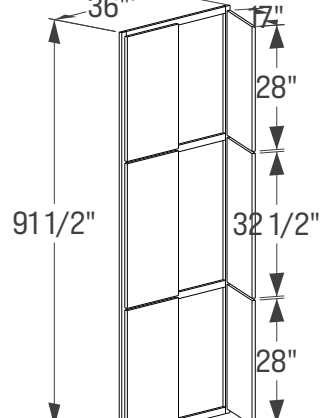
90" High

UF2490B  
 UF2790B  
 UF3090B  
 UF3390B  
 UF3690B



96" High

UF2496B  
 UF2796B  
 UF3096B  
 UF3396B  
 UF3696B



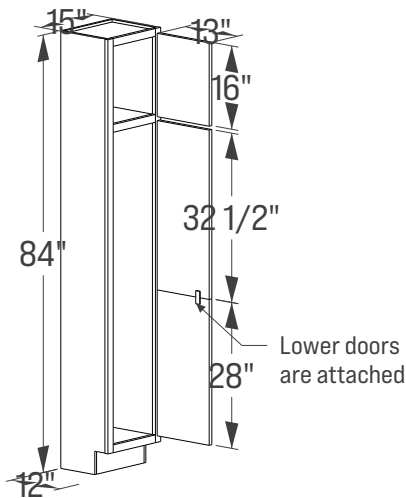
# BROOM CLOSET TALL CABINETS

- Fixed shelf quantities listed in ( ) below; **additional shelf kits must be ordered separately.**
- 84" high cabinet will have the bottom section drilled for shelves; 90-96" will have all sections drilled.
- 96" high cabinets install on included detached toe kick box; order end skin for exposed side.
- 93" height modification available.
- Lower doors are attached with mending plate.
- 84" high cabinet aligns with 18" high wall; 90" with 24" high wall; 96" with 30" high wall.
- 15-21" altered depth modification available in 3" increments.

## SINGLE DOOR | 12" Deep

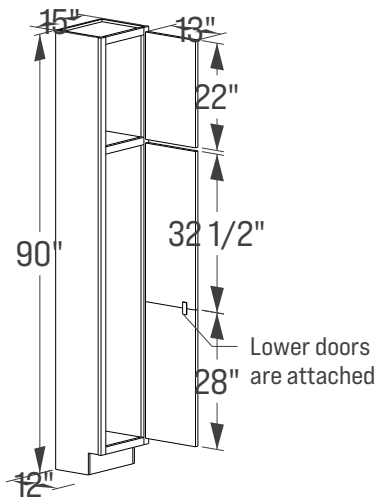
84" High (1)

TBC158412 L or R  
TBC188412 L or R



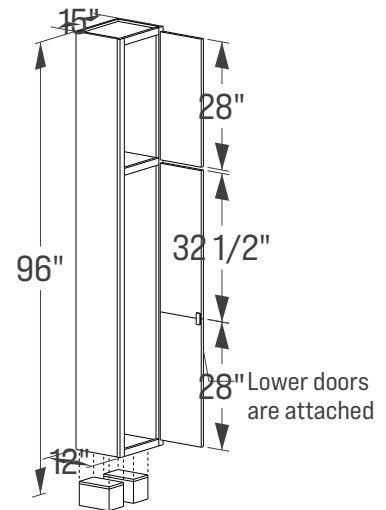
90" High (1)

TBC159012 L or R  
TBC189012 L or R



96" High (1)

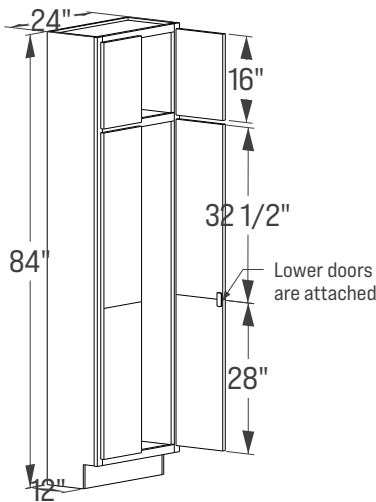
TBC159612 L or R  
TBC189612 L or R



## BUTT DOORS | 12" Deep (NON-BUTT AVAILABLE)

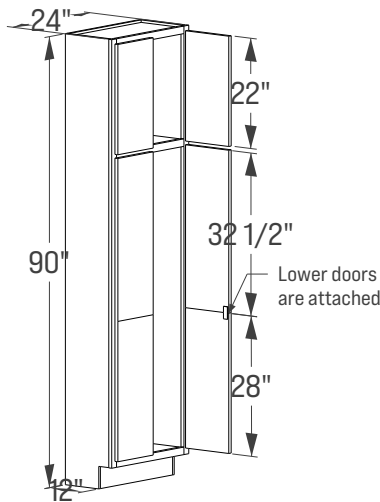
84" High (1)

TBC248412B  
TBC308412B



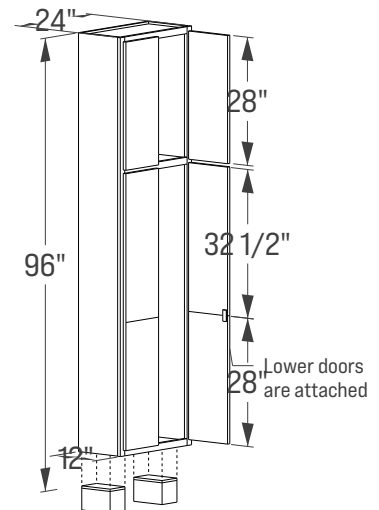
90" High (1)

TBC249012B  
TBC309012B



96" High (1)

TBC249612B  
TBC309612B



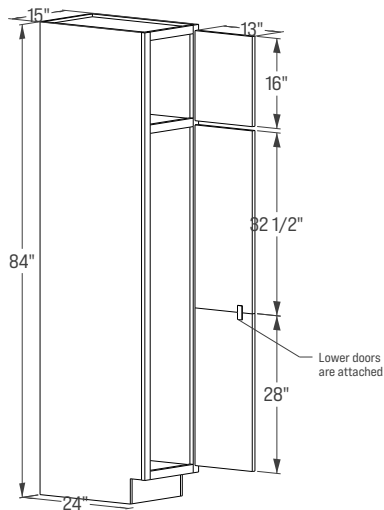


## SINGLE DOOR | 24" Deep

84" High (1)

TBC158424  
TBC188424

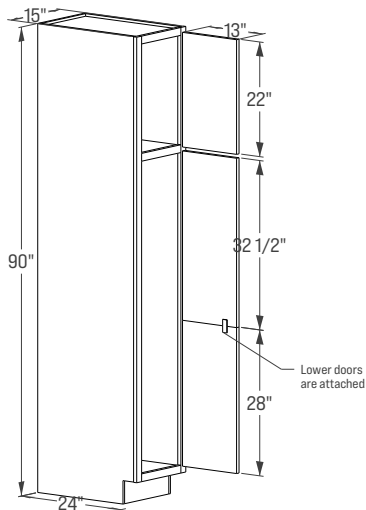
L or R  
L or R



90" High (1)

TBC159024  
TBC189024

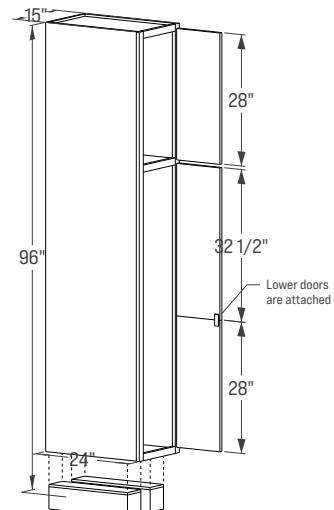
L or R  
L or R



96" High (1)

TBC159624  
TBC189624

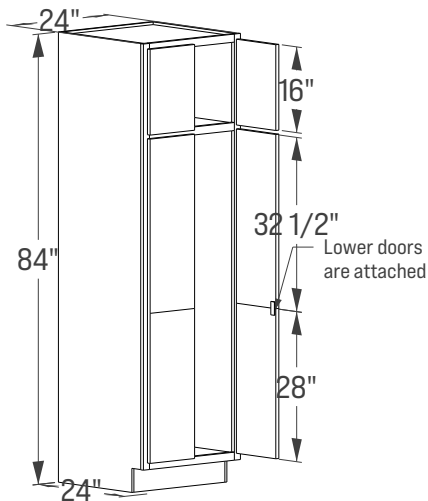
L or R  
L or R



## BUTT DOORS | 24" Deep (NON-BUTT AVAILABLE)

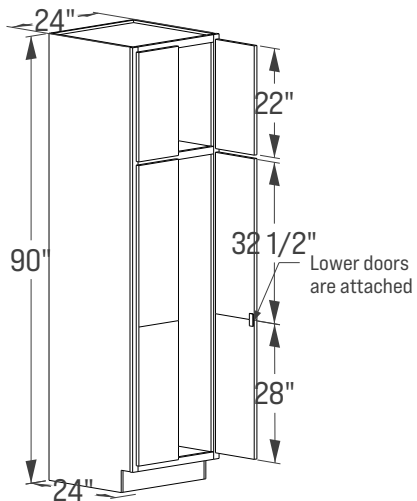
84" High (1)

TBC248424B  
TBC308424B



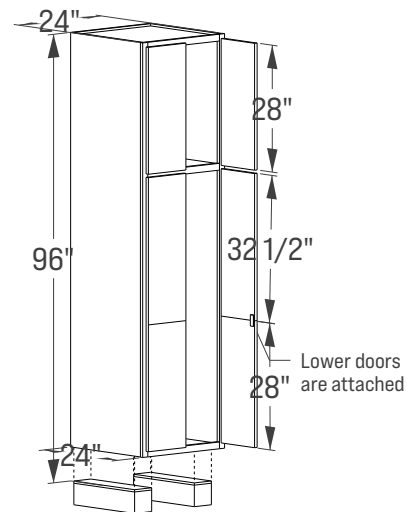
90" High (1)

TBC249024B  
TBC309024B



96" High (1)

TBC249624B  
TBC309624B



# UNIVERSAL ACCESS CABINETS

Standard construction is shown below. Shelf clips not shown. Specifications subject to change without notice. Materials may differ depending upon cabinet construction.

**BACK** |  $\frac{1}{2}$ " Woodgrain laminate rabbeted into ends, glued top & bottom with industrial hot met glue.  $32\frac{1}{2}$ " height.

**DRAWER GUIDES** | Features captive roller, (75lb) epoxy-coated stay-closed side guides.

**END PANELS** |  $\frac{1}{2}$ " Substrate with light maple wood grain interior, designated laminate exterior.

**FRAMES** |  $\frac{3}{4}$ " Thick &  $1\frac{1}{2}$ " wide kiln-dried hardwood, assembled under pressure with screws. Offers maximum strength & squareness.

**TOE KICKS** |  $4\frac{1}{2}$ " Toe Kicks with  $3\frac{1}{2}$ " inset on all ANSI/ADA compliant cabinets. Also available with 9".

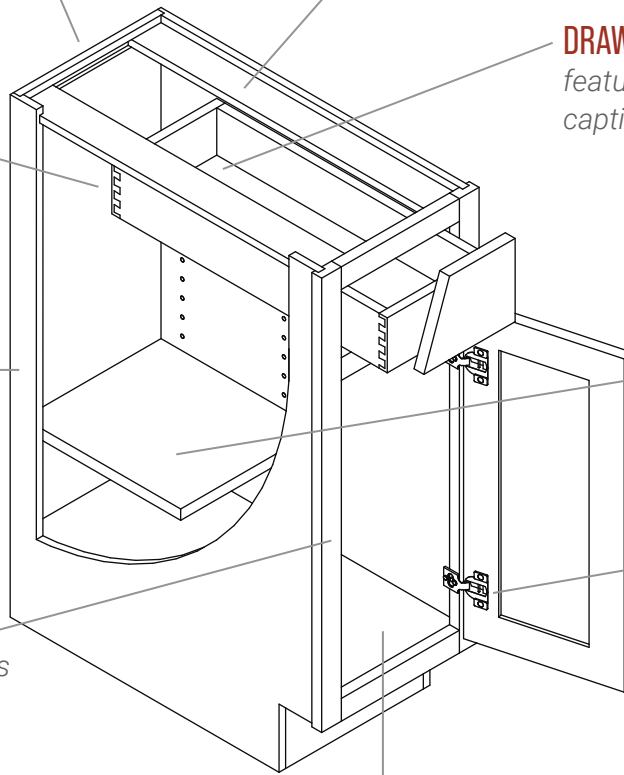
**BRACES** | Full depth braces provide I-beam stability & convenient anchor points for counter tops.

**DRAWERS** |  $\frac{5}{8}$ " Solid dovetail drawers, featuring four-sided construction & captive  $\frac{1}{4}$ " matching laminate bottom.

**ADJUSTABLE SHELVES** |  $\frac{3}{4}$ " Thick, edgebanded particle board shelves.

**HINGES** |  $108^\circ$  6-way adjustable, self-closing concealed hinges.

**FLOORS** |  $\frac{1}{2}$ " Wood grain laminate encapsulated in dado; glued all sides with industrial hot melt glue.



# REMOVABLE FRONT CABINETS

- Includes two hinges per door.
- Shelf not included.
- Removable panel not included on wall hung.
- Insert dimensions are  $1\frac{3}{4}$ " less on width and 1" less on depth than the outside cabinet measurements.
- 18" altered depth modification available.
- $34\frac{1}{2}$ " height modification available.
- Install instructions available upon request.

## 21" Deep, $32\frac{1}{2}$ " High

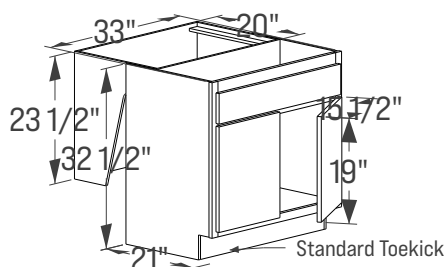
### BUTT DOORS (NON-BUTT AVAILABLE)

1 False Front

VSB30BHCSTDTKRF\_ADA

VSB33BHCSTDTKRF\_ADA

VSB36BHCSTDTKRF\_ADA



## 24" Deep, $32\frac{1}{2}$ " High

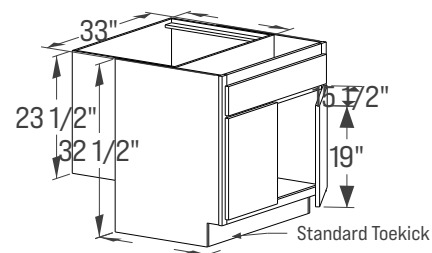
### BUTT DOORS (NON-BUTT AVAILABLE)

1 False Front

SB30BHCSTDTKRF\_ADA

SB33BHCSTDTKRF\_ADA

SB36BHCSTDTKRF\_ADA



# REMOVABLE FLOOR CABINETS

- Includes two hinges per door.
- Shelf not included.
- Removable panel not included on wall hung.
- Insert dimensions are  $1\frac{3}{4}$ " less on width and 1" less on depth than the outside cabinet measurements.
- 18" altered depth modification available.
- $34\frac{1}{2}$ " height modification available.
- Install instructions available upon request.
- Not available in ultimate construction.

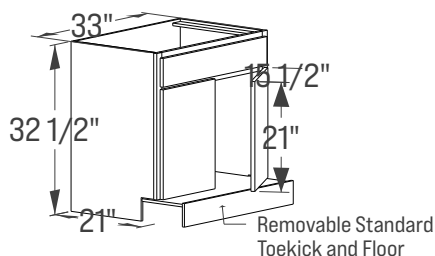
## 21" Deep, $32\frac{1}{2}$ " High

### BUTT DOORS

1 False Front

VSB33BHCSTDTK\_RFL

VSB36BHCSTDTK\_RFL



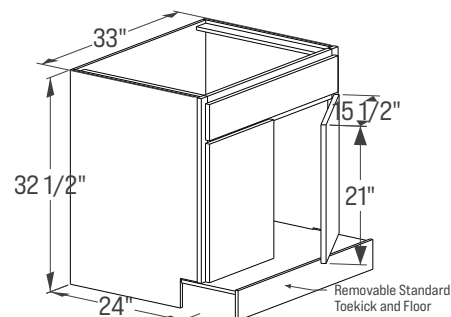
## 24" Deep, $32\frac{1}{2}$ " High

### BUTT DOORS

1 False Front

SB33BHCSTDTK\_RFL

SB36BHCSTDTK\_RFL



# HANGING SINK CABINETS

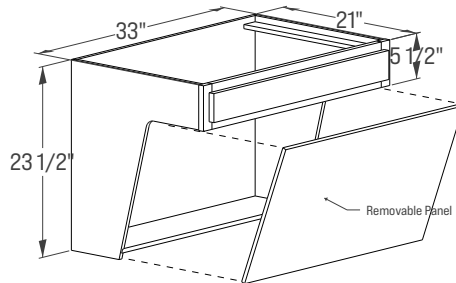
- Includes matching removable panel with clips.
- ADA modification has a 27" clearance from false front to floor.
- UFAS modification has a 29½" clearance from false front to floor.
- Installation supports recommended.
- Install instructions available upon request.

## 21" Deep, 23½" High

### NO DOOR

1 False Front

WHL30\_ADA  
**WHL33\_ADA**  
 WHL36\_ADA  
 WHL30\_UFAS  
 WHL33\_UFAS  
 WHL36\_UFAS

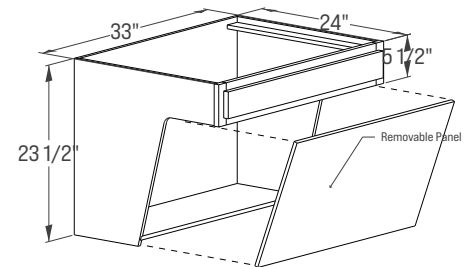


## 24" Deep, 23½" High

### NO DOOR

1 False Front

WHB30\_ADA  
**WHB33\_ADA**  
 WHB36\_ADA  
 WHB30\_UFAS  
 WHB33\_UFAS  
 WHB36\_UFAS





# VANITY CABINETS

Standard construction is shown below. Specifications subject to change without notice. Materials may differ depending upon cabinet construction.

**BACK** | ½" Woodgrain laminate rabbeted into ends, glued top & bottom with industrial hot met glue.

**BRACES** | Full depth braces provide I-beam stability & convenient anchor points for counter tops.

**DRAWER GUIDES** | Features captive roller, (75lb) epoxy-coated stay-closed side guides.

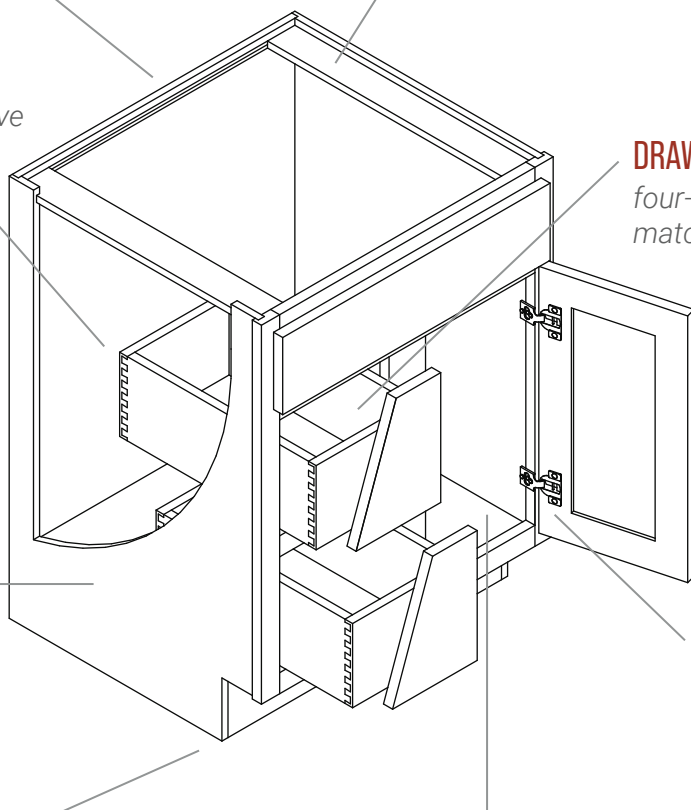
**DRAWERS** | ⅝" Solid dovetail drawers, four-sided construction & captive ¼" matching laminate bottom.

**END PANELS** | ½" Substrate with light maple wood grain interior, designated laminate exterior.

**HINGES** | 108° 6-way adjustable, self-closing concealed hinges.

**TOE KICKS** | 4½" Toe Kicks with 3½" inset on all standard base cabinets.

**FLOORS** | ½" Wood grain laminate encapsulated in dado; glued all sides with industrial grade hot melt glue.



## VANITY BASE CABINETS

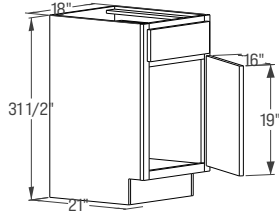
- Includes two hinges per door.
- Shelf not included; cabinet not drilled for shelves.
- 18" altered depth modification available.
- 34½" height modification available.

### 21" Deep, 31½" High

#### SINGLE DOOR

1 Drawer

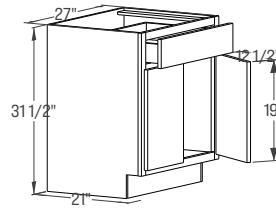
VB12 L or R  
VB15 L or R  
**VB18** L or R  
VB21 L or R  
VB24 L or R



#### BUTT DOORS (NON-BUTT AVAILABLE)

1 Drawer

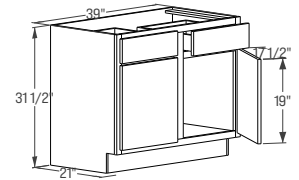
VB24B  
**VB27B**  
VB30B  
VB33B  
VB36B  
VB48B  
(2 Drawers,  
8 Doors)



#### DOUBLE DOORS

2 Drawers

**VB39**  
VB42  
VB45



## VANITY SINK BASE CABINETS

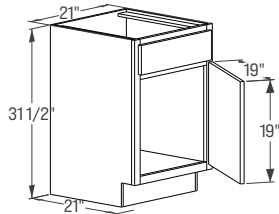
- Includes two hinges per door.
- Shelf not included; cabinet not drilled for shelves.
- 15", 16", 18" altered depth modification available.
- 34½" height modification available.

### 21" Deep, 31½" High

#### SINGLE DOOR

1 False Front

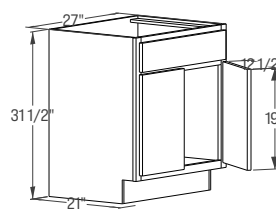
VSB18 L or R  
**VSB21** L or R



#### BUTT DOORS (NON-BUTT AVAILABLE)

1 False Front

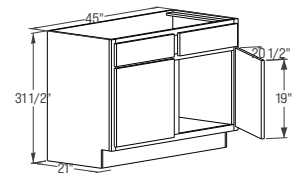
VSB24B  
**VSB27B**  
VSB30B  
VSB33B  
VSB36B  
VSB48B  
(2 Drawers,  
8 Doors)  
VSB54B  
(2 Drawers,  
8 Doors)



#### DOUBLE DOORS

2 False Fronts

VSB39  
VSB42  
**VSB45**



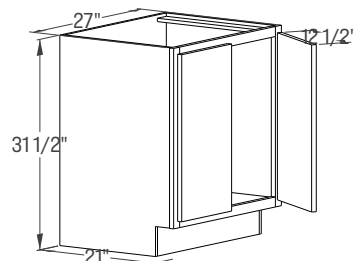
## VANITY SINK WITH FULL HEIGHT DOOR BASE CABINETS

- Includes two hinges per door.
- Shelf not included; cabinet not drilled for shelves.
- 15", 16", 18" altered depth modification available.
- 34½" height modification available.

#### BUTT DOORS (NON-BUTT AVAILABLE)

No Drawer

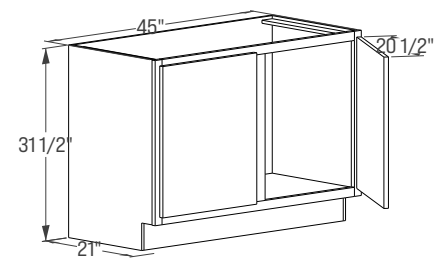
VSBF24B  
**VSBF27B**  
VSBF30B  
VSBF33B  
VSBF36B



#### DOUBLE DOORS

No Drawer

VSBF39  
VSBF42  
**VSBF45**  
VSBF48B (4 Doors)  
VSBF54B (4 Doors)  
VSBF60B (4 Doors)  
VSBF66B (4 Doors)  
VSBF72B (4 Doors)



# VANITY 2 DRAWER BASE CABINETS

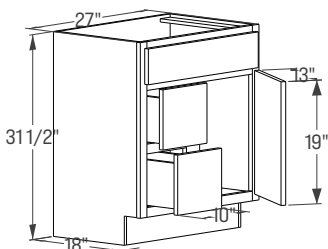
- Includes two hinges per door.
- Shelf not included; cabinet not drilled for shelves.
- 18" altered depth modification available.
- 34½" height modification available.

## 18" Deep, 31½" High

### SINGLE DOOR

2 Drawers

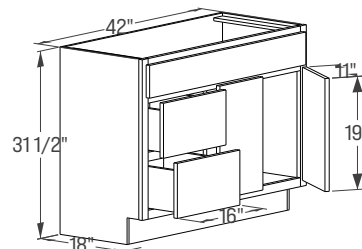
- VS2D2418 L or R
- VS2D2718** L or R
- VS2D3018 L or R
- VS2D3318 L or R
- VS2D3618 L or R



### BUTT DOORS

2 Drawers

- VS2D4218B** L or R
- VS2D4518B L or R
- (2 False Fronts)
- VS2D4818B L or R
- (2 False Fronts)

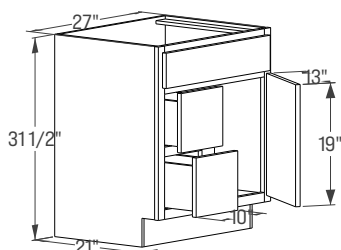


## 21" Deep, 31½" High

### SINGLE DOOR

2 Drawers

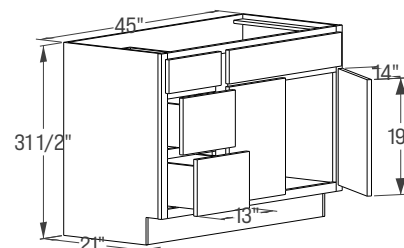
- VS2D24 L or R
- VS2D27** L or R
- VS2D30 L or R
- VS2D33 L or R
- VS2D36 L or R



### BUTT DOORS

2 Drawers

- VS2D42B L or R
- VS2D45B** L or R
- (2 False Fronts)
- VS2D48B L or R
- (2 False Fronts)



# VANITY COMBINATION CABINETS

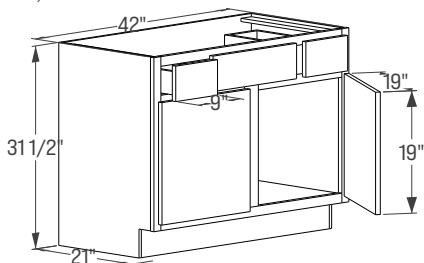
- Includes two hinges per door.
- Shelf not included; cabinet not drilled for shelves.
- On 4 door cabinets, top drawer head does not align.
- 34½" height modification available.

## 21" Deep, 31½" High

### DOUBLE DOORS

2 Drawers,  
1 False Front

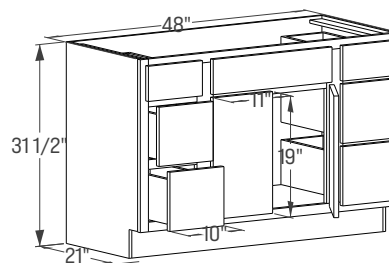
- VSC36B 12" Sink Allowance
- VSC39 15" Sink Allowance
- VSC42** 18" Sink Allowance
- VSC45 21" Sink Allowance
- VSC48B (4 Doors) 24" Sink Allowance
- VSC54B (4 Doors) 30" Sink Allowance
- VSC60B (4 Doors) 36" Sink Allowance
- VSC72B (4 Doors) 48" Sink Allowance



### BUTT DOORS

6 Drawers,  
1 False Front

- VS6D42 (1 Door) 16" Sink Allowance
- VS6D45 (1 Door) 19" Sink Allowance
- VS6D48B** 22" Sink Allowance
- VS6D60B 22" Sink Allowance
- VS6D66B 28" Sink Allowance
- VS6D72B 28" Sink Allowance



# VANITY 2 SINK BASE CABINETS

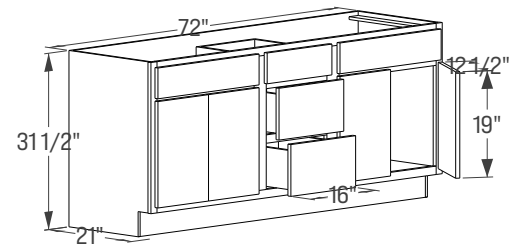
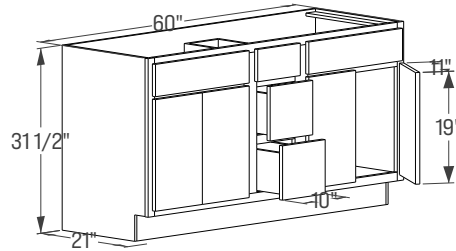
- Includes two hinges per door.
- Shelf not included; cabinet not drilled for shelves.
- 18" altered depth modification available.
- 34½" height modification available.

## 21" Deep, 31½" High

### SINGLE DOOR

2 Drawers, 2 False Fronts

- |                 |                    |
|-----------------|--------------------|
| VCD54 (2 Doors) | 21" Sink Allowance |
| <b>VCD60B</b>   | 24" Sink Allowance |
| VCD66B          | 27" Sink Allowance |
| <b>VCD72B</b>   | 27" Sink Allowance |



# VANITY SINK FRONTS

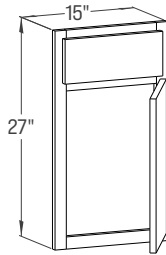
- Includes two hinges per door.
- Toe kick not included.

## 27" High

### SINGLE DOOR

1 False Front

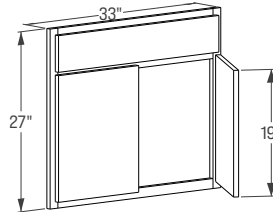
- VSF15  
VSF18  
VSF21



### BUTT DOORS (NON-BUTT AVAILABLE)

1 False Front

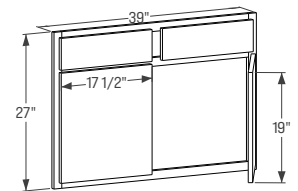
- VSF24B  
VSF27B  
VSF30B  
**VSF33B**  
VSF36B  
VSF48B (4 Doors)



### DOUBLE DOORS

1 False Front

- VSF39  
VSF42  
VSF45



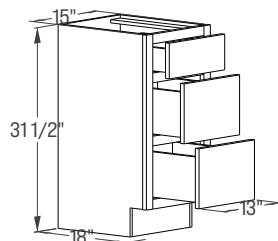
# VANITY 3 DRAWER BASE CABINETS

- Includes standard top drawer and two deep bottom drawers.

## 18" DEEP, 31½" HIGH

3 Drawers

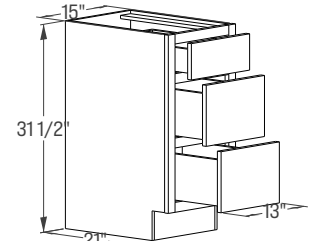
- V3D1218  
**V3D1518**  
V3D1818  
V3D2118  
V3D2418



## 21" DEEP, 31½" HIGH

3 Drawers

- V3D12  
**V3D15**  
V3D18  
V3D21  
V3D24





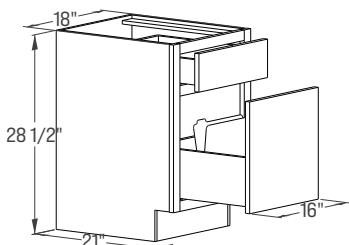
# DESK HEIGHT CABINETS

- File hanging rack not included.
- Top drawer only available with standard epoxy slides.
- 18" altered depth modification available.

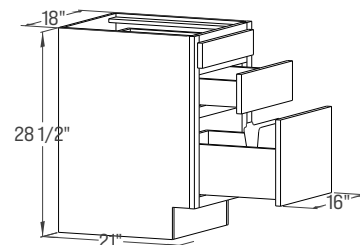
## 21" Deep, 28 1/2" High

### FILE

2 Drawers  
**V2D18DH**  
 V2D21DH

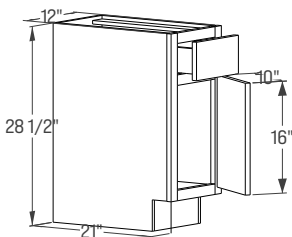


3 Drawers  
**V3D18DH**  
 V3D21DH

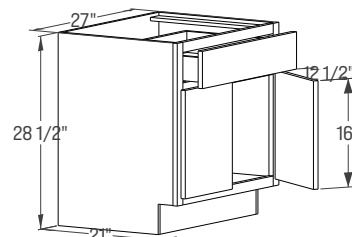


### SINGLE DOOR

1 Drawer  
**VB12DH**  
 VB15DH  
 VB18DH  
 VB21DH  
 VB24DH



1 Drawer  
**VB27BDH**  
 VB30BDH  
 VB33BDH  
 VB36BDH

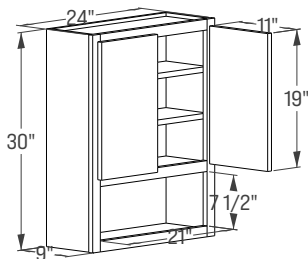


# BOUTIQUE CABINETS

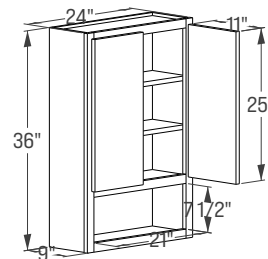
- Adjustable shelf quantities listed in ( ) below.
- Includes 2 hinges per door.
- Vanity wall cabinet includes matching interior.
- Medicine cabinet is designed to be recessed in wall.
- Vanity knee drawer has 28" - 34" trimmable sides; only available with standard epoxy slides.

### VANITY

30" High (2)  
**VW2430BMI**  
 VW24306BMI

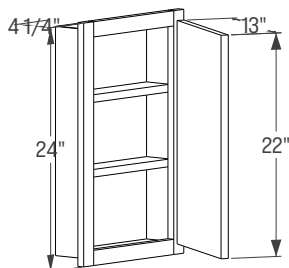


36" High (2)  
**VW2436BMI**  
 VW24366BMI



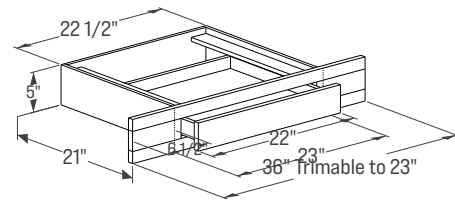
### MEDICINE CABINET

24" & 30" High (2)  
**MC24**  
 MC30



### VANITY KNEE DRAWER

**VK30**  
**VK36**



# FLOATING VANITY CABINETS

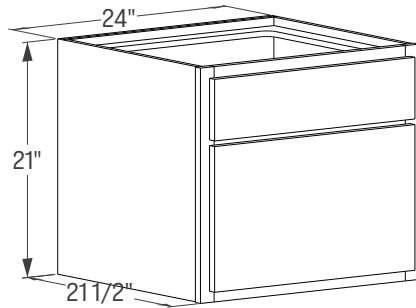
- Includes two hinges per door.
- Shelf not included.
- Open base cabinet includes matching interior.
- 18" altered depth modification available.
- Install supports recommended; install instructions available upon request.

21½" Deep, 21" High

## SINGLE / BUTT DOOR SINK

1 False Front

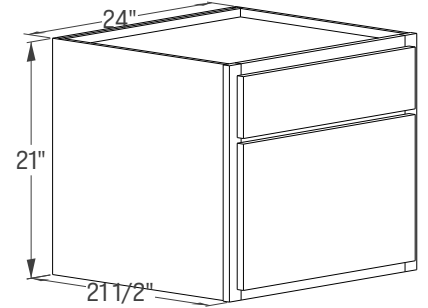
- FLVSB92121 L or R
- FLVSB122121 L or R
- FLVSB152121 L or R
- FLVSB182121 L or R
- FLVSB212121 L or R
- FLVSB272121 L or R
- FLVSB272121B
- FLVSB302121B
- FLVSB332121B
- FLVSB362121B



## SINGLE / BUTT DOOR BASE

1 Drawer

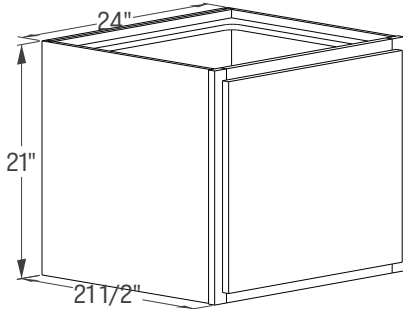
- FLVB92121 L or R
- FLVB122121 L or R
- FLVB152121 L or R
- FLVB182121 L or R
- FLVB212121 L or R
- FLVB272121 L or R
- FLVB272121B
- FLVB302121B
- FLVB332121B
- FLVB362121B



## SINGLE / BUTT DOOR FULL HEIGHT SINK

No Drawer

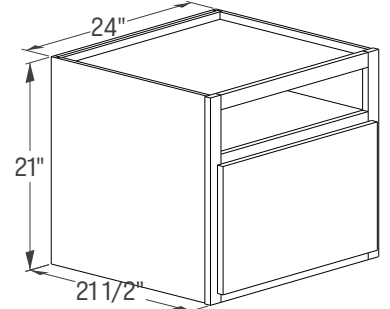
- FLVSBF92121 L or R
- FLVSBF122121 L or R
- FLVSBF152121 L or R
- FLVSBF182121 L or R
- FLVSBF212121 L or R
- FLVSBF272121 L or R
- FLVSBF272121B
- FLVSBF302121B
- FLVSBF332121B
- FLVSBF362121B



## SINGLE / BUTT DOOR OPEN UPPER BASE

No Drawer

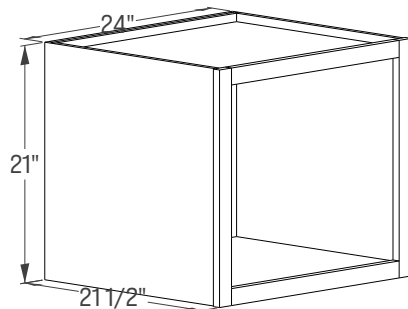
- FLVOT92121MI L or R
- FLVOT122121MI L or R
- FLVOT152121MI L or R
- FLVOT182121MI L or R
- FLVOT212121MI L or R
- FLVOT242121MI L or R
- FLVOT272121BMI
- FLVOT302121BMI
- FLVOT332121BMI
- FLVOT362121BMI



## NO DOOR, FULL HEIGHT OPEN BASE

No Drawer

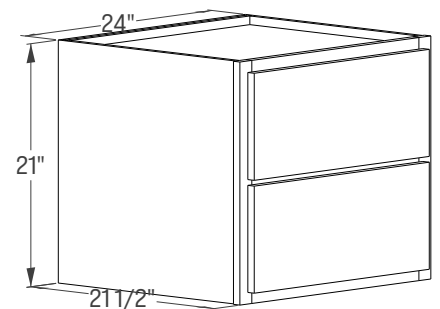
- FLVO92121MI
- FLVO122121MI
- FLVO152121MI
- FLVO182121MI
- FLVO212121MI
- FLVO242121MI
- FLVO272121MI
- FLVO302121MI
- FLVO332121MI
- FLVO362121MI



## 2 DRAWER BASE

No Door

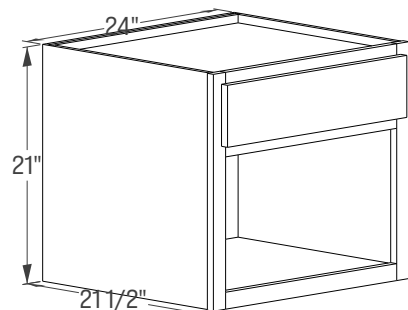
- FLV2D92121
- FLV2D122121
- FLV2D152121
- FLV2D182121
- FLV2D212121
- FLV2D242121
- FLV2D272121
- FLV2D302121
- FLV2D332121
- FLV2D362121



## NO DOOR, OPEN LOWER BASE

1 Drawer

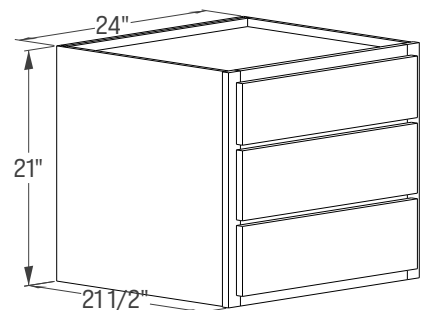
- FLVOB92121MI
- FLVOB122121MI
- FLVOB152121MI
- FLVOB182121MI
- FLVOB212121MI
- FLVOB242121MI
- FLVOB272121MI
- FLVOB302121MI
- FLVOB332121MI
- FLVOB362121MI



## 3 DRAWER BASE

No Door

- FLV3D92121
- FLV3D122121
- FLV3D152121
- FLV3D182121
- FLV3D212121
- FLV3D242121
- FLV3D272121
- FLV3D302121
- FLV3D332121
- FLV3D362121



# LINEN TALL CABINETS

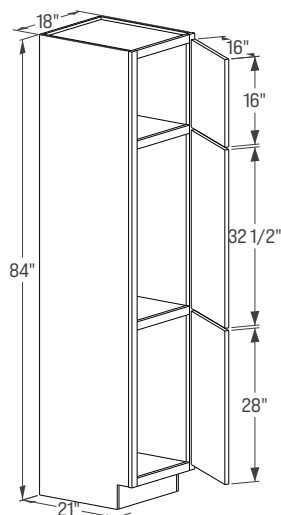
- Fixed shelf quantities listed in ( ) below; **additional shelf kits must be ordered separately.**
- 84" high cabinets will have the bottom two sections drilled for shelves.
- Doors up to 36" high receive two hinges per door; doors greater than 36" high receive three hinges.
- 84" high cabinet aligns with 18" high wall.
- 18-21" altered depth modification available.

## 18" Deep, 84" High

### SINGLE DOOR

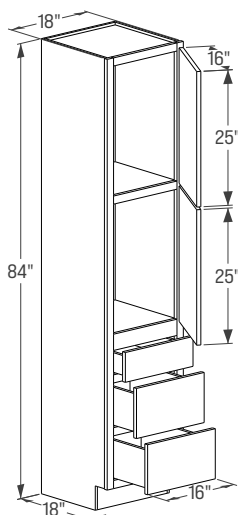
No Drawer (2)

LT158418 L or R  
LT188418 L or R



3 Drawers (1)

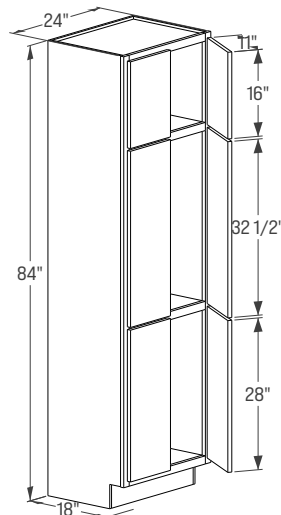
LT3D188418 L or R



### BUTT DOORS (NON-BUTT AVAILABLE)

No Drawer (2)

LT248418B  
LT308418B

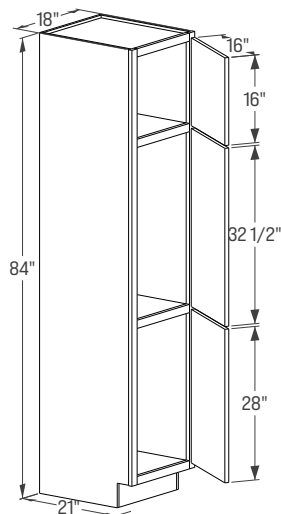


## 21" Deep, 84" High

### SINGLE DOOR

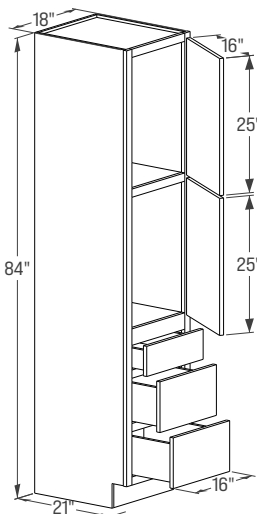
No Drawer (2)

LT158421 L or R  
LT188421 L or R



3 Drawers (1)

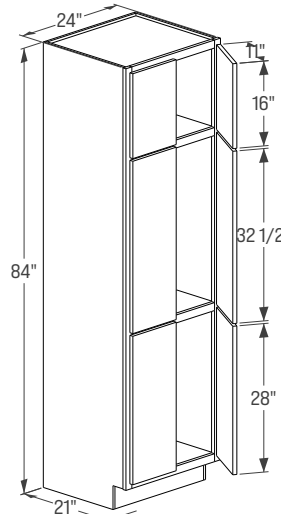
LT3D188421 L or R  
LT308421B L or R



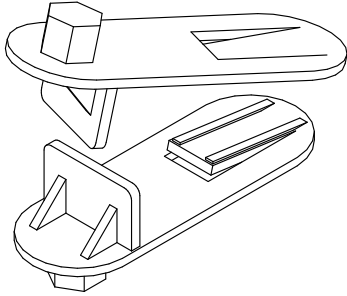
### BUTT DOORS (NON-BUTT AVAILABLE)

No Drawer (2)

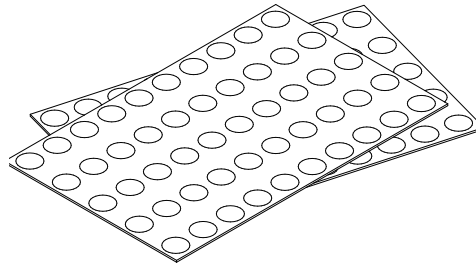
LT248421B  
LT308421B



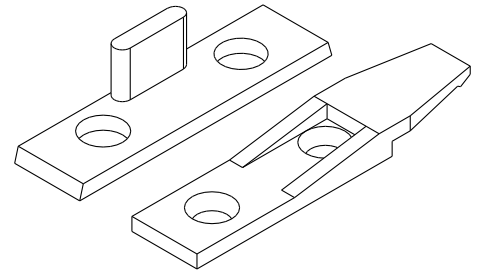
# ACCESSORIES



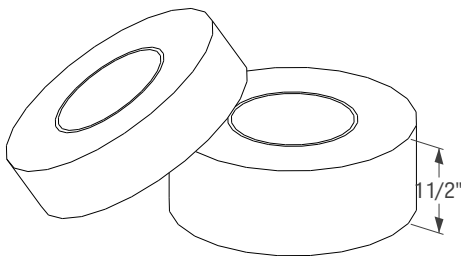
**SHELF CLIPS**



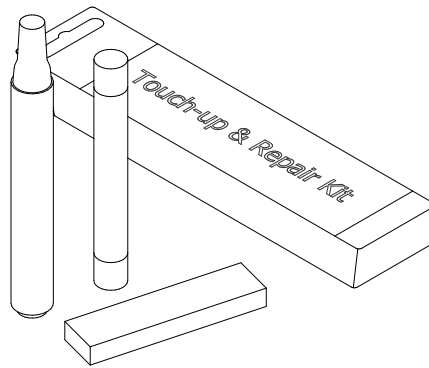
**BUMPERS**



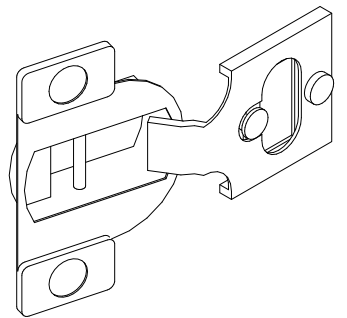
**REMOVABLE FRONT CLIPS**



**EDGE TAPE**



**TOUCH-UP KIT**



**DOOR HINGE**

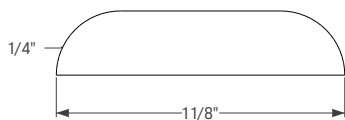


# TRIM, & MOLDING

- 8' length.
- Trim and molding is finished wood or paint grade molding.

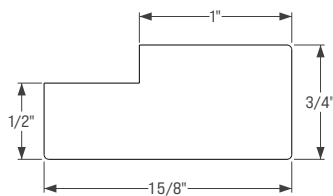
## BATTEN TRIM

M8  
(Box of 25)  
**BM8S\_1**  
(Single Piece)



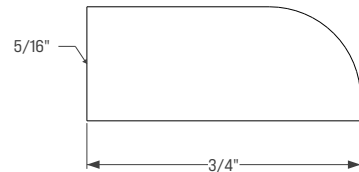
## LIGHT RAIL TRIM

LR8  
(Box of 10)  
**LR8S\_1**  
(Single Piece)



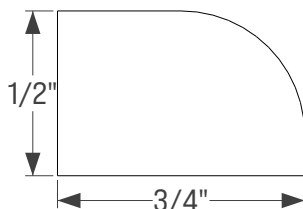
## SCRIBE TRIM

SCM8  
(Box of 25)  
**SCM8S\_1**  
(Single Piece)



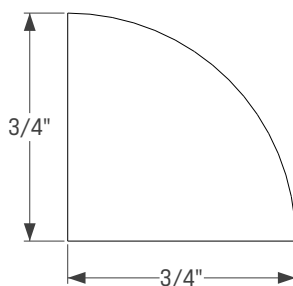
## BASE SHOE MOLDING

BSM8  
(Box of 25)  
**BSM8S\_1**  
(Single Piece)



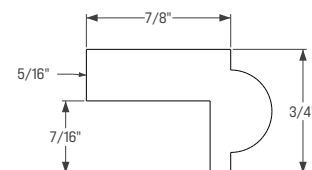
## SHOE TRIM

SM8  
(Box of 25)  
**SM8S\_1**  
(Single Piece)



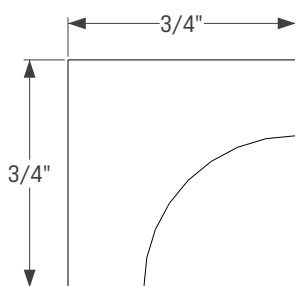
## UNDER MOUNT TRIM

UM8  
(Box of 25)  
**UM8S\_1**  
(Single Piece)



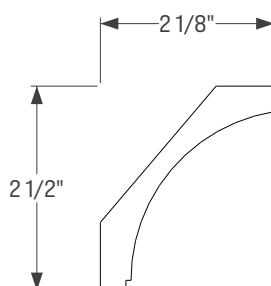
## INSIDE CORNER TRIM

IC8  
(Box of 25)  
**IC8S\_1**  
(Single Piece)



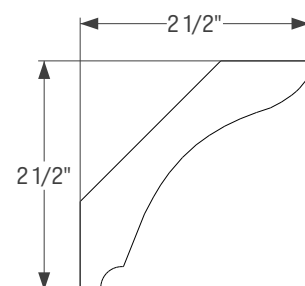
## SMALL COVE TRIM

SCOVE8  
(Box of 10)  
**SCOVE8S\_1**  
(Single Piece)



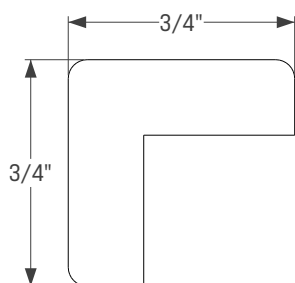
## LARGE COVE TRIM

LCOVE8  
(Box of 10)  
**LCOVE8S\_1**  
(Single Piece)



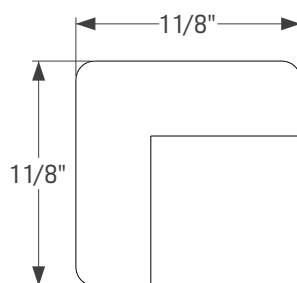
## OUTSIDE CORNER TRIM

OC8  
(Box of 25)  
**OC8S\_1**  
(Single Piece)



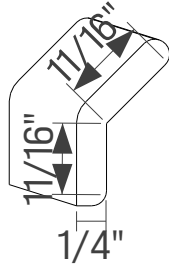
## LARGE OUTSIDE CORNER TRIM

LOC8  
(Box of 10)  
**LOC8S\_1**  
(Single Piece)



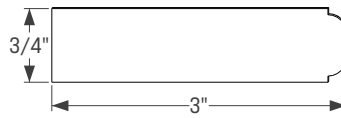
### ANGLED OUTSIDE CORNER

AOC8  
(Box of 10)  
AOC8S\_1  
(Single Piece)



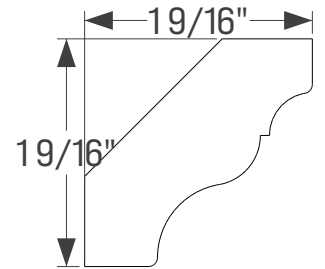
### SINGLE BEAD STACK MOLDING

SBS8  
(Box of 10)  
SBS8S\_1  
(Single Piece)



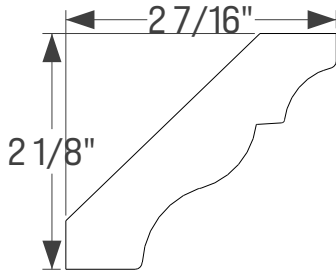
### CROWN MOLDING

CM8  
(Box of 10)  
CM8S\_1  
(Single Piece)



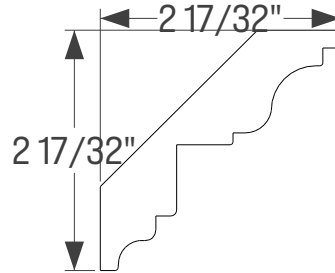
### LARGE CROWN MOLDING

LCM8  
(Box of 10)  
LCM8S\_1  
(Single Piece)



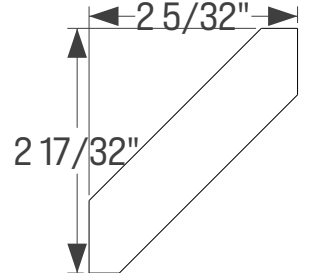
### DELUXE MOLDING

DLCM8S\_1  
(Single Piece)



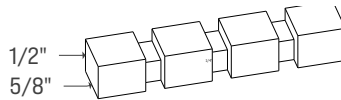
### SHAKER MOLDING

SHCM8  
(Box of 10)  
SHCM8S\_1  
(Single Piece)



### DENTIL

DEN8S\_1  
(Single Piece)



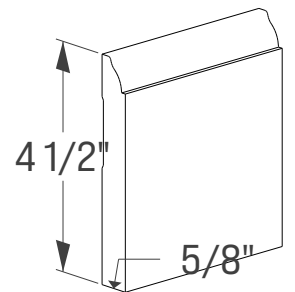
### ROPE

RP8S\_1  
(Single Piece)



### BASEBOARD

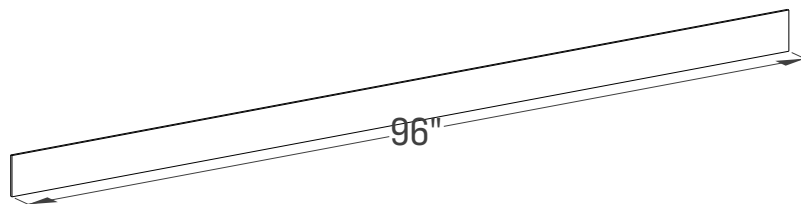
BBM8  
(Box of 10)  
BBM8S\_1  
(Single Piece)



## TOE KICK

### VENEER/LAMINATE TOE KICK

TK8  
(Box of 20)  
TK8S\_1  
(Single Piece)  
TK8SHC\_1  
(Single 9" Piece)  
TK8L  
(Box of 20)  
TK8LS\_1  
(Single Piece)  
TK8LSHC\_1  
(Single 9" Piece)



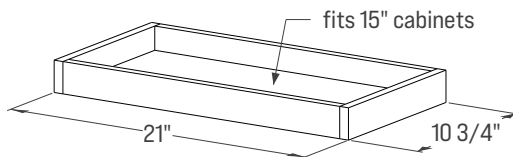
# SHELVING

- Roll-out shelf includes side mount standard epoxy slides; altered depth modification available for 18-21" cabinets
- Roll-out shelf will not come installed unless ordered with the cabinet. See page 74 for nomenclature instructions.
- Tall shelf kit includes shelf clips.
- Veneer plywood shelf is finishes on top and bottom; edge banded on face.

## ROLL-OUT SHELF

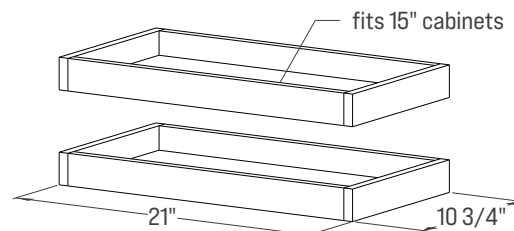
Single Set of 1

- ROS15\_1**
- ROS18\_1
- ROS21\_1
- ROS24\_1
- ROS27\_1
- ROS30\_1
- ROS33\_1
- ROS36\_1



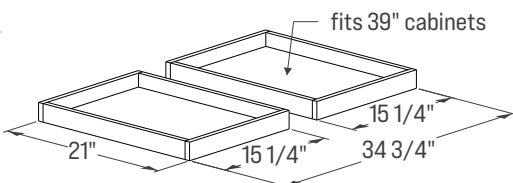
Single Set of 2

- ROS15\_2**
- ROS18\_2
- ROS21\_2
- ROS24\_2
- ROS27\_2
- ROS30\_2
- ROS33\_2
- ROS36\_2



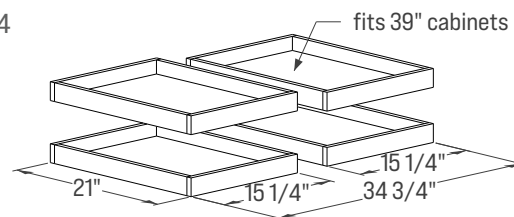
Double Set of 2

- ROS39\_2**
- ROS42\_2
- ROS45\_2
- ROS48\_2



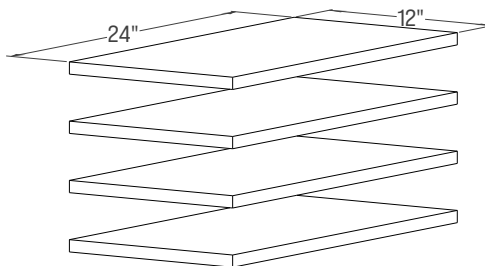
Double Set of 4

- ROS39\_4**
- ROS42\_4
- ROS45\_4
- ROS48\_4



## TALL SHELF KIT

- | 12" Deep       | 18" Deep | 21" Deep | 24" Deep |
|----------------|----------|----------|----------|
| TSK1212        | TSK1518  | TSK1521  | TSK1224  |
| TSK1512        | TSK1818  | TSK1821  | TSK1524  |
| TSK1812        | TSK2418  | TSK2421  | TSK1824  |
| TSK2112        | TSK3018  | TSK3021  | TSK2124  |
| <b>TSK2412</b> |          |          | TSK2424  |
| TSK3012        |          |          | TSK3024  |
| TSK3612        |          |          | TSK3624  |



## VENEER PLYWOOD SHELVING

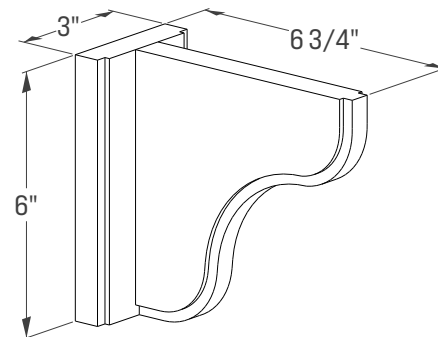
3/4" Edge Banded

- 75\_PANEL\_12X96**
- 75\_PANEL\_15X96
- 75\_PANEL\_24X96
- 75\_PANEL\_48X96



## BRACKET

- WSB66**
- WSB99
- WSB1212



# FILLERS, SKINS, & VALANCES

- Fillers finished on one side and all edges.
- Standard filler edges are not intended for exposed applications.
- Corner filler finished on one side.
- Overlay filler only available in full overlay door styles.

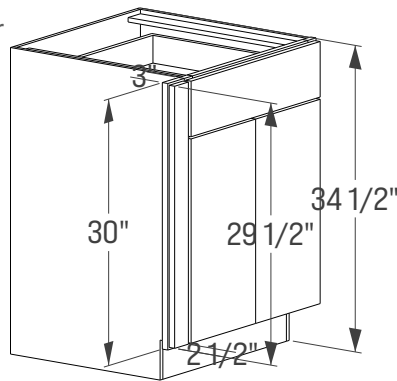
## FILLERS

Wall / Tall	All Sides Finished	Fluted with Miter
WF330_1	WF330_FIN	WFMFLUTE312
<b>WF630_1</b>	WF336_FIN	WFMFLUTE315
WF930_1	WF342_FIN	WFMFLUTE318
WF336_1	WF630_FIN	WFMFLUTE324
WF636_1	WF636_FIN	WFMFLUTE330
WF936_1	WF642_FIN	WFMFLUTE336
WF342_1	WF930_FIN	WFMFLUTE342
WF642_1	WF936_FIN	WFMFLUTE348
TF384_1	WF942_FIN	TFMFLUTE384
TF684_1	TF384_FIN	TFMFLUTE390
TF396_1	TF684_FIN	TFMFLUTE396
TF696_1	TF396_FIN	WFMFLUTE354
	TF696_FIN	WFMFLUTE360



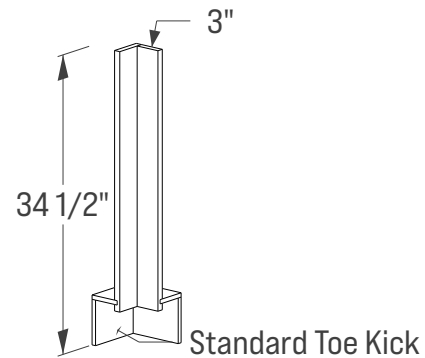
### Overlay Filler

- OF25295
- OF25355
- OF25415



### Corner Filler

BCF3X3



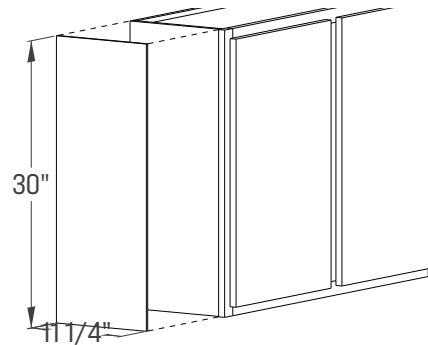
## SKINS

### 1/4" Veneer End Skin

WES30	11.25X30
WES36	11.25X36
WES39	11.25X39
WES42	11.25X42
WES4218	17.25X42
BES	23.25X34.5
BESHCH	23.25X32.5
VESBH	20.25X34.5
VES	20.25X31.5
TES	23.25X96

### 1/4" Laminated End Skin

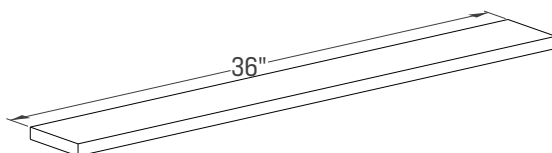
WES30L	11.25X30
WES36L	11.25X36
WES39L	11.25X39
WES42L	11.25X42
WES4218L	17.25X42
BESL	23.25X34.5
BESHCL	23.25X32.5
VESBHL	20.25X34.5
VESL	20.25X31.5
TESL	23.25X96
TES102L	23.25X102



## VALANCES

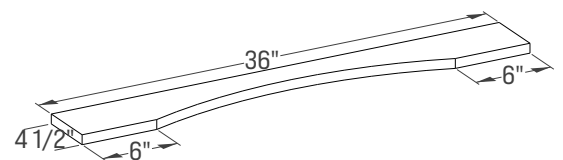
### Straight

- VAL30
- VAL33
- VAL36**
- VAL39
- VAL48
- VAL54
- VAL60
- VAL72
- VAL84
- VAL96



### Arched

- A-VAL36**
- A-VAL42
- A-VAL48
- A-VAL54
- A-VAL60
- A-VAL72





# PANELS

- Panels finished on one side.
- 75\_PANEL\_48x96 edge band not available.
- Veneer end panel finished on both sides and front.
- Laminated end panel finished laminate sides with finished front.

## PANEL

1/4" Veneer

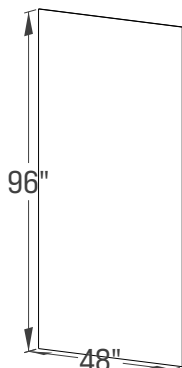
**P4896**  
P4834.5

1/4" Laminated

P4896L  
P4834.5L

1/2" Laminated

P.54896L



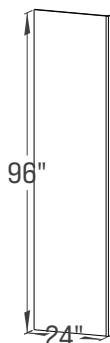
1/2" Removable Laminated

**RFPPANEL\_SB30**  
RFPPANEL\_SB33  
RFPPANEL\_SB36  
RFPPANEL\_SB39  
RFPPANEL\_SB42  
RFPPANEL\_VSB30  
RFPPANEL\_VSB33  
RFPPANEL\_VSB36

## LAMINATED END PANEL WITH FACE FRAME

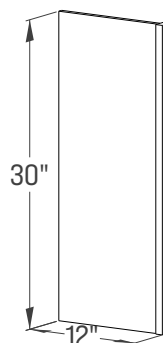
1/2" Thick Tall

**TEP1.58412** TEP39012  
TEP1.58424 TEP39024  
TEP1.59012 TEP39612  
TEP1.59024 TEP39624  
TEP1.59612 TEP39627  
TEP1.59624 TEP39630  
TEP1.59627 TEP310224  
TEP1.59630  
TEP1.510224  
TEP38412  
TEP38424



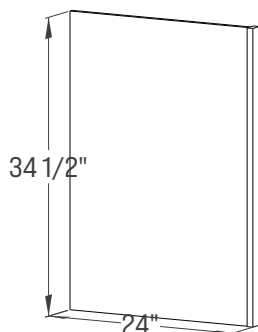
1/2" Thick Wall

**WEP1.530**  
WEP1.536  
WEP1.542  
WEP330  
WEP336  
WEP342



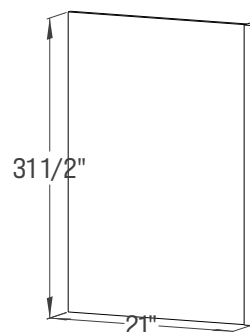
1/2" Thick Base

**BEP1.5**  
BEP3  
BEP6



1/2" Thick Vanity

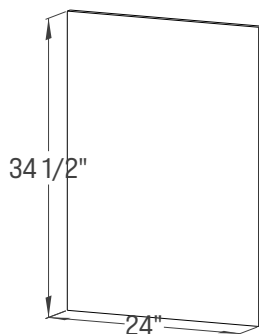
**VEP1.5**  
VEP3



## VENEER END PANEL

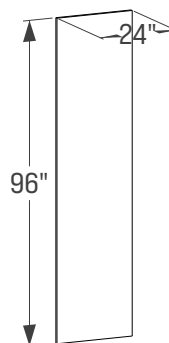
3/4" Veneer Base

**BEP75\_PANEL**



3/4" Veneer Tall

75\_PANEL\_12X96  
75\_PANEL\_15X96  
**75\_PANEL\_24X96**  
75\_PANEL\_48X96

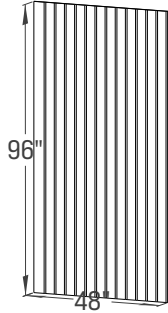


# PANELS, LEGS, & RANGE FRONT

- Insert panel only available in full overlay doors.
- Cabinet leg only available with field install.
- Decorative end panels ordered in full overlay must include **\_FULL+** after the nomenclature.

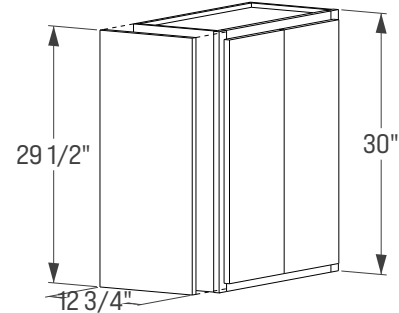
## BEADBOARD PANEL

1/4" Veneer  
BEADP48345  
BEADP4896



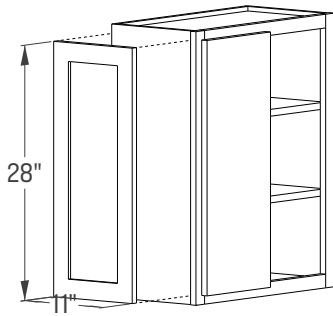
## INSERT PANEL

3/4" Thick  
IP1275295  
IP1275355  
IP1275415  
IP2475295

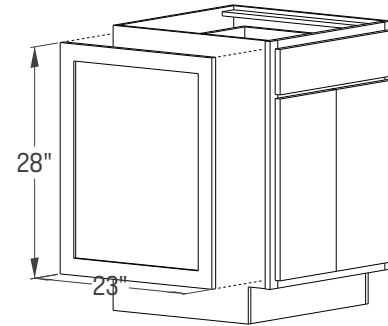


## DECORATIVE END PANEL

Wall  
DWP12  
DWP15  
DWP18  
DWP24  
**DWP30**  
DWP36  
DWP42

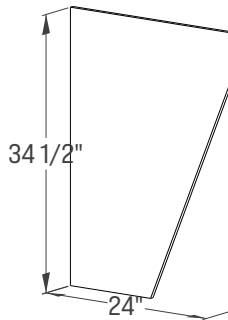


Base  
DBP24



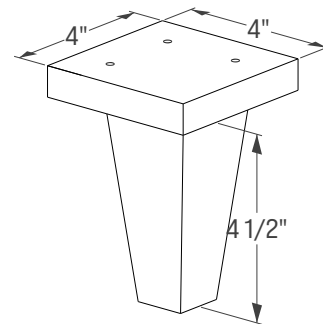
## LEG

1/2" Thick  
BTLEGM1  
(24"D X 34 1/2"H)  
VTLEGM1  
(21"D X 31 1/2"H)  
VTLEGHCM1  
(21"D X 32 1/2"H)



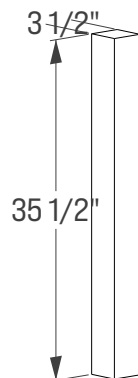
## CABINET LEG

STLEG1  
(1 Count)  
STLEG4  
(4 Count)  
STLEG6  
(6 Count)



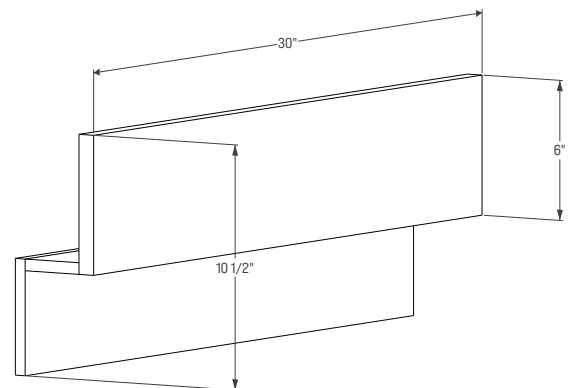
## POST LEG

SQPOST3.5X3.5X35.5



## DROP-IN RANGE FRONT

DRF30



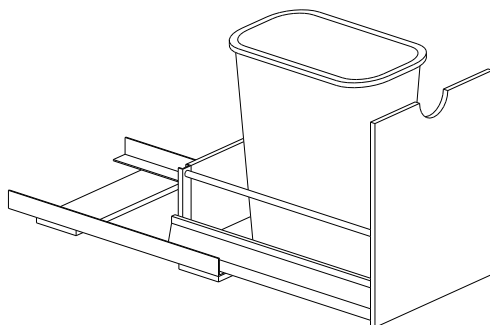
# CABINET INSERTS

- Waste bins and pull-out storage does not include door.
- Waste bins and pull out storage does not come installed unless ordered with the cabinet. See page 40 for factory installed nomenclatures.
- Sink tilt-out tray only available with field install.
- Lazy Susan tray is white epoxy material.
- Utensil tray is expandable to fit 15" and 18" wide cabinets.

## WASTE BINS

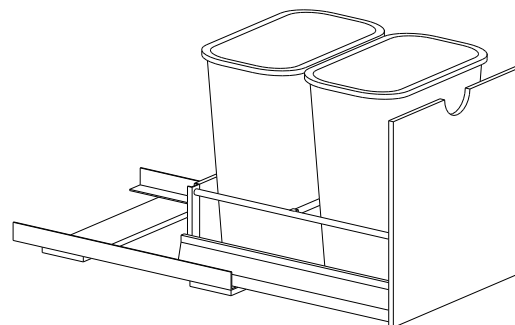
Single Bin

**BIN1\_15**  
(35 Quart Bin)



Double Bin

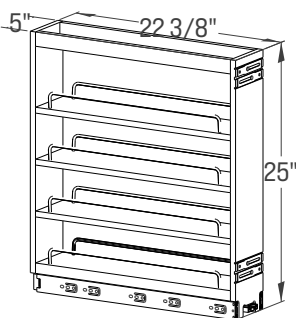
**BIN2\_18**  
(35 Quart Bins)  
**BIN2\_21**  
(35 Quart Bins)



## PULL-OUT STORAGE

6" 9" Wide

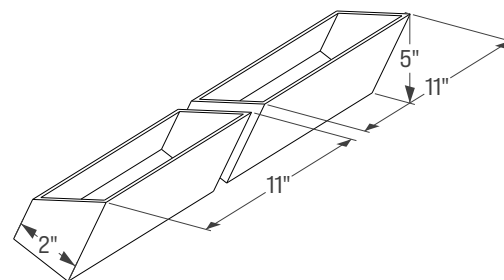
**BCSC6**  
(Fits 9" Cabinet)  
**BCSC9**  
(Fits 12" Cabinet)



## SINK TILT-OUT TRAY

11" Wide

**TOST**  
(2 Trays, 1 Hinge Set)



## LAZY SUSAN PARTS

18" Wide

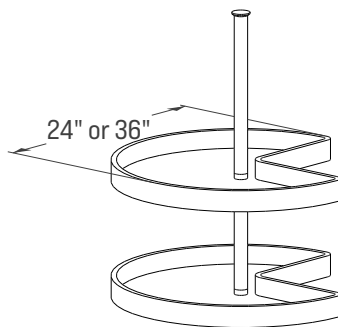
DWALS\_KIT

24" Wide

LS33\_KIT  
LS33\_TRAY  
LS36\_KIT  
LS33\_TRAY

32" Wide

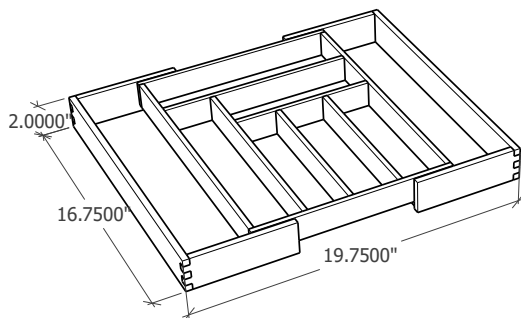
SLS33\_KIT  
SLS33\_TRAY  
SLS36\_KIT  
SLS36\_TRAY



## UTENSIL INSERT

15" 18" Wide

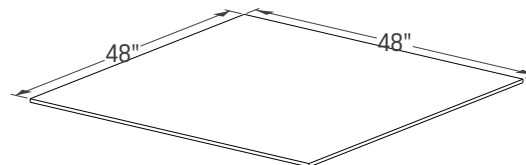
UTENSIL\_TRAY



## SINK FLOORS

48" Wide

**SFF4848L**  
**SFF4896L**  
**SFF4848MI**  
**SFF4896MI**



# REPLACEMENT PARTS

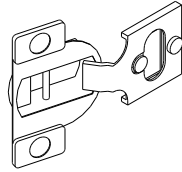
- All parts are quantity of one unless noted.
- Standard slides are 75lb dynamic rated; full extension and undermount soft close are 100lb dynamic rated.

## STANDARD OVERLAY HINGES

Standard Door

### HINGES

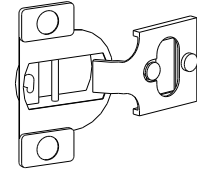
(2 Qty, 6-Way Adjustable)



Soft Close

### HINGES\_SOFT

(2 Qty)  
HINGES\_SOFT\_25  
(25 Pairs)

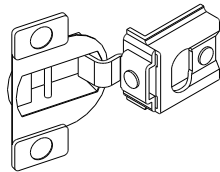


## FULL OVERLAY HINGES

Full Overlay Door

### OVER\_LAY\_HINGES

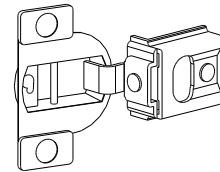
(2 Qty, 6-Way Adjustable)



Soft Close

### HINGES\_SOFT\_FOL

(2 Qty)  
HINGES\_SOFT\_FOL\_25  
(25 Pairs)

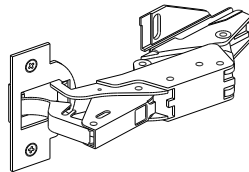


## LAZY SUSAN HINGES

Door to Face Fram

### LSHINGE\_SIDE

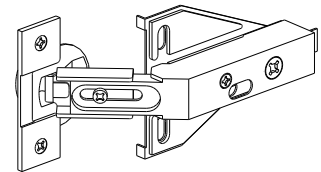
(2 Qty)



Door to Door

### LSHINGES\_CENTER

(2 Qty)



## DRAWER SLIDES

Standard Slides

18SLIDE SET

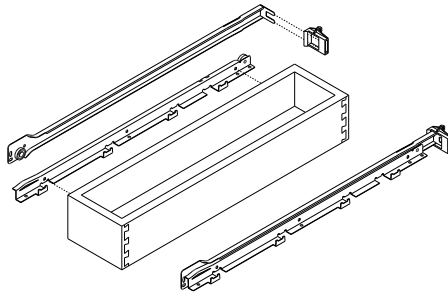
(18" Deep)

21SLIDE SET

(21" Deep)

24SLIDE SET

(24" Deep)



Full Extension Slides

18SLIDE SET FULL EXT

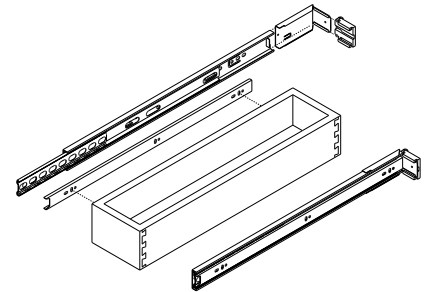
(18" Deep)

21SLIDE SET FULL EXT

(21" Deep)

24SLIDE SET FULL EXT

(24" Deep)



Undermount Soft Close

18SLIDE SET UNDER

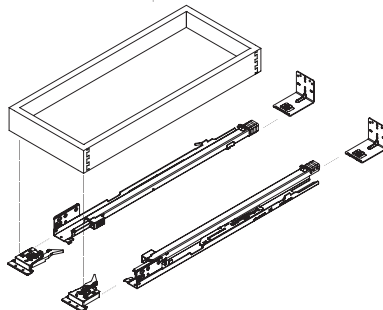
(18" Deep)

21SLIDE SET UNDER

(21" Deep)

24SLIDE SET UNDER

(24" Deep)



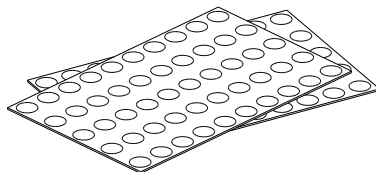
## BUMPERS

BUMPERS100

(100 Count)

BUMPERS\_BOX

(5,000 Count)



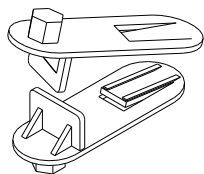
# REPLACEMENT PARTS

- All parts are quantity of one unless noted.
- Heat shield is made of Lexan.
- Touch up kit includes marker, putty stick, and scratch pad.

## CLIPS

$\frac{3}{4}$ " Shelf

SHELFCLIPS25\_75  
(25 Count)  
SHELFCLIPS100\_75  
(100 Count)

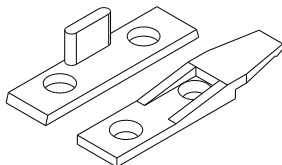


Non-Locking Shelf

SHELFCLIPS25\_NO\_LOCK  
(25 Count)  
SHELFCLIPS100\_NO\_LOCK  
(100 Count)

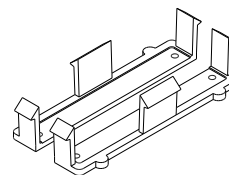
Removable Front

KEKU\_CLIP\_SET\_4



False Front

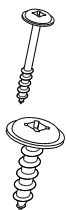
4.5\_FALSEFRONT\_CLIP  
(1 Pair)



## SCREWS

Drawer Front

DRFRONT SCREW25  
(25 Count)



Drawer Slide

SLIDE SCREW25  
(25 Count)



Door Hinge

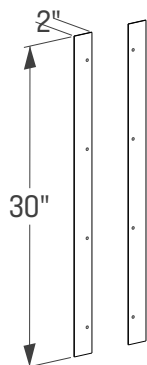
HINGE SCREW25  
(25 Count)



## HEAT SHIELD

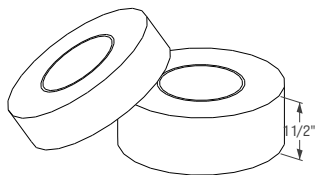
$\frac{1}{16}$ " Thick

HEAT\_SHEILD  
(1 Pair)



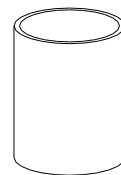
## EDGE TAPE

EDGEBAND\_TFL\_25  
(25 Feet)  
EDGEBAND\_TFL\_50  
(50 Feet)  
EDGEBAND\_TFL\_150  
(100 Feet)



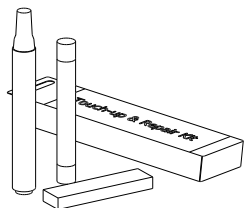
## TOUCH UP FINISH

QSTAIN  
(Quart)  
TOPCOAT\_CAN  
(Clear Coat Spray)  
QPAINT  
(Quart)



## TOUCH-UP KIT

TUK





# ORDERING

CABINET MODIFICATIONS	74
ORDERING / ORDER PROCESS	75
ONLINE ORDER ENTRY	76
FREQUENTLY ASKED QUESTIONS	78



FREEMONT | MAPLE | MODIFIED FULL OVERLAY | IN ELEGANT WHITE & CARAMEL



After you have made your selection, you are now ready to send in your order.

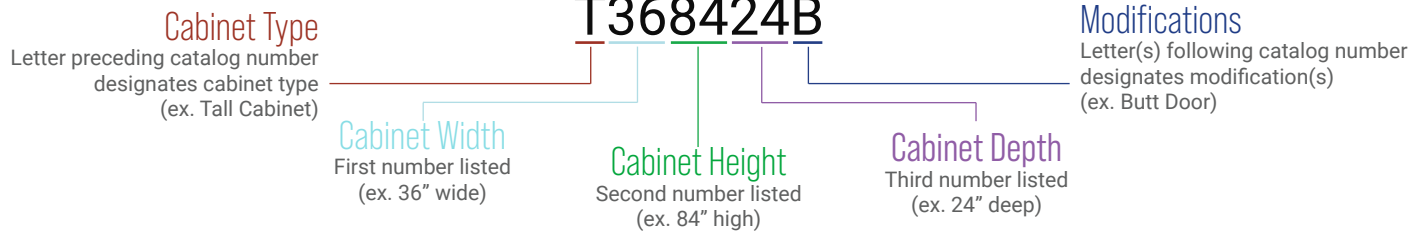
This section provides a brief explanation on how our SKU naming system works, our order process, online ordering tutorial, and frequently asked questions.

Only registered dealers are able to place an order or use our convenient online ordering system.

Contact your Sales Representative for more information on how to become a registered Smart Cabinetry dealer.



# CABINET MODIFICATIONS



## CONSTRUCTION MODIFICATIONS

PLYA	All Plywood Construction	B12PLYA
PLY	Plywood Construction for Cabinet Parts	SH30PLY
_MAX	Max Construction	B12_MAX
_ULT	Ultimate Construction	B12_ULT

## CABINET MODIFICATIONS

B	Butt Doors	B24B
FH	Full Height Door	B12FH
P	Peninsula Cabinet	B24BP, W2430P
RF	Removable Front (32 1/2" - 4 1/2" toe)	VS36BHCSTDTKRF_ADA
_RFL	Removable Floor (32 1/2" - 4 1/2" toe)	VS36BHCSTDTK_RFL
_ADA	27" Clearance from False Front to Floor	WHB30_ADA
_UFAS	29 1/2" Clearance from False Front to Floor	WHB30_UFAS

## CABINET HEIGHT MODIFICATIONS

HC	Universal Access (32 1/2" - 9" toe)	B12HC
HCSTDTK	Standard Toe Kick Height (32 1/2" - 4 1/2" toe)	B12HCSTDTK, VSB12HCSTDTK
BH	Base Height for Vanity Cabinets (34 1/2" - 4 1/2" toe)	VB12BH
DH	Desk Height (28 1/2" - 4 1/2" toe)	VB12DH
BAR	Bar Height (40 1/2" - 4 1/2" toe)	B42BAR

## UPGRADE MODIFICATIONS

GPREP	Glass Prep Doors	W3030BGPREP
MI	Matching Interior	B12NDIMI
GPREPMI	Glass Prep and Matching Interior	W3030BGPREPMI
_FDSH	Full Depth Shelf	B36B_FDSH
ROS	Roll Out Shelf (Field Install)	ROS24
_ROS	Roll out Shelf (Factory Install)	B24B_ROS (Only available in 24" deep)
BIN	Waste Bin (Field Install)	BIN1_15
_BIN	Waste Bin (Factory Install)	B15_BIN1

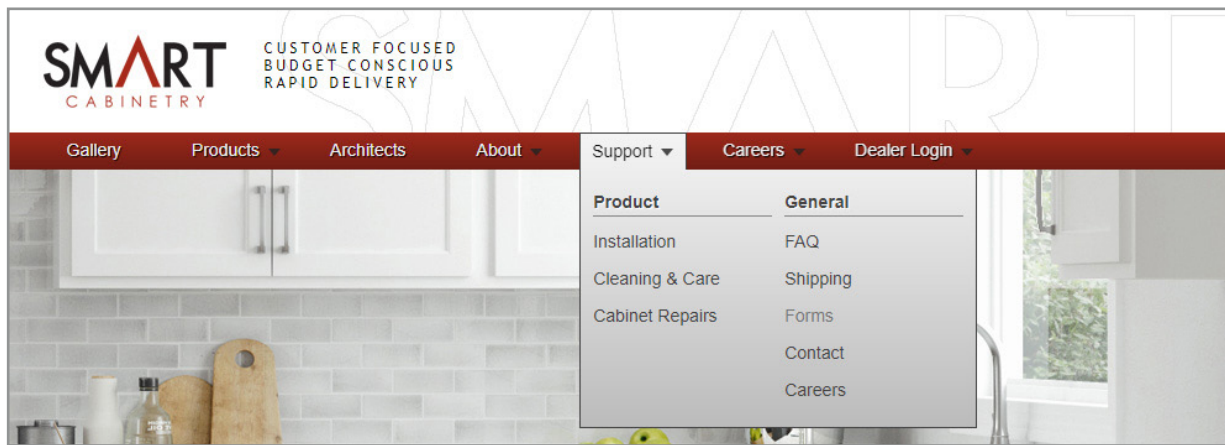
## CABINET PARTS

F	Face Frame and Doors	W1230F, S12F, VS12F
FF	Face Frame Only	B12FF
ND	No Doors (Applies to Full Height and Walls only)	B12FHND, W3030ND
CASE	Cabinet Box Only	B12CASE
_4HOLE	Lazy Susan Door with 4 Hinges (Door to Frame)	DR1028S3_4HOLE
_NODRILL	Lazy Susan Door with no Hinges (Door to Door)	DR1028S3_NODRILL
SH	Shelf (Single) 3/4" thick	12SH (SH Width)
SH + DIM + MI	Shelf Matching Interior	SH12MI
DR	Door	DR1013 (DR Width Height)
DF	Drawer Front	DF5528 (DF Height Width)
DF**CLIP	False Front with Mounting Clips Attached	DF5528CLIP (DF Height Width)
DB**WS	Drawer Box (with Slides "WS")	DB10214 WS (DB Width Depth Height WS)



# ORDERING / ORDER PROCESS

Smart Cabinetry customers can place orders by submitting an order form or by using our convenient Online Ordering System. Contact your Sales Representative with questions.



## ORDERING USING A FORM

1. Direct your browser to [smartcabinetry.com/forms.php](http://smartcabinetry.com/forms.php)
2. Fill in order information
  - "PO#" must be unique per order.
  - Door Style, Finish, and Construction type must be unique per order. A new form must be completed for additional options.
  - Use the notes field for order specific information. (ex: delivery instructions, delivery time, special cabinet modification, unit information, etc.)
  - Make sure to enter a delivery date, when the order needs delivered past our current lead times, or has a specific delivery request.
3. Save Order Form
4. Submit to [orders@smartcabinetry.com](mailto:orders@smartcabinetry.com)

## ORDER PROCESS

The following process takes place for standard orders:

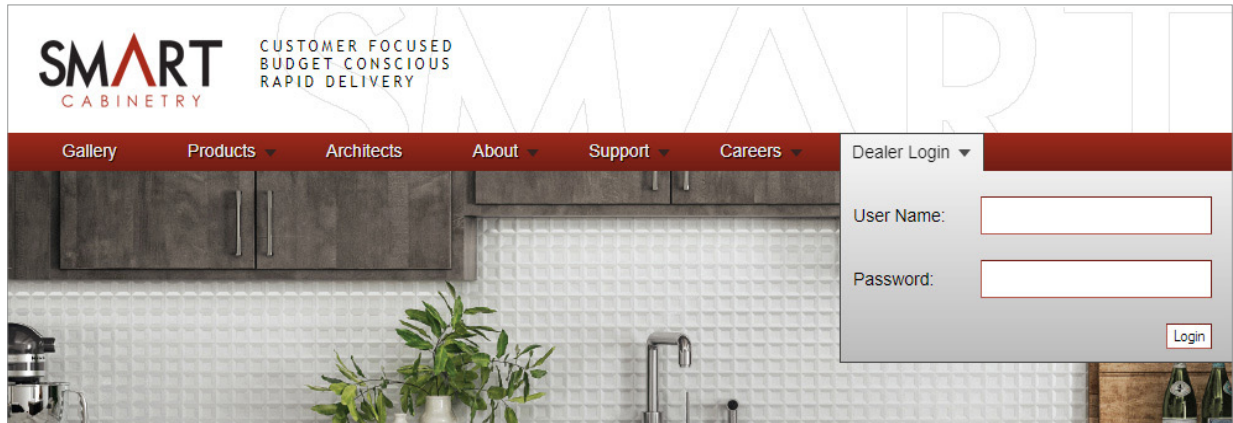
1. Order Submitted
2. Order Entered & Confirmation Sent
3. Change/Sign-Off Period of 24 Hours Starts
4. Order Scheduled at Current Lead Time
5. Order Purchased (12-14 business days before build date)
6. Production Begins (7 business days prior to build date)
7. Delivery Scheduled (3-5 business days prior to ship date)
8. Order Built (day cabinets are assembled)
9. Ship Date (day cabinets leave our production facility)
10. Order Delivered (1-8 days after ship date)



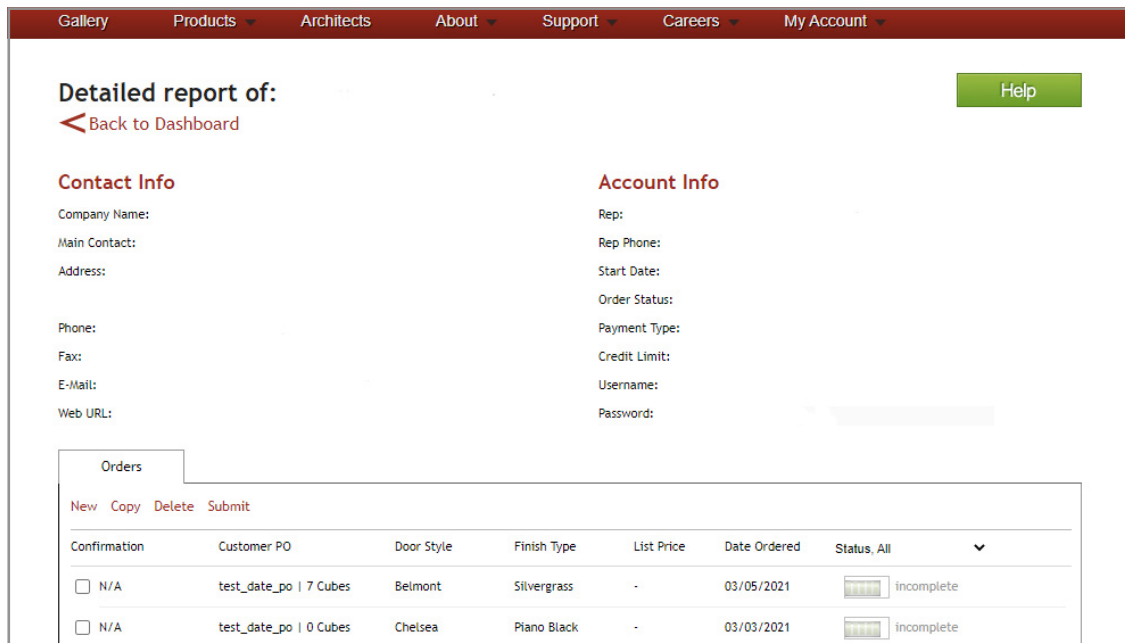
# ONLINE ORDER ENTRY TUTORIAL

As a Smart Cabinetry customer, you have access to the Online Ordering System. We encourage all of our customers to utilize the Online Ordering System to ensure accuracy and an accelerated processing of your requested orders.

If you have questions regarding your customer account, please contact your Sales Representative.



1. Direct your browser to [smartcabinetry.com](http://smartcabinetry.com)
2. Enter your user name and password into the corresponding field, and press the "Login" button
  - Contact [customerservice@smartcabinetry.com](mailto:customerservice@smartcabinetry.com) for this information
  - Our system is designed to work with most web browsers. For best results, please use either **Mozilla Firefox** or **Google Chrome**.



3. Dashboard overview:

**NEW:** To enter a New Order, JCO, or Quote, press the "New" button on the Orders section.

**COPY:** To copy an order, select the check box next to the order you would like to copy and press the "Copy" button. This will load the order into our system and allow for changes to be made. Only incomplete or not submitted orders may be copied at this time.

**DELETE:** To delete an order, select the check box next to the order you would like to delete.  
(you may select more than one)

**SUBMIT:** To submit an order, select the check box next to the order that you would like to submit.  
(you may select more than one)



Gallery Products Architects About Support Careers My Account

[Back to Report](#)

### Customer Information

Note: Effective 03/01/2022, new 2022 pricing will be used.

Customer Purchase Order Number (limited to 24 characters)

Bill To

Bill To Address

Bill To Address Line 2

City State Zip

Customer Phone Number Customer Fax Number

\*Your Email Address\* / Special Order Notes: (limited to 100 characters)

### Order Information

Order Type Warranties must be completed on Claims Form. Include photos via email or fax.

Select a Door Style Door Style Wood Species Panel Type

Select a Finish Finish Glaze: N/A Glaze

Select a Slide Slide Slide Cost NET (Per Drawerbox)

Select a Hinge Hinge Hinge Cost NET (Per Door)

Drawer Front: Standard Drawer Front Drawer Front Cost NET (Per Drawer Front)

Select Construction Construction Type 1.00 Estimated Multiplier

Item	Quantity	List	Net	Sub Cubes	Sub List	Sub Net
lookup...		0.00	0.00	0	0.00	0.00

4. Fill in order information:
- Begin completing your order by entering the required data. All order information must be filled in before cabinets or accessories can be added to the form.
- “Customer Purchase Order Number” must be unique per order.
  - Set a value for “Estimated Multiplier” to see your net cost updated in real-time.
  - As items are entered, more lines will appear below.
  - Items entered that do not exist in our online database will be highlighted in red. Items will be submitted to us, but no pricing or cubes will show until we approve or correct the item.
  - To delete a line item, press the “X” to the right of the line.
  - When finished press the “Continue” button.

Gallery Products Architects About Support Careers My Account

[Back to Report](#)

### Shipping Information

My Shipping Address is the same as my Billing Address

Ship To (limited to 50 characters)

Shipping Address (limited to 50 characters)

Apartment or Suite Number (limited to 45 characters)

City (limited to 50 characters) State Zip

Dealer Contact Name Dealer Contact Number

Special Delivery Instructions: (limited to 100 characters)

Back Continue

### Shipping Method

Delivery Method Delivery Method Description

Call Ahead  Unload Help

Residential Delivery  Receiving Dock

Job Site

Delivery Options

Requested Delivery Date is not guaranteed.

5. Fill in shipping information. When complete press the “Continue” button.
6. Review you order:
- Check to be sure all items have been entered correctly. If you notice a mistake, press the “Edit” button to change items on your order.



# FREQUENTLY ASKED QUESTIONS

## WHEN DOES MY LEAD TIME BEGIN?

Lead time begins after the 24 hour confirmation review and sign-off process.

## CAN I GET AN ESTIMATE FOR MY SHIPPING COST?

Estimates are available upon request. Please contact [cwgops@arkalogistics.com](mailto:cwgops@arkalogistics.com) for a quote. Freight estimates are valid for 30 business days from date of email sent to customer. Freight estimates are calculated and quoted by the most economical mode of transport.

## HOW DO I KNOW WHEN MY CABINETS WILL DELIVER?

For the actual date of delivery, please contact the shipping department 3-4 days prior to the projected ship week listed on your order confirmation.

## HOW MANY CABINETS CAN SHIP ON ONE TRUCKLOAD?

250-300 cabinets or 3,000 cubes are standard for one truckload (subject to change according to SKU sizes).

## WHAT ADDITIONAL SERVICES ARE AVAILABLE WITH DELIVERY?

Services like lift gate and driver assistance may be available at extra cost. For a complete list of accessory charges contact [cwgops@arkalogistics.com](mailto:cwgops@arkalogistics.com).

## WHAT IF MY SHIPMENT IS DAMAGED?

Upon delivery notify the delivery driver of the damage and request that he/she make a note of the damage on the Bill of Lading (BOL). Sign the BOL, as proof of delivery and include identified damage noted on signed BOL. All damaged items need to be accepted by the customer, Do not reject damaged items.

For instructions on how to file a claim, please review page 88.

Smart Cabinetry cannot be held responsible for any labor costs accrued during the installation of products sold via any of its channels of distribution due to claim. This includes, but not limited to, items that may be flawed or have become damaged in transit.

**Notes:** *This policy does not cover freight damages or shortages due to shipping of a product. Customer must receive product in accordance with Smart Cabinetry shipping and receiving policy, and may be required to submit information verifying the claim. These policies are set by our freight carriers, so failure to comply will result in loss of compensation for the customer.*



LEXINGTON | MAPLE | STANDARD OVERLAY | STAINED IN SLATE





# INSTALLATION & CARE

INSTALLATION TIPS	82
CLEANING & CARE	83
MINOR REPAIRS	85
TROUBLESHOOTING	86
CLAIMS INSTRUCTIONS	88
LIMITED 5 YEAR WARRANTY	89



TAHOE | FIBER BOARD | FULL OVERLAY | PAINTED IN NAUTICAL BLUE



## Thank you for choosing our cabinets!

We are glad that you chose Smart Cabinetry. We want to make sure you continue to enjoy your cabinets for years to come.

This section features our after purchase guides such as installation tips, troubleshooting common issues, how to do minor repairs, or how to file claims for additional support.

Find more support online at:

[smartcabinetry.com](https://smartcabinetry.com)

*Under the "Support" tab*





# INSTALLATION TIPS

## DO NOT STORE CABINETS IN A MOIST ENVIRONMENT

Wood products, especially one piece cabinet doors, absorb excess moisture in the air and can expand. These minor changes in size due to improper storage are not covered by Smart Cabinetry's limited 5 year warranty. Store cabinets in a dry and conditioned environment.

## ENSURE THE FLOOR IS LEVEL BEFORE STARTING ANY INSTALLATION

It will be necessary to locate any uneven areas and shim or scribe cabinets in order to make the installation plumb, true and square.

## START WITH WALL CABINETS AND BEGIN IN A CORNER

Measure from the corner to the first stud, and mark the measurement on the inside of the cabinet to be installed. Repeat this process for each and every stud. Drill a pilot hole through the back of the cabinet 3/4" down from the top and 3/4" up from the bottom. Fasten the cabinet to the wall with wood screws. Do not fully tighten the screws until all wall cabinets are in place.

## PROPERLY ATTACH ALL WALL CABINETS TO A SOFFIT

Affix to a permanent structure by running lag bolts through the top face frame into the "2 x" structure directly overhead.

If soffit does not exist, the cabinets must be attached to an adjoining cabinet which is affixed to a permanent interior structure. For end of run cabinets, install a tall end panel and attach to its frame establishing a "permanent" fixture which supports the cabinet.

When installing a blind cabinet, make sure the cabinet is pulled out from the wall the appropriate distance as called for in your kitchen plan. See page 28 and 38 for guidelines about blind cabinet pull distances.

## ADJUST CABINET DOORS EASILY WITH A PHILLIPS SCREWDRIVER

Rotate the micro screw nearest the door to adjust side to side. Loosen middle screw, align door, and tighten the screw to adjust the door's height. Finally, rotate the cam screw near the inside of the cabinet to adjust the depth of the door.

Find a more in depth installation guide, visit our website:

[smartcabinetry.com/cabinetinstallation.php](http://smartcabinetry.com/cabinetinstallation.php)

# CLEANING & CARE

A soft cotton cloth dampened with warm water is usually sufficient to clean your cabinets. If more thorough cleaning is required, use on the following cleaning solutions:

- A mixture of dish washing liquid and warm water.
- A mild all-purpose cleaner. Make sure it does not contain ammonia, silicone, or acid.

Use the mildest cleaning solution that will successfully clean your cabinets. Stronger products may damage or discolor your cabinet finish and are not recommended. After cleaning, wipe all surfaces with a clean, damp cloth. Dry immediately using another soft, clean cloth.

## SPLATTERS AND SPILLS

Clean spills and splatters immediately. Prolonged exposure to spills, including food, water, other liquids, oil, and grease splatters can cause permanent discoloration or damage to your cabinet's finish.

## CLEANING PRODUCTS TO AVOID

Avoid using the following products on your cabinets:

- Harsh chemicals including ammonia and bleach.
- Abrasive cleaning products such as tub and sink cleaners, scouring powder, scouring pads, or steel wool.
- Sponges or dish cloths. They may contain particles that could scratch your cabinets, or they may contain food and oil residue.
- Solvent-based or petroleum-based products such as mineral spirits, nail-polish removers or paint thinners.
- Silicone-based cleaning, waxing or polishing products.

## REGULAR DUSTING

Use a clean, soft and lint-free cotton cloth for regular dusting. Packaged dusting sheets are not required or recommended. Do not use pre-moistened dusting sheets, and do not use aerosol products made for dusting.

## WAXING AND POLISHING

Waxing is not required or recommended. Over time, waxing and polishing compounds may build up on the surface of your cabinets and cause a hazy, streaky or yellowed appearance.



# CLEANING & CARE

The cabinetry you have selected has its own personality and character, as well as a richness and depth in its color and grain.

You may notice the variations in the grain and color of your cabinet if you have selected a natural or light finish.

Variations will be less apparent with darker stains. Your cabinets have been constructed from carefully selected quality hardwoods. Because imperfections are part of the natural beauty of hardwood, and not the result of the manufacturing of your cabinets, your warranty cannot cover differences in color, grain and other natural variations. Nor can it cover possible differences in color when adding new cabinetry to old.

We encourage you to enjoy the natural beauty of solid wood and appreciate those characteristics that give it personality.

## CLEANING GLASS DOORS

Extra care is required when cleaning glass doors. Spray an ammonia-free glass cleaner on a clean, soft, lint-free cloth or paper towel. Do not spray cleaner directly on the glass. It could seep behind the window dividers and cause damage.

## SCRATCHES, GOUGES, AND NICKS

A touch-up kit is available to hide surface damage. Contact the sales representative or distributor where you purchased your cabinetry to purchase the color-matched touch-up kit for your specific cabinets. Use the kit's touchup pen to hide minor blemishes. Use the kit's tinted putty stick to fill deeper scratches, gouges or nicks. Detailed instructions are provided in each kit.

## AVOID MOISTURE DAMAGE

Avoid draping damp clothes or dish towels over cabinet doors. This moisture can cause permanent damage, such as peeling and discoloration, to the cabinet's finish.

## AVOID HEAT DAMAGE

The heat generated when using an oven's self-cleaning feature is much greater than during normal use. This heat can damage nearby cabinetry. Although this is a rare occurrence, you can minimize the risk of heat damage by removing cabinet doors and drawers nearest the oven before using its self-cleaning feature or by installing heat shields. See page 71.

## AVOID LIGHT DAMAGE

Exposure to direct sunlight tends to darken the color of natural wood products. Sunlight can also fade painted wood surfaces. You should consider draperies or blinds to shield your cabinets from direct sunlight.

Additional information about your cabinets can be found at:

[smartcabinetry.com/cabinetcare.php](http://smartcabinetry.com/cabinetcare.php)

# MINOR REPAIRS

You may encounter some unavoidable situations that create minor problems with your cabinetry. Before calling your dealer/installer for help, consider the following:

## **MINOR SCRATCHES OR DENTS IN YOUR CABINETRY CAN BE TREATED WITH A TOUCH UP KIT.**

For major damage like severe scratching, broken doors or drawers, paint spills, etc., call your dealer for help or replacement.

## **IF, OVER TIME, SCREWS BECOME LOOSE ON HINGES**

You can achieve a temporary fix by gluing a small diameter dowel rod into the hole using a high quality wood glue. Cut the dowel rod flush with the top of the screw hole and place into the hole. Let the glue dry and then replace the screw. Do not over tighten, or you will risk stripping it out again.

## **MINOR DOOR ALIGNMENT CAN BE CORRECTED BY ADJUSTING THE HINGES.**

Generally, when you open the cabinet door, you will find the side-to-side adjustment slot on the door part of the hinge and the up and down adjustment on the frame portion of the hinge. Simply tighten / loosen these screws to adjust the cabinet door.

## **MINOR ROUGHNESS**

Minor roughness in end grain can be corrected with "light weight sanding paper" and top coat. If concerned please call dealer.

In most cases your cabinetry is protected by our five year guarantee from the hardware manufacturer. For hinges and hardware that do not work properly, contact your dealer for assistance.

## **WHEN ADDING ADDITIONAL CABINETRY IN THE SAME ROOM AT A LATER DATE, CONSIDER THE FOLLOWING:**

To help minimize the color differences between any old and new units, place the new cabinetry on a different wall, so any color difference won't be as noticeable.

Replace existing trim and molding with darker/lighter wood to give the old and new cabinets a unified look. Experiment with multiple finishes in the same wood species for a new look.



# TROUBLESHOOTING GUIDE

Some problems that may arise during installation can be remedied with the following troubleshooting table.

**Important:** It is not advisable to install cabinets wider than 36 inches or deeper than 12 inches on a wall independently. If essential to ones kitchen, the installer of the kitchen must secure the cabinet to a permanent structure, i.e. interior wall.

**Important:** Structural modification of a wall cabinet can significantly weaken the cabinet. For this reason modifications to Smart Cabinetry are not recommended, such as cutting the back to clear wall obstructions. If an obstruction exists, we suggest you first try to use cabinet(s) that do not require modifications. If modification is required, the warranty of the cabinet is void and it is the responsibility of the installer to take appropriate steps to compensate for any loss of strength or support due to the modification.

**Soffit exists:** Install permanently to a soffit by running four #10 lag bolts 3" in length through the top face frame into the "2x" structure (x4, x6, x8 or larger and a minimum) directly to the overhead structure or ceiling joist.

**Soffit doesn't exist:** The cabinets must attach to an adjoining cabinet which is affixed to wall or permanent interior structure. If it is at the end of a cabinet run install a tall end panel (TEP) and attach to its frame establishing a "permanent" fixture supporting the cabinet permanently attached to the TEP which is permanently attached to the floor.

Failure to follow these instructions will void all warranties. The result could be the cabinet falling off the wall which becomes a liability not warranted by Smart Cabinetry.



SQUIRE | MAPLE | STANDARD OVERLAY | PAINTED IN ELEGANT WHITE



<b>PROBLEM</b>	<b>CAUSE</b>	<b>SOLUTION</b>
<b>Doors on a double door cabinet do not line up</b>	<i>Hinges are in need of adjustment</i>	Adjust hinges until cabinet doors line up properly. Consult <a href="http://www.smartcabinetry.com/hardware.php">www.smartcabinetry.com/hardware.php</a> for information regarding hardware adjustment.
	<i>Cabinet is out of square</i>	Loosen screws in back and use shims to make the cabinet plumb. Retighten screws. Overtightening screws will damage the cabinet backing. Slowly tighten until the head of the screw is flush with the back of the cabinet.
<b>Door is not flush to the face frame</b>	<i>Hinges are in need of adjustment</i>	Adjust hinges until cabinet doors line up properly. Consult <a href="http://www.smartcabinetry.com/hardware.php">www.smartcabinetry.com/hardware.php</a> for information regarding hardware adjustment.
	<i>Hinge(s) are twisted or bent</i>	Contact your dealer for support.
	<i>Cabinet door is warped</i>	Humidity levels can cause warping. Allow door to hang through one heating season. If it remains warped more than 1/4", call your dealer.
	<i>Cabinet is out of square</i>	Loosen screws in back and use shims to make the cabinet plumb. Retighten screws. Overtightening screws will damage the cabinet backing. Slowly tighten until the head of the screw is flush with the back of the cabinet.
<b>Drawer in not flush to the face frame</b>	<i>Drawer glide is misaligned</i>	Adjust drawer guide until drawer closes flush against frame. Consult <a href="http://www.smartcabinetry.com/hardware.php">www.smartcabinetry.com/hardware.php</a> for information regarding hardware adjustment.
	<i>Cabinet is out of square</i>	Loosen screws in back and use shims to make the cabinet plumb. Retighten screws. Overtightening screws will damage the cabinet backing. Slowly tighten until the head of the screw is flush with the back of the cabinet.
<b>Cabinet shelf is sagging in the middle</b>	<i>Shelf peg is not properly inserted</i>	Adjust pegs accordingly, insert on the back side of the middle wood frame section (center mullion). Use all shelf pegs in their proper positions.
<b>Scratches, nicks, or dents</b>	<i>Damage occurred during installation</i>	Contact your installer or dealer, touch up kits are available for order through your dealer.
	<i>Damage occurred during shipping</i>	See page 78, "What if my shipment is damaged?"



# CLAIMS INSTRUCTIONS

All claims must be initiated through a Smart Cabinetry customer (builder, dealer, or contractor). A Smart Claims Form can be found at [smartcabinetry.com/forms.php](http://smartcabinetry.com/forms.php). Claims are valid only when proper documents and documentation are provided. Documents include Smart Claims Form, Signed Bill of Lading (BOL), and pictures. To avoid delays in processing your claim, the correct original job number must be included on your Smart Claims Form. All claims and documentation must be submitted to [orders@smartcabinetry.com](mailto:orders@smartcabinetry.com).

Freight on claims paid at 100% will be covered by Smart Cabinetry. Freight on claims paid at 50% or that are fully chargeable will be billed at the customer's expense.

For questions regarding a claim, please contact [customerservice@smartcabinetry.com](mailto:customerservice@smartcabinetry.com).

## **MISSING ITEMS CLAIM** *MUST BE FILED WITHIN 7 BUSINESS DAYS OF DELIVERY*

A missing items claim is made when item(s) are missing at the time of delivery and documented on the BOL. A copy of the signed BOL and notation of missing item(s) are to be included with the claims form.

## **FREIGHT DAMAGE CLAIM** *MUST BE FILED WITHIN 7 BUSINESS DAYS OF DELIVERY*

A freight damage claim is made when there is visible damage at the time of delivery and documented on the BOL. Pictures showing damage, a copy of the signed BOL and notation of the item(s) damaged are to be included with the claims form.

## **CONCEALED DAMAGE CLAIM** *30 DAY NO HASSLE GUARANTEE*

A concealed damage claim is made when damage is not evident at the time of delivery but noticed upon opening of the item(s) packaging. Pictures showing damage and notation of the item(s) damaged are to be included with the claims form. Claims filed within 30 days of delivery will be paid at 100%. Claims filed after 30 days could be shared "proportionately" between organizations as a 50/50 split. Smart Cabinetry reserves the right to deny any concealed damage claims filed after 30 days.

## **MANUFACTURING DEFECT CLAIM**

A manufacturing defect claim is made when defects are in direct correlation to a defective component or manufacturing error. Pictures showing the defect and notation of the item(s) defective are to be included with the claims form. Manufacturing defects will be paid at 100% in accordance with our Limited 5 Year Warranty. It should be expected to see differences in wood characteristics on maple/oak cabinetry. Wood characteristics that naturally occur include tiger striping, knots, or variations in wood color. Wood characteristics are not considered a manufacturing defect. For concerns with excessive variations, please submit pictures and a claims form. Smart Cabinetry reserves the right to deny any claim due to wood characteristic concerns.

# LIMITED 5 YEAR WARRANTY

We know that a great deal of time, thought and investment goes into the selection of your cabinetry, and we truly appreciate your decision to purchase Smart Cabinetry products.

In the unlikely event you encounter a problem with your cabinetry, we are ready and eager to assist you, subject to the terms of this Limited Warranty.

Smart Cabinetry, provides this Limited Warranty to the original customer that either directly purchases our products, or that purchases our products through their third-party builder, dealer, or contractor (“Customer” or “you”).

## STATEMENT OF LIMITED WARRANTY

We firmly stand behind the quality of our products, and warrant to you, our Customer, that **our cabinetry will be free from defects in material and workmanship under ordinary use for a period of 5 years from the date of purchase.**

This Limited Warranty is extended to the original Customer only for use of the product within the United States. This Limited Warranty is not transferable. No changes or modifications can be made to this Limited Warranty except by a company officer.

## LIMITATIONS AND EXCLUSIONS

This Limited Warranty is limited to defects in material and workmanship and does not apply to:

- Damage caused by the improper installation of your cabinets.
- Damage, theft, or loss that occurs after we have properly delivered your cabinets to you, or your dealer, builder or contractor.
- Issues with other products used or installed in connection with your cabinets including, but not limited to, appliances, counter tops, or plumbing fixtures (including the costs to remove and reinstall such other products)
- Damage caused by misuse, abuse, neglect, accident, alteration, improper or non-residential use, exposure to moisture or extreme temperatures, or other environmental factors in your home, including smoke damage, failure to maintain or acts of God.
- Damage caused by misuse, abuse, neglect, accident, alteration, improper or non-residential use, exposure to moisture or extreme temperatures, or other environmental factors in your home, including smoke damage, failure to maintain or acts of God.
- Damage caused by ordinary wear and tear.

## NATURALLY OCCURRING VARIATIONS

**Wood products.** Our cabinets incorporate a variety of natural elements. Naturally occurring wood characteristics including, but not limited to, variations in color or grain pattern, mineral streaks and knots are not considered defects. Wood of all species is subject to the humidity and temperature of its environment and may expand or contract due to changes in weather, temperature, or climate. Due to these ordinary shifts in the environment, wood cabinetry may develop hairline cracks or separation or seam lines. These ordinary variations are not considered quality defects and are not covered by this Limited Warranty.

**Wood finishes.** Color and finish may be affected by age, character of cabinets, and exposure to UV light, sunlight, smoke, household cleaners, and other environmental conditions.



**Painted finishes.** Painted finishes have unique characteristics that differ from standard wood finishes. This includes hairline cracks, including, but not limited to, joints and seams, and some natural characteristics of the wood including, but not limited to, grain patterns, knots, and mineral streaks which will remain visible through painted finishes. As painted cabinet products age, the finish may mellow or discolor slightly. The degree of change to the original finish color is affected by the products' exposure to natural and artificial light and other environmental factors in the home.

Because of these natural characteristics, new and/or replacement cabinets may not match showroom displays, color chip samples, photographs in a catalog or website and/or existing cabinets in your home. Any such variations and changes to our products, whether present during production or which develop over time, are not considered defects and are not covered by this Limited Warranty.

## WARRANTY PERFORMANCE

In the event of a defect in material or workmanship within the terms and conditions set forth herein, we will repair or replace the product, at our sole option, without charge. If the affected product is no longer available, Smart Cabinetry reserves the right to: (i) replace the affected component with a new component of a similar style, or (ii) replace the affected component and any other component within the total product to achieve a uniform appearance with as similar and comparable product style and quality as possible to the original product.

We cannot guarantee that replacements will match the finish and appearance of the original product. Our warranty extends solely to the product. We are not responsible for the cost of: (i) removal of defective product, (ii) installation of repaired or replaced product, or (iii) removal or installation of appliances, plumbing, flooring, or other fixtures. Repaired or replaced product shall be warranted for a period equal to the remaining period of the original Limited Warranty on the product or for ninety days, whichever is longer.

## LIMITED WARRANTY DISCLAIMER

**THIS LIMITED WARRANTY SETS OUT THE FULL EXTENT OF SMART CABINETRY'S RESPONSIBILITIES, AND THE EXCLUSIVE REMEDY REGARDING THE PRODUCTS. ALL IMPLIED WARRANTIES, INCLUDING WITHOUT LIMITATION, IMPLIED WARRANTIES OF MERCHANTABILITY AND FITNESS FOR A PARTICULAR PURPOSE, ARE LIMITED TO THE DURATION OF THIS LIMITED WARRANTY. IN NO EVENT SHALL SMART CABINETRY BE LIABLE FOR DAMAGES IN EXCESS OF THE PURCHASE PRICE OF THE PRODUCT OR FOR, WITHOUT LIMITATION, COMMERCIAL LOSS OF ANY SORT; LOSS OF USE, TIME, DATA, REPUTATION,**

**OPPORTUNITY, GOODWILL, PROFITS OR SAVINGS; INCONVENIENCE; INCIDENTAL, SPECIAL, CONSEQUENTIAL OR PUNITIVE DAMAGES; OR DAMAGES ARISING FROM THE USE OR INABILITY TO USE THE PRODUCT. SOME STATES AND JURISDICTIONS DO NOT ALLOW LIMITATIONS ON HOW LONG AN IMPLIED WARRANTY LASTS, OR THE DISCLAIMER OR LIMITATION OF INCIDENTAL OR CONSEQUENTIAL DAMAGES, SO THE ABOVE LIMITATIONS AND DISCLAIMERS MAY NOT APPLY TO YOU. IF ANY PORTION OF THIS LIMITED WARRANTY IS HELD TO BE ILLEGAL OR UNENFORCEABLE, SUCH PARTIAL ILLEGALITY OR UNENFORCEABILITY SHALL NOT AFFECT THE ENFORCEABILITY OF THE REMAINDER OF THE LIMITED WARRANTY.**

## CLAIMS

Registration of your warranty is available to help expedite any claim, and will allow us to communicate to you directly regarding our products.

To initiate a claim, contact your builder, dealer, or contractor.

If you cannot initiate your claim through your place of purchase or if you have difficulty obtaining assistance, you may submit a claim in writing to:

Smart Cabinetry  
Customer Service Department  
70680 CR-23, New Paris, IN 46553  
574-831-5010  
customerservice@smartcabinetry.com

All claims must be submitted in writing and must specify all issues you have with your cabinets. Pictures are also very helpful to assist in processing your claim. Once Smart Cabinetry has had an opportunity to review your claim, we will, at our sole discretion, either replace defective cabinets and accessories or repair any defects in the cabinets and accessories within a commercially reasonable period of time.

Smart Cabinetry is a product of Smart LLC, located at 70680 CR-23 New Paris, Indiana 46553 and reached at 574-831-5010.

This Limited Warranty is effective for products purchased on or after March 1, 2024.







©2024 CABINETWORKS GROUP MICHIGAN, LLC. ALL RIGHTS RESERVED.  
©2024 SMART CABINETRY

SMARTCABINETRY.COM  
70680 CR-23 NEW PARIS, IN 46553

